

MFG. ENG.	APPROVED BY:	DATE:	QA	APPROVED BY:	DATE:
-----------	--------------	-------	----	--------------	-------

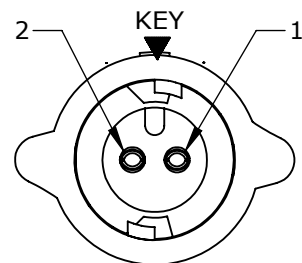
ASS'Y P/N	CONTACT QTY.	CABLE O.D. RANGE
W16282-2SG-P-311	2	0.09 - 0.14 [2.3 - 3.6]
W16282-2SG-P-315	2	0.15 - 0.17 [3.8 - 4.3]
W16282-2SG-P-318	2	0.18 - 0.20 [4.6 - 5.1]
W16282-3SG-P-311	3	0.09 - 0.14 [2.3 - 3.6]
W16282-3SG-P-315	3	0.15 - 0.17 [3.8 - 4.3]
W16282-3SG-P-318	3	0.18 - 0.20 [4.6 - 5.1]
W16282-XSG-P-3XX		

NOTES:

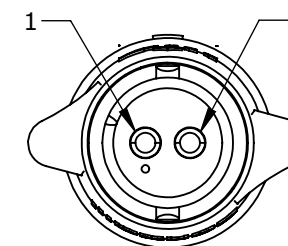
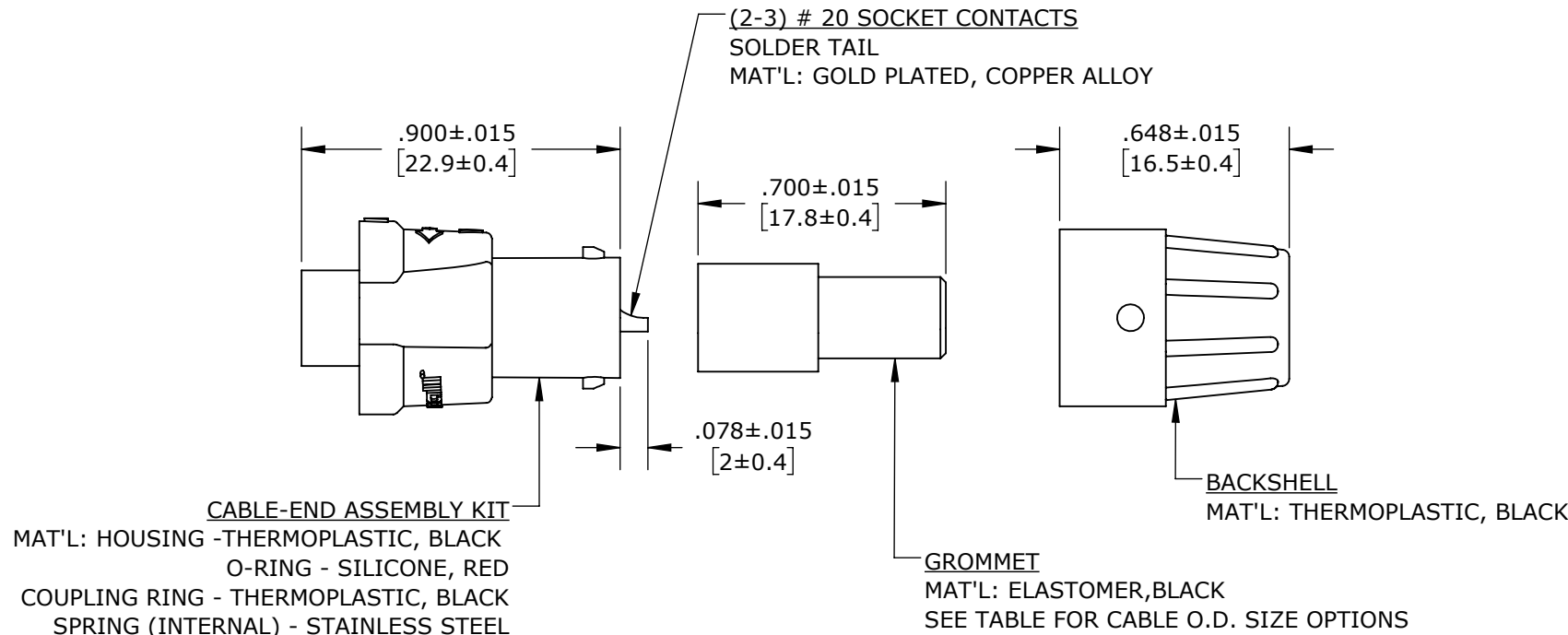
1. ALL PARTS ARE BULK PACKED.
2. REFER TO DRAWING HPMCSTD FOR CONTACT PATTERNS.
3. ALL DIMENSIONS ARE REFERENCE ONLY IN INCHES [mm], WITHIN ±0.015 UNLESS OTHERWISE NOTED.

OF CONTACTS

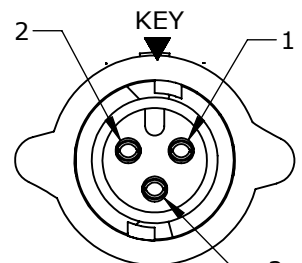
GROMMET SIZE = CABLE O.D. RANGE:
 311 = 0.09 - 0.14 [2.3 - 3.6]
 315 = 0.15 - 0.17 [3.8 - 4.3]
 318 = 0.18 - 0.20 [4.6 - 5.1]



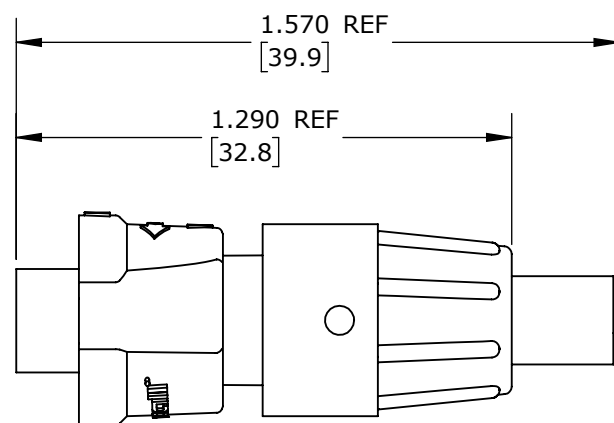
FACE VIEW
W16282-2SG-P-3XX



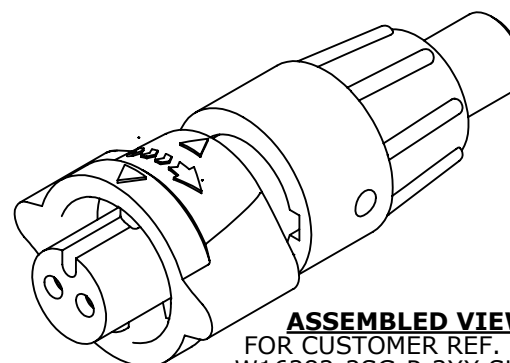
WIRING VIEW
W16282-2SG-P-3XX



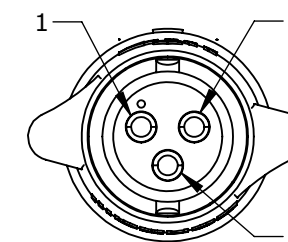
FACE VIEW
W16282-3SG-P-3XX



ASSEMBLED VIEW
FOR CUSTOMER REF. ONLY



ASSEMBLED VIEW
FOR CUSTOMER REF. ONLY
W16282-2SG-P-3XX SHOWN



WIRING VIEW
W16282-3SG-P-3XX

CUSTOMER APPROVAL

THIS DOCUMENT CONTAINS CONFIDENTIAL INFORMATION PROPRIETARY TO CONXALL CORPORATION. ANY REPRODUCTION, DISCLOSURE, OR USE OF THIS DOCUMENT /INFORMATION IS EXPRESSLY PROHIBITED UNLESS AUTHORIZED IN WRITING BY CONXALL CORPORATION.

APPROVED BY: _____
 DATE: _____

RoHS COMPLIANT

DIMENSIONS IS BRACKETS [] ARE METRIC

PRELIMINARY

0A	JGK	09/06/19	DRAWING CREATED FOR PDR #18004.		
REV.	INIT.	DATE	DESCRIPTION		
	JGK	9/06/19	ALL INFORMATION ILLUSTRATED IS THE PROPERTY OF "CONXALL CORPORATION." UNAUTHORIZED DUPLICATION OR DISTRIBUTION OF THIS DOCUMENT IS PROHIBITED.		
APPROVED BY:					
ALL UNITS ARE IN FEET, INCHES, FRACTION OF INCHES AND DECIMALS. UNLESS OTHERWISE SPECIFIED TOLERANCES: 3 PLACE DECIMALS ±.005 ANGLES ±1° FRACTIONS ±1/16 ▽ - CRITICAL CHARACTERISTIC FLAG PER SPEC. XXXX			SCALE	SIZE	SHEET
FILE: W16282-XSG-P-3XX			NTS	B	1 OF 1
DIRECTORY: SLW			TITLE: CABLE-END ASSEMBLY 2-3 #20 SOCKET CONTACTS, SOLDER INSTA-CLICK, MICRO-CON-X STANDARD PRODUCT		
PART NUMBER: W16282-XSG-P-3XX			CUSTOMER: _____		
REV 0A			REV 0A		

CUSTOMER PRINT

PART NUMBER: W16282-XSG-P-3XX