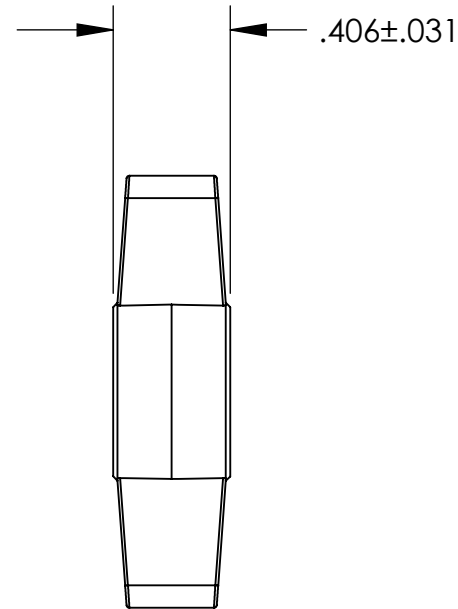
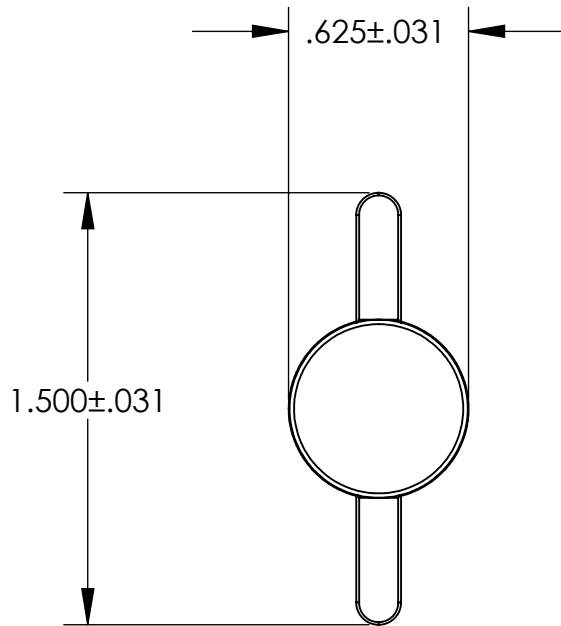


UNCONTROLLED DOCUMENT



NOTE:
PRESSES ONTO 5/16" SOCKET HEAD CAP SCREW.

TOLERANCES UNLESS NOTED

- $\pm .005$ ON DIMENSIONS THRU $.625$
- $\pm .008$ ON DIMENSIONS $.626$ THRU 1.000
- $\pm .010$ ON DIMENSIONS 1.001 THRU 1.500
- $\pm .015$ ON DIMENSIONS LARGER THAN 1.500
- $\pm .015$ ON FRACTIONAL DIMENSIONS

WE RESERVE THE RIGHT
TO DISCONTINUE ITEMS,
CHANGE SPECIFICATIONS
OR DESIGN AT ANY TIME
WITHOUT NOTICE AND
WITHOUT INCURRING
ANY OBLIGATIONS

PROPERTY OF
MICRO PLASTICS INC.

CATALOG DRAWING
WING HEAD KNOB
MICRO P/N 29W516B
DWG. # 29W516B
FILE SERVER\ENG\WEB

MATERIAL: ACETAL; BLACK

DATE

SCALE
1.5:1

DB