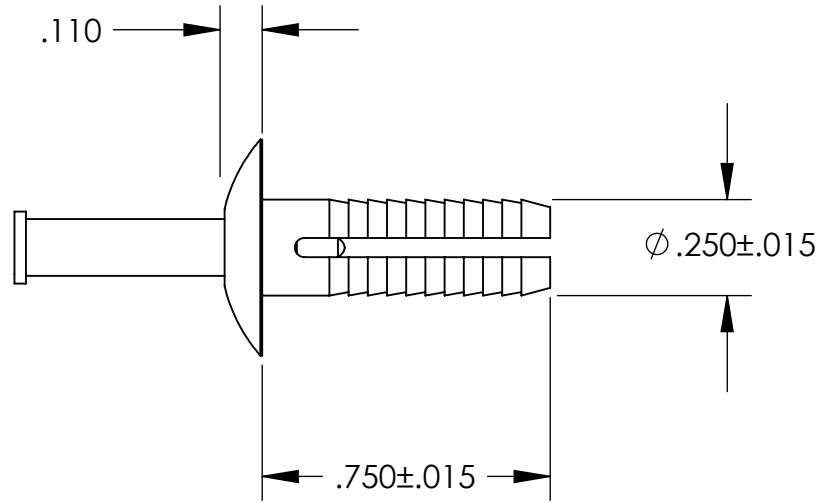
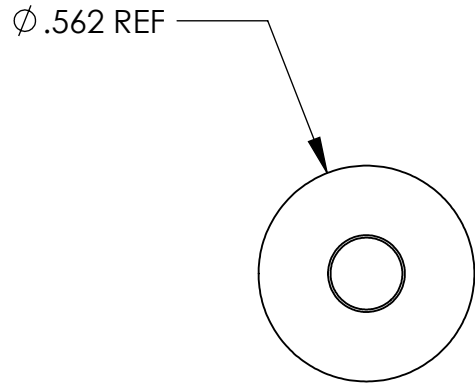


UNCONTROLLED DOCUMENT



NOTES:
 HEAD STYLE - MUSHROOM
 DRIVE PIN - ACETAL
 ANCHOR RIVET - HIGH IMPACT MODIFIED NYLON TYPE 6/6

TOLERANCES UNLESS NOTED

- ±.005 ON DIMENSIONS THRU .625
- ±.008 ON DIMENSIONS .626 THRU 1.000
- ±.010 ON DIMENSIONS 1.001 THRU 1.500
- ±.015 ON DIMENSIONS LARGER THAN 1.500
- ±.015 ON FRACTIONAL DIMENSIONS

WE RESERVE THE RIGHT
 TO DISCONTINUE ITEMS,
 CHANGE SPECIFICATIONS
 OR DESIGN AT ANY TIME
 WITHOUT NOTICE AND
 WITHOUT INCURRING
 ANY OBLIGATIONS

PROPERTY OF		
MICRO PLASTICS INC.		
CATALOG DRAWING TWO PIECE ANCHOR RIVET MICRO P/N 61APM25075 DWG. # 61APM25075 FILE SERVER\ENG\WEB		
MATERIAL:		SEE NOTES
DATE	SCALE 2:1	DSB