

**Programmable Operator Interface**

# MONITOUCH

**Consolidating Essential Functionality while Enhancing Operability and Visibility**

## TECHNOSHOT TS1000 Smart series

- WVGA
- 64K Colors
- TFT
- LED Backlight
- 3ch Serial
- Master/Slave USB
- Ethernet

- Supports remote operation via VNC server
- CE/KC/UL/cUL compliant
- FROM capacity significantly expanded by 2.2 times\* (26 MB)

\*Compared with TS1000 series



### Specifications

Item		TS1070Si	TS1100Si
Main unit specifications	Screen size	7.0" widescreen	10.2" widescreen
	Display device	TFT color	
	Resolution	800 × 480 dots	
	Colors	65,536 colors	
	Backlight	LED	
	Touch screen	Analog resistive	
	Certifications	CE/KC/UL/cUL	
	User memory	FROM	26 MB
SRAM		128 KB	
External interface specifications	COM1 D-Sub 9 pin (female)	RS-422/RS-485 (4-wire/2-wire) Data length: 7, 8 bits Parity: Even, odd, none Stop bit: 1, 2 bits Baud rate: 4800, 9600, 19200, 38400, 57600, 76800, 115200, 187500*1bps	
	COM2/COM3 D-Sub 9 pin (male)	COM2: RS-232C COM3: RS-422/RS-485 (2-wire) Data length: 7, 8 bits Parity: Even, odd, none Stop bit: 1, 2 bits Baud rate: 4800, 9600, 19200, 38400, 57600, 76800, 115200 bps	
	LAN RJ-45	1 ch	
	USB-A	1 ch	
	USB mini-B	1 ch	
Power supply	Permissible range of voltage	24 V DC ±10%	
	Power consumption (max. rating)	11W or less	12W or less
Physical environment	Ambient temperature	0 to 50°C*2	
	Ambient humidity	85% RH or lower (non-condensing)*2	
	Contamination level	2	
	Operation altitude	2,000 m or less	
	Atmosphere	Not to be exposed to corrosive gas, or conductive dust	
	Storage ambient temperature	-10 to 60°C*2	
	Storage ambient humidity	85% RH or lower (non-condensing)*2	
Installation conditions	Protective structure	Panel front	IP65 equivalent (when using waterproof gasket*3), IP40 equivalent (when not using waterproof gasket*3)
		Rear case	IP20 equivalent
	Dimensions W × H × D	198.8 × 141.8 × 38.0 mm	266.8 × 206.8 × 38.0 mm
	Panel cutout	189.0 × 134.0 (+0.5/-0) mm	257.0 × 199.0 (+0.5/-0) mm
Case color		Black	

\*1 187500 bps is only relevant to Siemens AG MPI/PP1 communications.

\*2 Use at a wet-bulb temperature of 39°C or lower to avoid any damage.

\*3 This is an optional item.

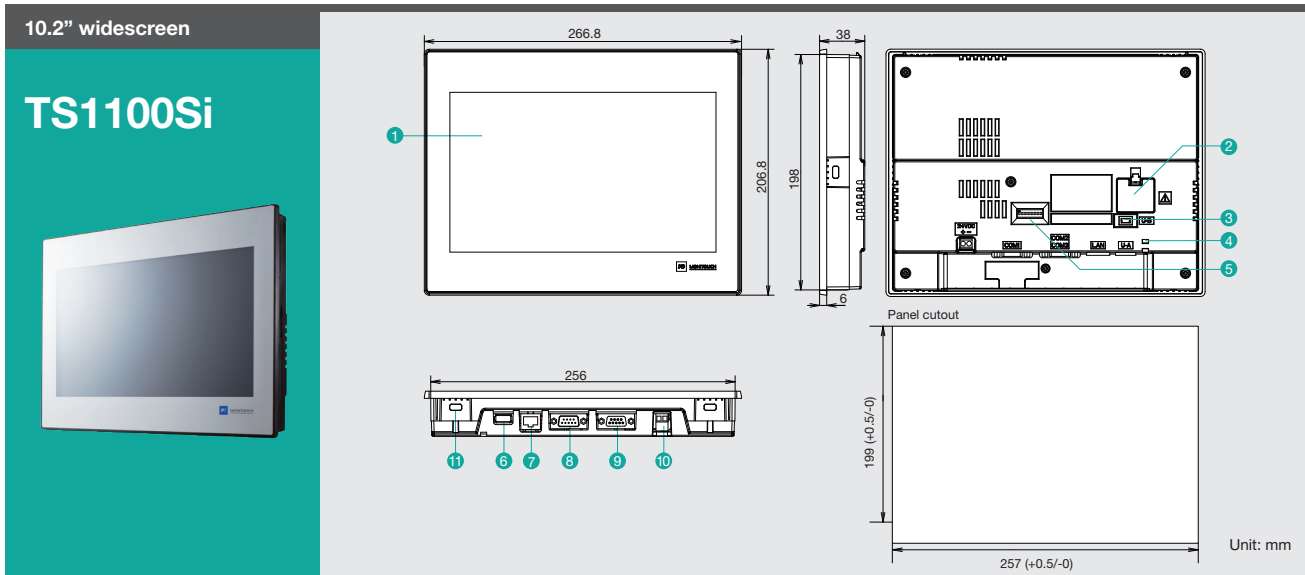
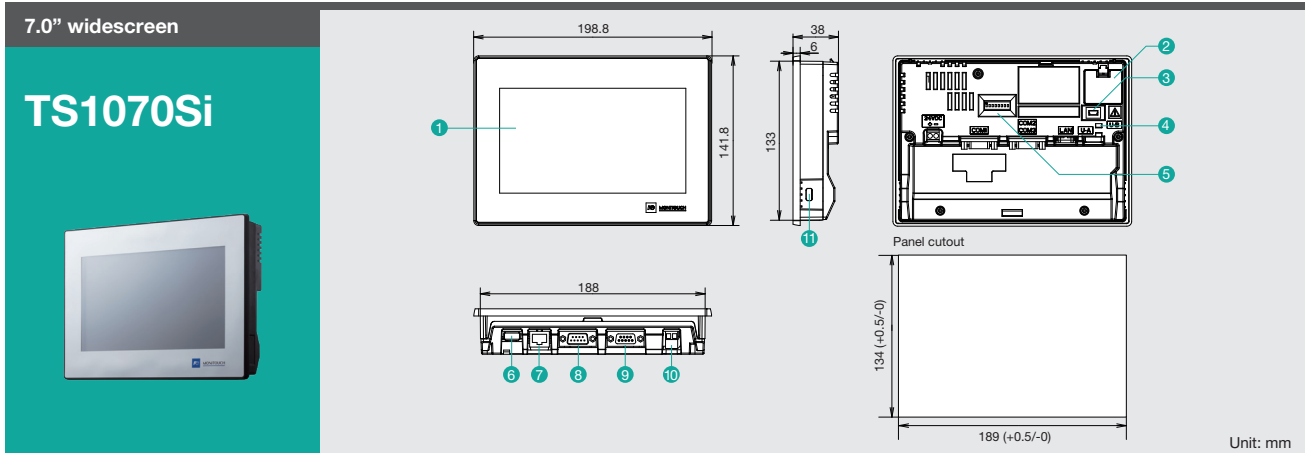


Model

**T S 1**   **0 S i**

Display size  
07: 7.0" widescreen  
10: 10.2" widescreen

## Dimensions and Part Names



### Part Names

- |                       |                                           |                                               |
|-----------------------|-------------------------------------------|-----------------------------------------------|
| ① Display             | ⑤ Dip switch                              | ⑧ RS-232C/RS-422/RS-485 connector (COM2/COM3) |
| ② Battery compartment | ⑥ USB-A (U-A)                             | ⑨ RS-422/RS-485 connector (COM1)              |
| ③ USB mini-B (U-B)    | ⑦ Ethernet port 100BASE-TX/10BASE-T (LAN) | ⑩ Power input terminal block                  |
| ④ USB cable retention |                                           | ⑪ Mounting point                              |

## Fuji Electric Co., Ltd.

Fuji Electric Corp. of America  
50 Northfield Avenue, Edison, NJ 08837  
Phone : (732) 560-9410  
Fax : (201) 368-8258