

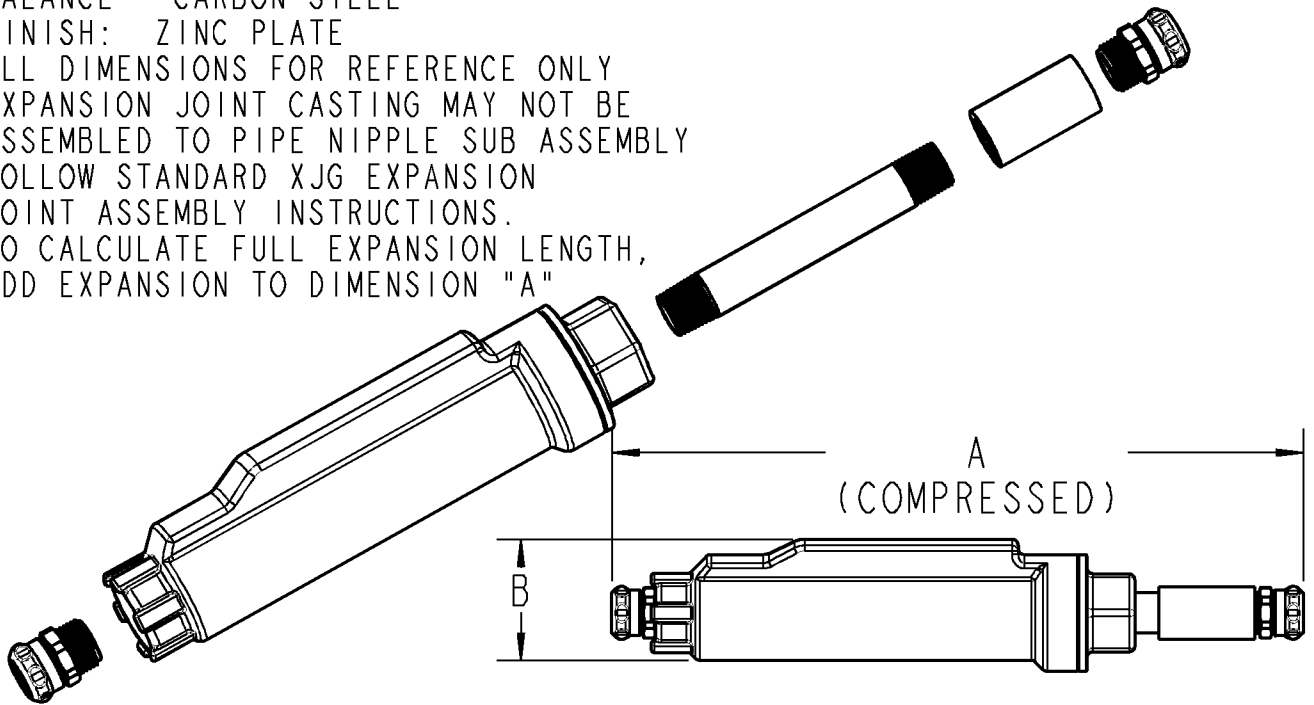


# T&B Fittings



## NOTES:

1. MATERIAL: EXPANSION JOINT - CAST IRON  
BALANCE - CARBON STEEL
2. FINISH: ZINC PLATE
3. ALL DIMENSIONS FOR REFERENCE ONLY
4. EXPANSION JOINT CASTING MAY NOT BE ASSEMBLED TO PIPE NIPPLE SUB ASSEMBLY FOLLOW STANDARD XJG EXPANSION JOINT ASSEMBLY INSTRUCTIONS.
5. TO CALCULATE FULL EXPANSION LENGTH, ADD EXPANSION TO DIMENSION "A"



XJG108-EMT	8" (203.2)	4" (103)	29.30 (743.9)	6.75 (171.5)
XJG104-EMT	4" (101.6)	4" (103)	29.30 (743.9)	6.75 (171.5)
XJG98-EMT	8" (203.2)	3-1/2" (91)	28.70 (728.9)	6.00 (152.4)
XJG94-EMT	4" (101.6)	3-1/2" (91)	28.70 (728.9)	6.00 (152.4)
XJG88-EMT	8" (203.2)	3" (78)	28.09 (713.5)	5.25 (133.4)
XJG84-EMT	4" (101.6)	3" (78)	24.09 (611.9)	5.25 (133.4)
XJG78-EMT	8" (203.2)	2-1/2" (63)	27.23 (691.6)	4.52 (114.8)
XJG74-EMT	4" (101.6)	2-1/2" (63)	23.23 (589.9)	4.52 (114.8)
XJG68-EMT	8" (203.2)	2" (53)	23.04 (585.2)	4.18 (106.2)
XJG64-EMT	4" (101.6)	2" (53)	19.04 (483.6)	4.18 (106.2)
XJG58-EMT	8" (203.2)	1-1/2" (41)	22.69 (576.3)	3.68 (93.4)
XJG54-EMT	4" (101.6)	1-1/2" (41)	18.69 (474.7)	3.68 (93.4)
XJG48-EMT	8" (203.2)	1-1/4" (35)	22.27 (565.7)	3.46 (87.88)
XJG44-EMT	4" (101.6)	1-1/4" (35)	18.27 (464.1)	3.46 (87.88)
XJG38-EMT	8" (203.2)	1" (27)	21.42 (544.1)	2.99 (75.9)
XJG34-EMT	4" (101.6)	1" (27)	17.42 (442.5)	2.99 (75.9)
XJG28-EMT	8" (203.2)	3/4" (21)	21.39 (543.3)	2.75 (69.8)
XJG24-EMT	4" (101.6)	3/4" (21)	17.39 (441.7)	2.75 (69.8)
CAT #	EXPANSION	SIZE	A +/- .060"	B +/- .060"

### GENERAL NOTES

1. ALL DIMENSIONS ARE FOR REFERENCE ONLY.
2. DIMENSIONS IN BRACKETS [ ] ARE IN METRIC UNITS.

### REVISIONS

- |   |  |
|---|--|
| - | SEE ERN (****) FOR APPROVAL SIGNATURES & RELEASE DATE.<br>PROJECT NO: **** |
|---|--|

**Thomas & Betts**  
www.tnb.com

DESCRIPTION:

**EXPANSION JOINT  
FOR USE WITH EMT**

ORIGINAL PROJECT NO / ( ERN NO )

**RD55724 / ( 2007290 )**

SHEET NO:

**1 OF 1**

REV. NO:

**-**

DRAWING NO:

**WSD-000298**