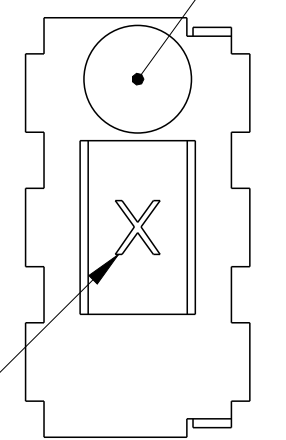


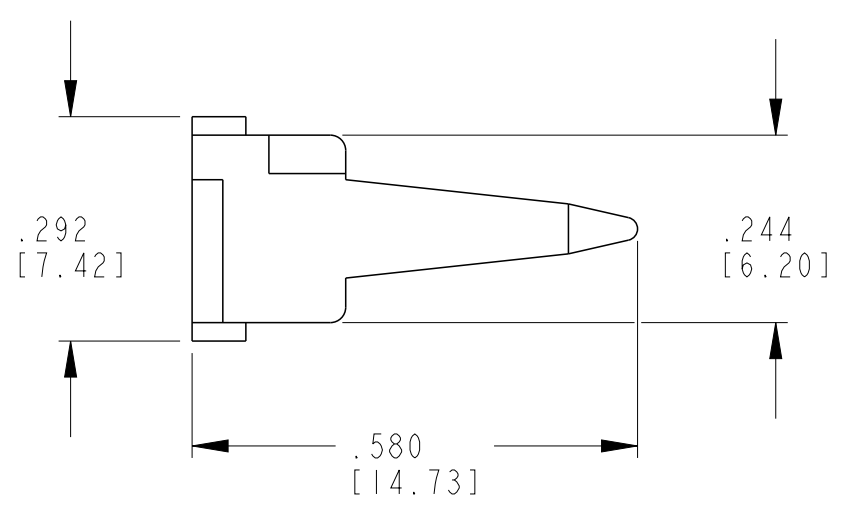
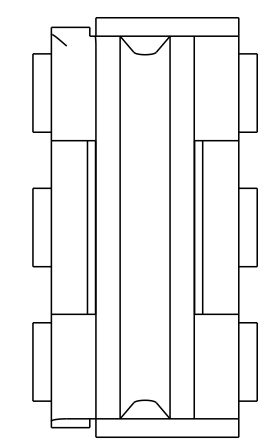
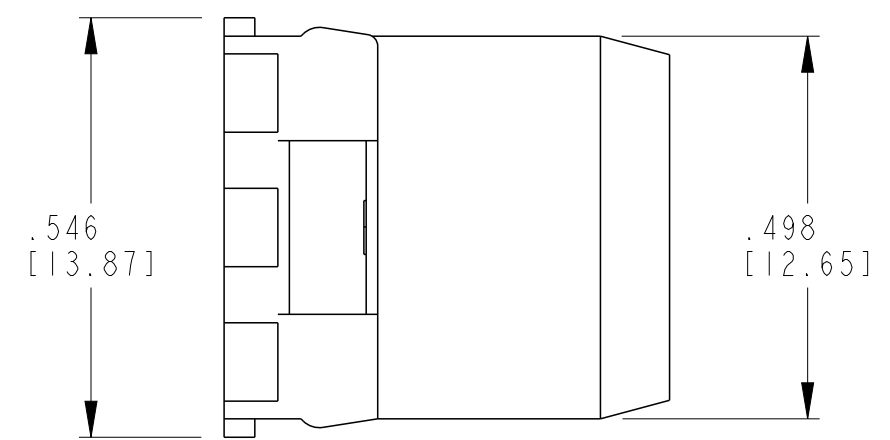
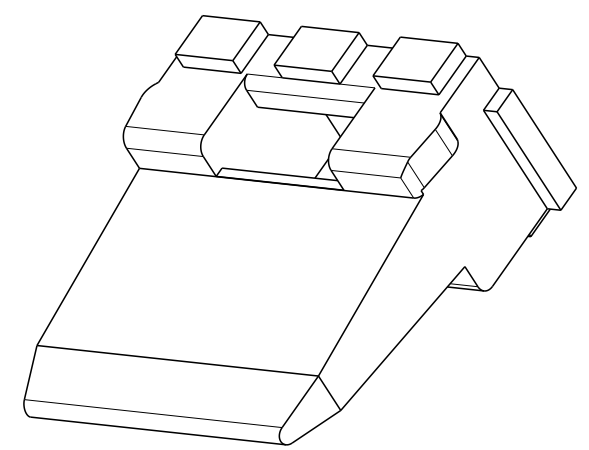
THIS DRAWING IS UNPUBLISHED. RELEASED FOR PUBLICATION 2013
 © COPYRIGHT 2013 TE CONNECTIVITY ALL RIGHTS RESERVED.

LOC	DIST	REVISIONS				
P	LTR	DESCRIPTION	DATE	DWN	APVD	
-	-	A	REVISED PER EO P15887	2-15-99	-	RDR
		B	REVISED PER EO P21310	4-26-12	RLM	RDR
		C	REVISED PER ECO-13-013634	8-26-13	RLM	DM
		CI	REVISED PER ECO-14-005288	4-9-14	PV	DM

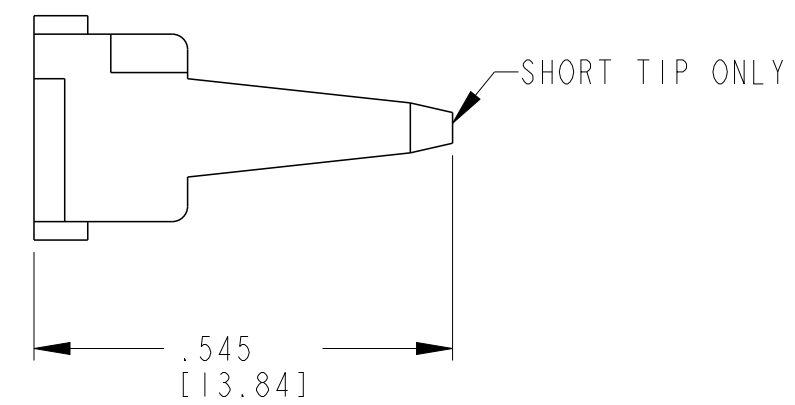
OPTIONAL GATE VESTIGE APPROX. AS SHOWN



CAVITY I.D. APPROX. AS SHOWN.



OPTIONAL CONFIGURATION



1. USED WITH DT04-6P-**** (**** = ALL MODIFICATIONS). CONSULT FACTORY FOR MODIFICATIONS AND APPLICATION.

THIS DRAWING IS A CONTROLLED DOCUMENT.		DWN 16AUG2013 R. MESSENGER			
DIMENSIONS: INCHES [mm]		CHK 28MAR2014 R. MESSENGER			
TOLERANCES UNLESS OTHERWISE SPECIFIED:		APVD 28MAR2014 D. MEYER	NAME WEDGE LOCK 6 WAY RECEPTACLE DT SERIES		
		PRODUCT SPEC -	RESTRICTED TO -		
0 PLC ±- 1 PLC ±- 2 PLC ±- 3 PLC ±0.010 [0.25] 4 PLC ±- ANGLES ±0°30'0"		APPLICATION SPEC -	SIZE A3	CAGE CODE 4AFU8	DRAWING NO G-W6P
MATERIAL PLASTIC GREEN		FINISH -	WEIGHT 0.84 g	CUSTOMER DRAWING	
			SCALE 4:1	SHEET 1	OF 1
			REV CI		