

2825

30 Amp, 277/480 Volt 3-Phase Y, NEMA L22-30P, 4P, 5W, Flanged Inlet Locking Receptacle, Industrial Grade, Grounding - WHITE

Leviton's industry leading locking devices, such as our Black & White line of industrial grade plugs and connectors and our V-0-Max line of industrial grade flush receptacles, offer superior performance, long lasting reliability and other features that are backed by a lifetime warranty.



UPC Code : 078477806579

Country Of Origin : United States



Technical Information

AC Horsepower Ratings

At Rated Voltage : 10 HP

Electrical Specifications

Amperage : 30 A

Current Limiting : Full Rated Current

Dielectric Voltage : Withstands 2000V per UL498

Grounding : Grounding

Phase : 3-Phase WYE

Pole : 4

Temperature Rise : Max 30C after 250 cycles OL at 200 percent rated current

Voltage : 277/480 VAC

Wire : 5

Environmental Specifications

Environment : Dry

Flammability : Rated V-2 per UL 94

Operating Temperature : -40°C to 60°C

Material Specifications

Body Material : Nylon

Color : White

Face Material : Nylon

Grounding Screw : Brass 8-32

Line Contacts : Solid Brass

Strap Material : Thermoplastic Nylon

Terminal Screws : Brass 10-32

Mechanical Specifications

Product ID : Ratings and NEMA I.D. permanently marked on device

Terminal Accom. : 18-10 AWG

Terminal ID : Brass-Hot, Green-Ground, Silver-Neutral

Termination : Back

Product Features

Brand : Black and White

Color : White

Device Type : Locking Flanged Inlet

NEMA : L22-30P

Standards and Certifications

ANSI : C-73

CSA C22.2 No. 42 : File LR-406

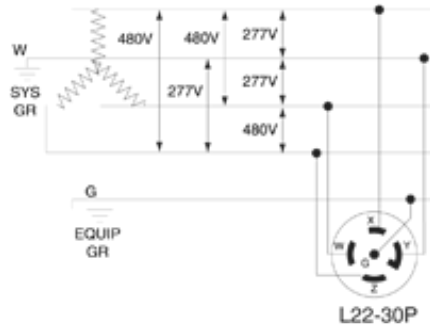
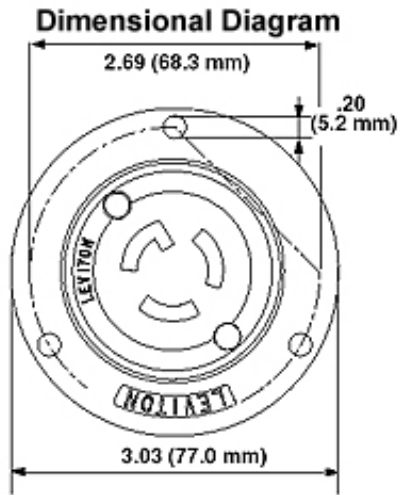
NEMA : WD-6

NOM : 057

UL Fed Spec WC-596 : File E13393

UL498 : File E13393

Warranty : Limited Lifetime Warranty



SPECIFICATION SUBMITTAL

JOB NAME: <input type="text"/>	CATALOG NUMBERS: <input type="text"/>	
JOB NUMBER: <input type="text"/>	<input type="text"/>	<input type="text"/>

Leviton Manufacturing Co., Inc.

201 North Service Road, Melville, NY 11747

Telephone: +1-800-323-8920 · FAX: +1-800-832-9538 · Tech Line (8:30AM-7:30PM E.S.T. Monday-Friday):

+1-800-824-3005

Leviton Manufacturing of Canada, Ltd.

165 Hymus Boulevard, Pointe Claire, Quebec H9R 1E9 · Telephone: +1-800-469-7890 ·

FAX: +1-800-824-3005 · www.leviton.com/canada

Leviton S. de R.L. de C.V.

Lago Tana 43, Mexico DF, Mexico CP 11290 · Tel.: (+52)55-5082-1040 · FAX: (+52)5386-

1797 · www.leviton.com.mx

Visit our Website at: www.leviton.com

© 2018 Leviton Manufacturing Co., Inc. All Rights Reserved. Subject to change without notice.

Leviton has a global presence.

If you would like to know where your local Leviton office is located please go to:

www.leviton.com/international/contacts/

