

Datasheet

**RS Pro Fuse Blade, For Mini Blade Auto Fuse Block**

Stock No: 1884477,1884617

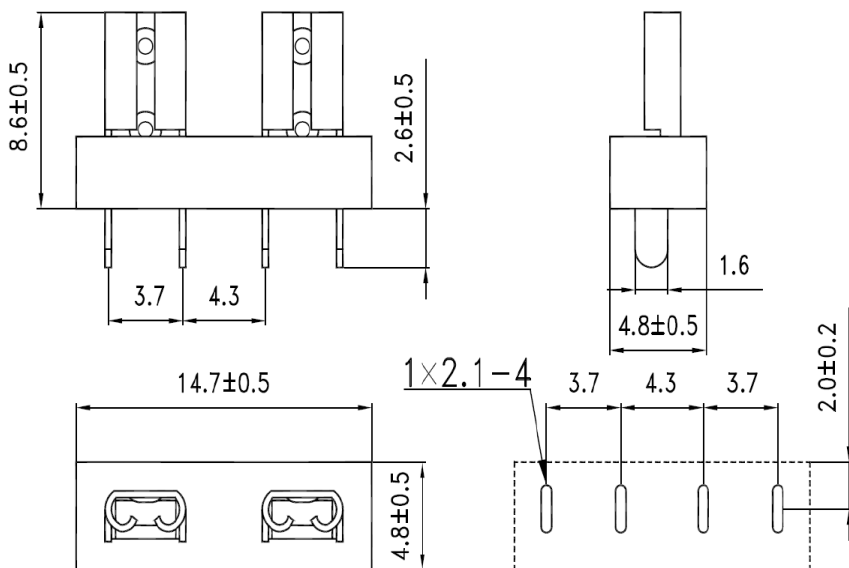


**Specifications:**

**Materials**

Nylon · Tin Plated Brass

**Drawing (mm):**



Tolerance : ±0.2



ENGLISH

## Electrical Characteristic:

Rated Current / Voltage : 20A / 250V ◦  
Dielectric Strength : AC 500V Min(60 Seconds).  
Insulation Resistance : 100M $\Omega$  Min (at 500V DC).  
Temperature Rise : 50°C Max (Using a shorting bar test)  
Voltage Drop : 20mV Max.  
Insulation body : Flame retarding UL 94 V-0.

## Reference:

| Stock No | Rating amperes |
|----------|----------------|
| 1884477  | 20A 250V       |
| 1884617  | 20A 250V       |