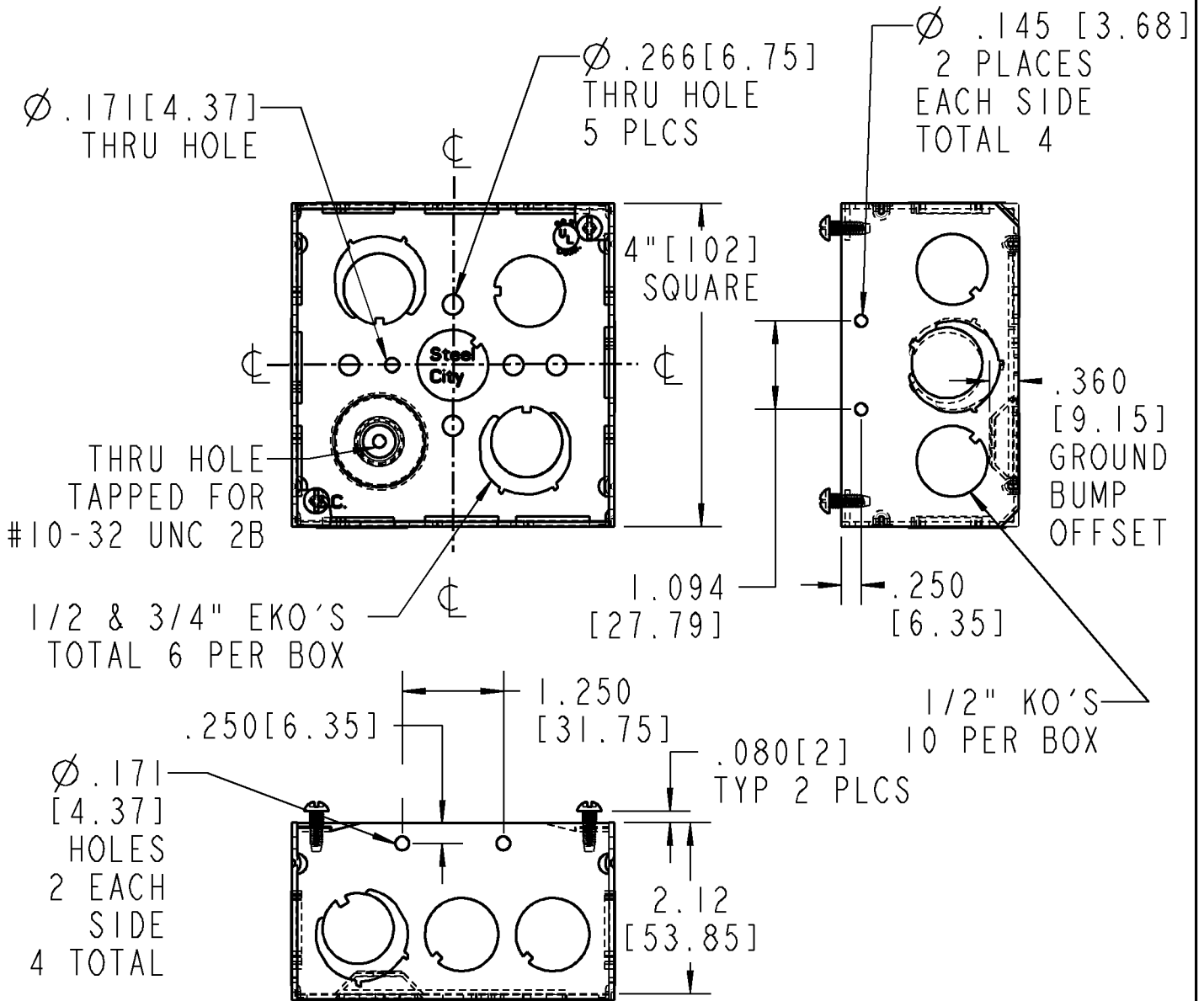




Steel City



NOTES:

- 1- MATERIAL TO BE .063" [1.60] THICK HOT ROLLED C-1008 GALVANIZED STEEL PER G90-U.
- 2-PUNCHED THRU HOLES FOR STUD OR BRACKET MOUNTINGS.

CATALOG NUMBER; 521711234E

GENERAL NOTES		Thomas & Betts <small>www.tnb.com</small>			
1. ALL DIMENSIONS ARE FOR REFERENCE ONLY. 2. DIMENSIONS IN BRACKETS [] ARE IN METRIC UNITS.					
REVISIONS		DESCRIPTION: WELDED 4" SQUARE 2-1/8" DEEP BOX WITH 1/2 & 3/4 EKO'S AND RAISED GROUND BUMP			
** SEE ERN (****) FOR APPROVAL SIGNATURES & RELEASE DATE. PROJECT NO: ****		ORIGINAL PROJECT NO / (ERN NO) NM400387 / (2012925)	SHEET NO: 1 OF 1	REV. NO: -	DRAWING NO: WSD-001023