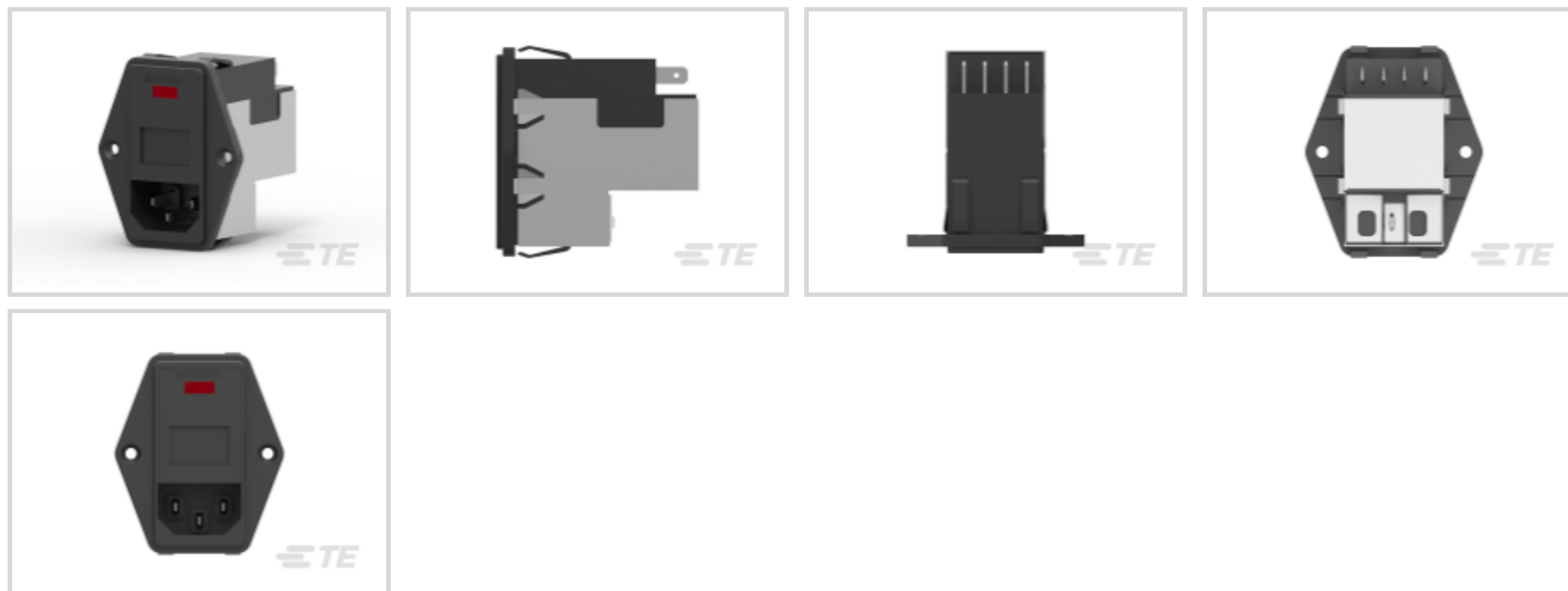




EMI Filters > Multi-Function Inlet Filters > CORCOM P SERIES MULTI-FUNCTION INLET FIL



Filter Type: **Power Entry (Filtered/Unfiltered)**

Voltage Selection: **Single**

Input Voltage Select: **Single AC**

Switch Type: **None**

Shield Style: **Filter Shield**

[All CORCOM P SERIES MULTI-FUNCTION INLET FIL \(300\)](#)

## Features

### Product Type Features

Ground Choke Option	No
Level Of Filtering	Inductor & Capacitor
Ground Option	None
Filter Type	Power Entry (Filtered/Unfiltered)
Switch Type	None
Input Type	IEC
Output Type	.187" FASTON
Filtered	Yes
Type of Connector	IEC 60320-1 C-14
Accessory Type	Fuse Clip

### Configuration Features

Extender Options	None
Voltage Selection	Single



Fuse Options	Dual
--------------	------

### Electrical Characteristics

Input Voltage Select	Single AC
Leakage Current (Max) (120VAC, 60Hz)	2 $\mu$ A
Leakage Current (Max) (250VAC, 50Hz)	5 $\mu$ A
Current Rating	10 A
Voltage (Max)	115 VAC, 230 VAC

### Body Features

Shield Style	Filter Shield
--------------	---------------

### Mechanical Attachment

Mount Angle	Vertical
Mount Style	Flanged

### Dimensions

Panel Thickness Range	.79 – 2 mm [.031 – .079 in]
-----------------------	-----------------------------

### Usage Conditions

Operating Temperature Range	-10 – 40 °C
-----------------------------	-------------

### Operation/Application

For Use With	P Series
--------------	----------

## Product Compliance

[For compliance documentation, visit the product page on TE.com>](#)

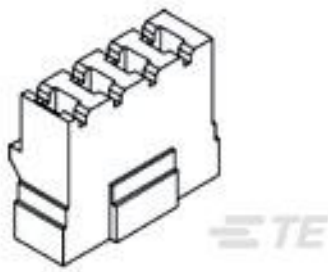
EU RoHS Directive 2011/65/EU	Compliant
EU ELV Directive 2000/53/EC	Compliant
China RoHS 2 Directive MIIT Order No 32, 2016	No Restricted Materials Above Threshold
EU REACH Regulation (EC) No. 1907/2006	Current ECHA Candidate List: JUN 2020 (209) Candidate List Declared Against: JUN 2020 (209) Does not contain REACH SVHC
Halogen Content	Not Low Halogen - contains Br or Cl > 900 ppm.
Solder Process Capability	Not applicable for solder process capability

Product Compliance Disclaimer



This information is provided based on reasonable inquiry of our suppliers and represents our current actual knowledge based on the information they provided. This information is subject to change. The part numbers that TE has identified as EU RoHS compliant have a maximum concentration of 0.1% by weight in homogenous materials for lead, hexavalent chromium, mercury, PBB, PBDE, DBP, BBP, DEHP, DIBP, and 0.01% for cadmium, or qualify for an exemption to these limits as defined in the Annexes of Directive 2011/65/EU (RoHS2). Finished electrical and electronic equipment products will be CE marked as required by Directive 2011/65/EU. Components may not be CE marked. Additionally, the part numbers that TE has identified as EU ELV compliant have a maximum concentration of 0.1% by weight in homogenous materials for lead, hexavalent chromium, and mercury, and 0.01% for cadmium, or qualify for an exemption to these limits as defined in the Annexes of Directive 2000/53/EC (ELV). Regarding the REACH Regulation, the information TE provides on SVHC in articles for this part number is based on the latest European Chemicals Agency (ECHA) 'Guidance on requirements for substances in articles' posted at this URL: <https://echa.europa.eu/guidance-documents/guidance-on-reach>

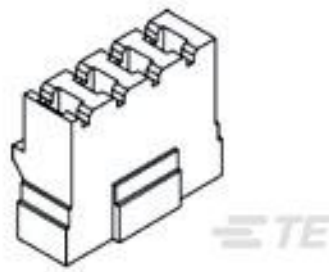
## Compatible Parts



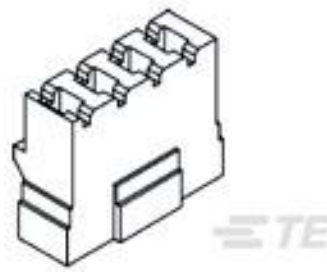
TE Model / Part # 1609140-3  
PA105 J0=F6806



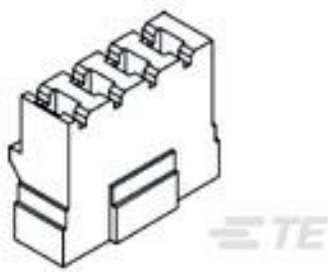
TE Model / Part # 1609142-1  
GA400 POWER LINE CO=F6946



TE Model / Part # 1609140-1  
PA100=F6800




TE Model / Part # 1609146-1  
PA101 CONNECTOR PLU=F6998



TE Model / Part # 1609146-2  
PA102 CONNECTOR PIN=F6999

## Also in the Series | Corcom P



Filter Accessories(4)



Multi-Function Inlet Filters(368)

## Customers Also Bought



## Documents

### Product Drawings

PE000DHXA=C2381

English

### CAD Files

3D PDF

3D

Customer View Model

[ENG\\_CVM\\_6-6609930-7\\_A.3d\\_igs.zip](#)

English

Customer View Model

[ENG\\_CVM\\_6-6609930-7\\_A.3d\\_stp.zip](#)

English

Customer View Model

[ENG\\_CVM\\_6-6609930-7\\_A.2d\\_dxf.zip](#)

English

By downloading the CAD file I accept and agree to the [Terms and Conditions](#) of use.

### Datasheets & Catalog Pages



[1654001\\_CORCOM\\_PRODUCT\\_GUIDE](#)

English

[Corcom Combined Selector Charts](#)

English

[1-1654250-1\\_CORCOM\\_EMI\\_RFI\\_ORG](#)

English