

350200-1 ✓ ACTIVE

MATE-N-LOK | Commercial MATE-N-LOK

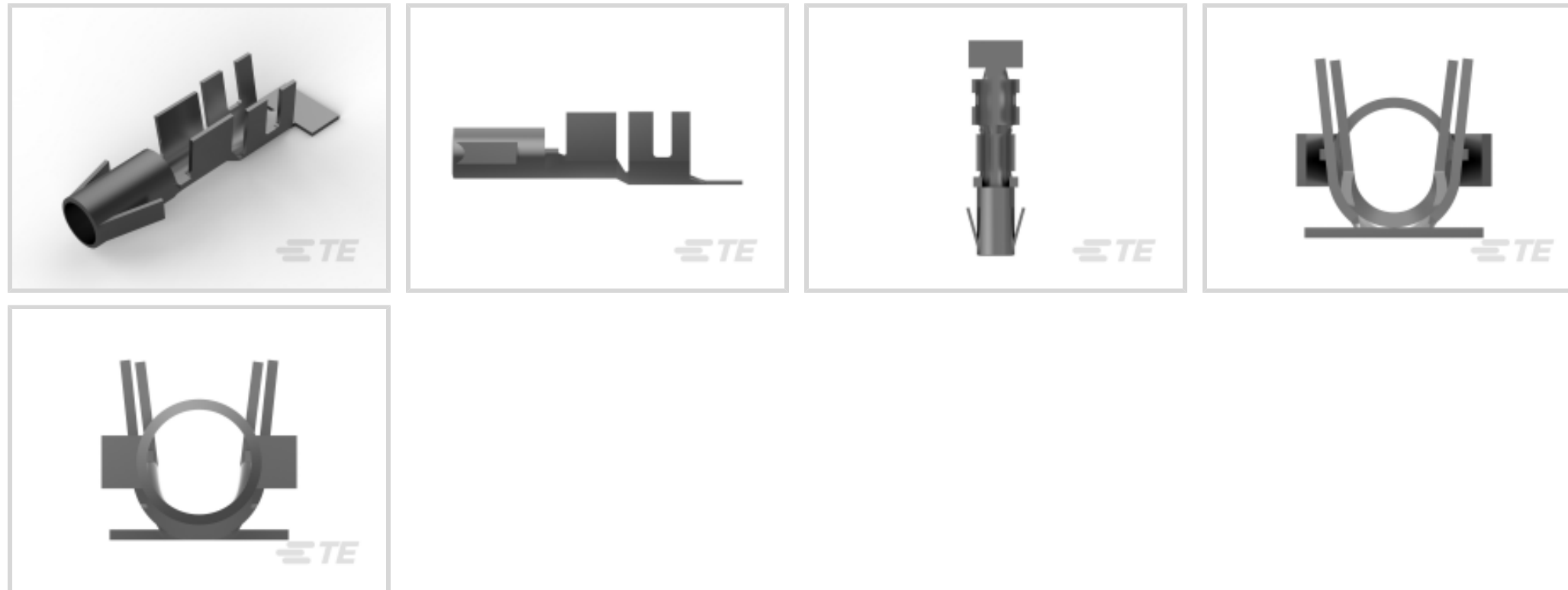
TE Internal #: 350200-1

Commercial MATE-N-LOK, Power Contacts, Contact, Operating Voltage 250 VAC, Pre-Tin, 14 – 10AWG Wire Size, 2 – 6mm<sup>2</sup> Wire Size, Wire-to-Wire

[View on TE.com >](#)



Connectors > Power Connectors > Power Contacts



Power Contact Type: **Contact**

Operating Voltage: **250 VAC**

Contact Mating Area Plating Material: **Pre-Tin**

Wire Size: **2 – 6 mm<sup>2</sup>**

## Features

### Product Type Features

Power Contact Type	Contact
Connector System	Wire-to-Wire
Connector & Contact Terminates To	Wire & Cable

### Electrical Characteristics

Test Current	10 A
Operating Voltage	250 VAC

### Contact Features

Contact Mating Area Plating Material	Pre-Tin
Contact Current Rating (Max)	17 A
Contact Type	Socket
Contact Retention Within Housing	With
Mating Pin Diameter	3.56 mm [.14 in]
Contact Base Material	Brass
Wire Contact Termination Area Plating Material	Pre-Tin
Contact Orientation	Straight



### Termination Features

Termination Method to Wire & Cable	Crimp
------------------------------------	-------

### Mechanical Attachment

Contact Retention Type Within Housing	Locking Lance
Connector Mounting Type	Cable Mount (Free-Hanging)
Wire Insulation Support	With

### Dimensions

Wire Size	2 – 6 mm <sup>2</sup>
Accepts Wire Insulation Diameter Range	2.54 – 4.57 mm [.1 – .18 in]

### Usage Conditions

Operating Temperature Range	-55 – 105 °C [-67 – 221 °F]
-----------------------------	-----------------------------

### Operation/Application

Circuit Application	Power
---------------------	-------

### Industry Standards

Glow Wire Rating	Standard Part - Not Glow Wire
------------------	-------------------------------

### Packaging Features

Packaging Method	Strip
------------------	-------

### Other

Wire/Cable Type	Discrete Wire
Comment	HDM Applicator part number ending in -1 is used on AMPOMATOR CLS Machine with T or G Terminators, -2 is used on AMP-O-ELECTRIC Model K Machine, -6 is used on AMP-O-ELECTRIC Model G Machine.

### Product Compliance

[For compliance documentation, visit the product page on TE.com>](#)

EU RoHS Directive 2011/65/EU	Compliant
EU ELV Directive 2000/53/EC	Compliant
China RoHS 2 Directive MIIT Order No 32, 2016	No Restricted Materials Above Threshold
EU REACH Regulation (EC) No. 1907/2006	Current ECHA Candidate List: JUN 2020 (209) Candidate List Declared Against: JAN 2020 (205)



Does not contain REACH SVHC

Halogen Content

Low Halogen - Br, Cl, F, I < 900 ppm per homogenous material. Also BFR/CFR/PVC Free

Solder Process Capability

Not applicable for solder process capability

Product Compliance Disclaimer

This information is provided based on reasonable inquiry of our suppliers and represents our current actual knowledge based on the information they provided. This information is subject to change. The part numbers that TE has identified as EU RoHS compliant have a maximum concentration of 0.1% by weight in homogenous materials for lead, hexavalent chromium, mercury, PBB, PBDE, DBP, BBP, DEHP, DIBP, and 0.01% for cadmium, or qualify for an exemption to these limits as defined in the Annexes of Directive 2011/65/EU (RoHS2). Finished electrical and electronic equipment products will be CE marked as required by Directive 2011/65/EU. Components may not be CE marked. Additionally, the part numbers that TE has identified as EU ELV compliant have a maximum concentration of 0.1% by weight in homogenous materials for lead, hexavalent chromium, and mercury, and 0.01% for cadmium, or qualify for an exemption to these limits as defined in the Annexes of Directive 2000/53/EC (ELV). Regarding the REACH Regulation, the information TE provides on SVHC in articles for this part number is based on the latest European Chemicals Agency (ECHA) 'Guidance on requirements for substances in articles' posted at this URL: <https://echa.europa.eu/guidance-documents/guidance-on-reach>

## Compatible Parts



TE Model / Part # 2305570-1  
TERMINAL CUTTER, SIDE FEED



TE Model / Part # 1-480510-0  
04P .140 MNL PLUG NAT



TE Model / Part # 1-480585-0  
09P .140 MNL PLUG NAT



TE Model / Part # 1-480672-0  
09P .140 MNL PLUG PM NAT



TE Model / Part # 1-350346-0  
03P .140 MNL PLUG P/M NAT




TE Model / Part # 1-350344-0  
02P .140 MNL PLUG NAT



TE Model / Part # 539764-1  
EXTRACTION TOOL



TE Model / Part # 318845-1  
EXTRACTION TOOL ASSY



TE Model / Part # 880124  
9 CIR PLUG 140DIA PANEL MT NAT



TE Model / Part # 1-480672-9  
09P .140 MNL PLUG PM BLK



TE Model / Part # 925451-1  
M-N-L SOCKET HSG



TE Model / Part # 1-480672-4  
09P .140 MNL PLUG YEL




TE Model / Part # 2-2151321-1  
OCEAN\_2.0\_APPLICATOR-S-140F190O180F



TE Model / Part # 2-2151321-2  
OCEAN\_2.0\_APPLICATOR-S-140F190O180FA



TE Model / Part # 2151321-1  
OCEAN\_2.0\_APPLICATOR-S-140F190O180F



TE Model / Part # 2151321-2  
OCEAN\_2.0\_APPLICATOR-S-140F190O180FA




**KIT**  
REPRESENTATION ONLY

TE Model / Part # 7-2151321-7  
OCEAN\_2.0\_SPARE\_PART\_KIT-140F190O180F



TE Model / Part # 794699-1  
02P .140 MNL PLUG BLK HT


Also in the Series | Commercial MATE-N-LOK




Connector Contacts(50)




Crimp Wire Pins, Tabs & Ferrules(3)



Power Contacts(132)



Rectangular Caps & Covers(2)




Rectangular Connector Housings(20)



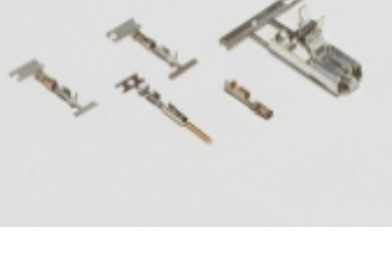
Rectangular Connector Seals(1)



Rectangular Power Connectors(171)

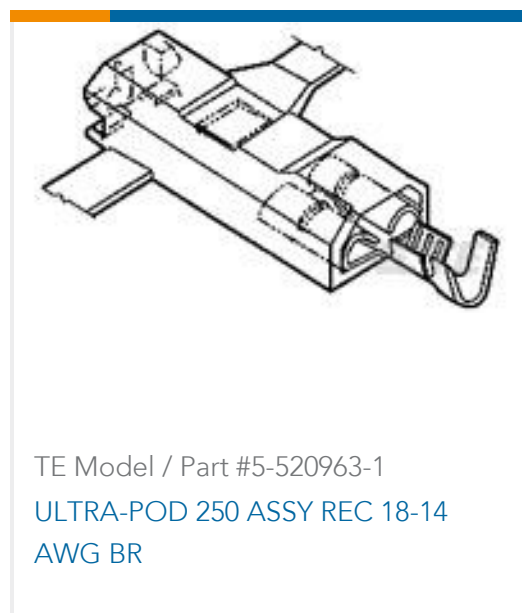
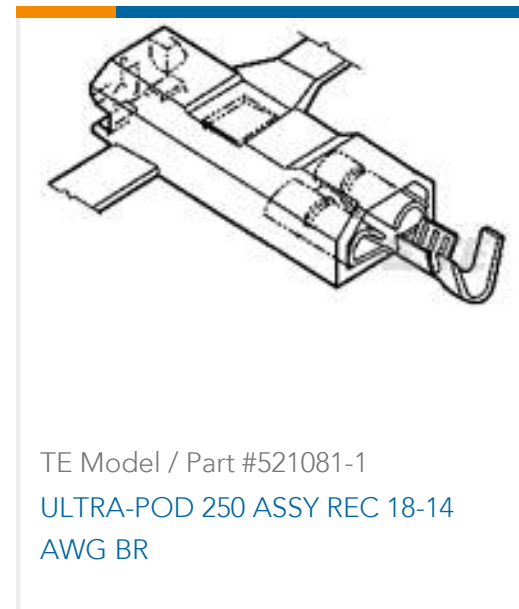
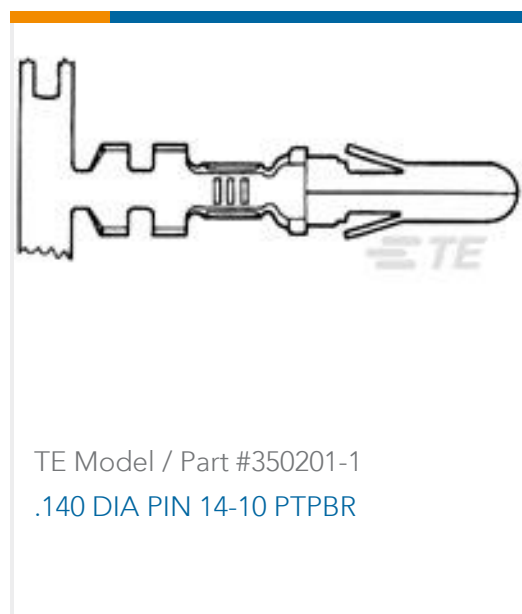


Standard Rectangular Connectors(10)



Wire-to-Board Connector Contacts(1)

Customers Also Bought



## Documents

### Product Drawings

[.140 DIA SOK 14-10 PTPBR](#)

English

### CAD Files

[3D PDF](#)

3D

Customer View Model

[ENG\\_CVM\\_350200-1\\_E.3d\\_igs.zip](#)

English

Customer View Model

[ENG\\_CVM\\_350200-1\\_E.3d\\_stp.zip](#)

English

Customer View Model

[ENG\\_CVM\\_350200-1\\_E.2d\\_dxf.zip](#)

English

[3D PDF](#)

English



**Customer View Model**

[ENG\\_CVM\\_CVM\\_350200-1\\_Y.2d\\_dxf.zip](#)

English

**Customer View Model**

[ENG\\_CVM\\_CVM\\_350200-1\\_Y.3d\\_igs.zip](#)

English

**Customer View Model**

[ENG\\_CVM\\_CVM\\_350200-1\\_Y.3d\\_stp.zip](#)

English

By downloading the CAD file I accept and agree to the [Terms and Conditions](#) of use.

---

**Datasheets & Catalog Pages**

[SOFT\\_SHELL\\_PIN\\_SOCKET\\_CONNECTORS\\_STANDARD\\_DENSITY](#)

English

---

**Product Specifications**

[Application Specification](#)

English

[MATE-N-LOK .140 Diameter Pin And Socket Contacts](#)

English

[Application Specification](#)

Japanese

[Application Specification](#)

Japanese

[MATE-N-LOK .140 Diameter Pin & Socket Contacts](#)

Japanese

---

**Product Environmental Compliance**

[TE Material Declaration](#)

English