

2227595-1 ✓ ACTIVE

Mini-SAS HD

TE Internal #: 2227595-1

Mini-SAS HD, Internal Mini-SAS HD, Receptacle, Cable-to-Board,
36 Position, 4 Rows, 1 Ports, Vertical, Through Hole - Press-Fit

[View on TE.com >](#)



Connectors > PCB Connectors > SAS & MiniSAS > Internal Mini-SAS HD Connectors



SAS Connector Type: **Internal Mini-SAS HD**

Connector & Housing Type: **Receptacle**

Connector System: **Cable-to-Board**

Number of Positions: **36**

Number of Rows: **4**

[All Internal Mini-SAS HD Connectors \(6\)](#)

Features

Product Type Features

Shell	Without
SAS Connector Type	Internal Mini-SAS HD
Connector & Housing Type	Receptacle
Connector System	Cable-to-Board
Connector & Contact Terminates To	Printed Circuit Board

Configuration Features

Stackable	No
Number of Positions	36
Number of Rows	4
Number of Ports	1
PCB Mount Orientation	Vertical

Contact Features

Contact Mating Area Plating Material	Conforms to the requirements of TE product specification 108-32038 based on EIA/ECA-364-1000.0IA.
PCB Contact Termination Area Plating Material	Tin
Contact Base Material	Copper Alloy



Termination Features

Termination Method to Printed Circuit Board	Through Hole - Press-Fit
---	--------------------------

Mechanical Attachment

PCB Mount Retention	With
PCB Mount Retention Type	M2 Screw

Housing Features

Housing Material	LCP (Liquid Crystal Polymer)
Housing Color	Black
Centerline (Pitch)	.75 mm[.029 in]

Dimensions

Height Above PC Board	14.2 mm[.559 in]
-----------------------	------------------

Usage Conditions

High Temperature Housing	Yes
Operating Temperature Range	-55 – 85 °C[-67 – 185 °F]

Operation/Application

Circuit Application	Signal
---------------------	--------

Industry Standards

UL Flammability Rating	UL 94V-0
------------------------	----------

Packaging Features

Packaging Method	Box & Tray
------------------	------------

Product Compliance

[For compliance documentation, visit the product page on TE.com>](#)

EU RoHS Directive 2011/65/EU	Compliant
EU ELV Directive 2000/53/EC	Compliant
China RoHS 2 Directive MIIT Order No 32, 2016	No Restricted Materials Above Threshold
EU REACH Regulation (EC) No. 1907/2006	Current ECHA Candidate List: JUN 2020 (209) Candidate List Declared Against: JUN 2018 (191) Does not contain REACH SVHC
Halogen Content	BFR/CFR/PVC Free, but Br/Cl >900 ppm in other sources.
Solder Process Capability	Not applicable for solder process capability



Product Compliance Disclaimer

This information is provided based on reasonable inquiry of our suppliers and represents our current actual knowledge based on the information they provided. This information is subject to change. The part numbers that TE has identified as EU RoHS compliant have a maximum concentration of 0.1% by weight in homogenous materials for lead, hexavalent chromium, mercury, PBB, PBDE, DBP, BBP, DEHP, DIBP, and 0.01% for cadmium, or qualify for an exemption to these limits as defined in the Annexes of Directive 2011/65/EU (RoHS2). Finished electrical and electronic equipment products will be CE marked as required by Directive 2011/65/EU. Components may not be CE marked. Additionally, the part numbers that TE has identified as EU ELV compliant have a maximum concentration of 0.1% by weight in homogenous materials for lead, hexavalent chromium, and mercury, and 0.01% for cadmium, or qualify for an exemption to these limits as defined in the Annexes of Directive 2000/53/EC (ELV). Regarding the REACH Regulation, the information TE provides on SVHC in articles for this part number is based on the latest European Chemicals Agency (ECHA) 'Guidance on requirements for substances in articles' posted at this URL: <https://echa.europa.eu/guidance-documents/guidance-on-reach>

Compatible Parts



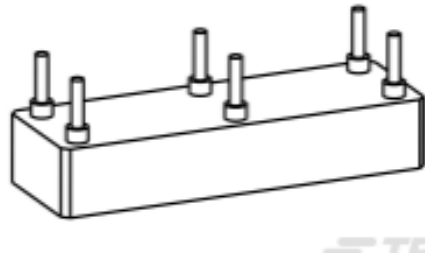
TE Model / Part # 2170563-1
12G SAS RECEPTACLE, 29 POS



TE Model / Part # CAT-IN819-C76264
Internal Mini-SAS HD Connectors



TE Model / Part # CAT-MHD6907-C117
Mini-SAS HD Cages




TE Model / Part # 2185275-1
ASY, RMVL TL, SHROUD, MINI-SAS



TE Model / Part # 2215044-2
ASSY, REMOVAL TOOL

Also in the Series | Mini-SAS HD



Mini-SAS Cages(11)



Pluggable I/O Cable Assemblies(18)



SAS & MiniSAS(10)



SATA & Micro SATA(1)

Customers Also Bought



TE Model / Part #1-1469388-1
ATCA GUIDE MODULE VERT LONG
PIN



TE Model / Part #6450130-4
MBXL R/A HDR 4P+24S+3ACP



TE Model / Part #1871058-1
PCI EXPRESS CONN. EON TYPE, 36P,
L=2.0



TE Model / Part #2110487-1
QSFP Cage, Solder Leg, No HS
Opening



TE Model / Part #2-1734516-0
RCPT, 2MM, 20P, VRT SMT, 30Au",
LOCK



TE Model / Part #1-1735413-1
Assembly Slimline SATA Receptacle
7P+6P

Documents

Product Drawings

1X1 VERT ASSY, MINI SAS HD INTERNAL

English

CAD Files

3D PDF

3D

Customer View Model

[ENG_CVM_CVM_2227595-1_A.2d_dxf.zip](#)

English

Customer View Model

[ENG_CVM_CVM_2227595-1_A.3d_igs.zip](#)

English

Customer View Model

[ENG_CVM_CVM_2227595-1_A.3d_stp.zip](#)

English

By downloading the CAD file I accept and agree to the [Terms and Conditions](#) of use.

Product Specifications

Application Specification

English

Product Environmental Compliance

TE Material Declaration

English

Agency Approvals

UL Report

2227595-1

Mini-SAS HD, Internal Mini-SAS HD, Receptacle, Cable-to-Board, 36 Position, 4 Rows,
1 Ports, Vertical, Through Hole - Press-Fit



English