

42508-2 ✓ ACTIVE

TE Internal #: 42508-2

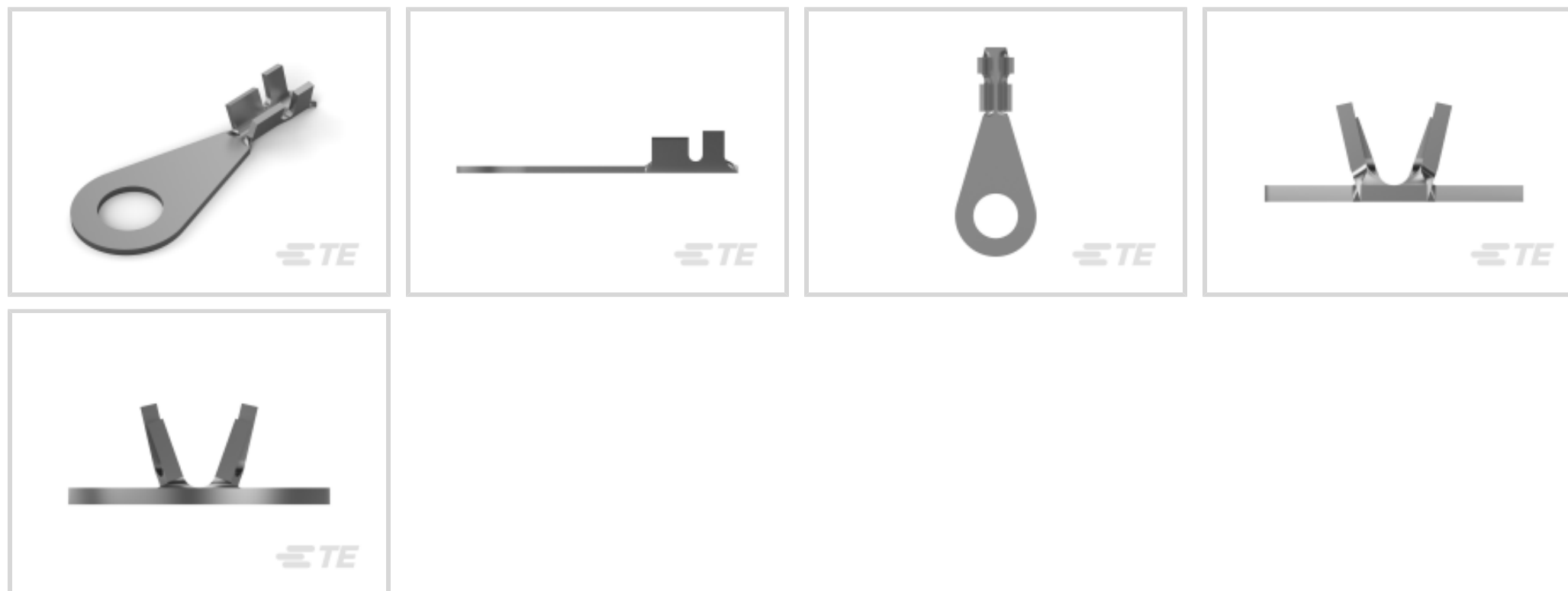
Rings & Spades, Ring Tongue, 24 – 20AWG Wire Size, .2 – .6mm<sup>2</sup>

Wire Size, 404 – 1021CMA Wire Size, M4 / #8, Stud Diameter 4.34 mm [.171 in]

[View on TE.com >](#)



Terminals & Splices > Rings & Spades



Terminal & Splice Type: **Ring Tongue**

Wire Size: **404 – 1021 CMA**

Stud Size: **#8, M4**

## Features

### Product Type Features

Shape Description	Circular/Oval
Stud Size	#8, M4
Barrel Type	Open Barrel
Sealable	No
Insulated	No
Wire/Cable Type	Regular Wire
Support Style	Insulation Support

### Configuration Features

Number of Holes	1
Terminal Angle	Straight

### Body Features

Weight per Piece	.441 g
Plating Material	Tin

### Contact Features

Contact Base Material	Brass
Terminal & Splice Type	Ring Tongue



Terminal Orientation	Straight
Underplating Material	None

### Mechanical Attachment

Wire Insulation Support	With
-------------------------	------

### Dimensions

	.048 in
Wire Size	404 – 1021 CMA
Stud Diameter	4.34 mm [.171 in]
Tongue Thickness	.51 mm [.02 in]
Overall Length	19.56 mm [.77 in]
Barrel Inside Diameter	1.01 mm, 1.77 mm [.04 in] [.07 in]
Wire Insulation Diameter (Max)	1.9812 mm [.078 in]
Wire Insulation Diameter	1.22 – 1.98 mm [.048 – .078 in]

### Usage Conditions

Operating Temperature Range	110 °C [230 °F]
-----------------------------	-----------------

### Operation/Application

Heavy Duty	No
------------	----

### Industry Standards

Government Qualified	No
----------------------	----

### Packaging Features

Packaging Quantity	20000
Packaging Method	Strip/Reel

### Product Compliance

[For compliance documentation, visit the product page on TE.com>](#)

EU RoHS Directive 2011/65/EU	Compliant
EU ELV Directive 2000/53/EC	Compliant
China RoHS 2 Directive MIIT Order No 32, 2016	No Restricted Materials Above Threshold
EU REACH Regulation (EC) No. 1907/2006	Current ECHA Candidate List: JUN 2020 (209) Candidate List Declared Against: JAN 2020 (205) Does not contain REACH SVHC

Halogen Content

Low Halogen - Br, Cl, F, I < 900 ppm per homogenous material. Also BFR/CFR/PVC Free

Solder Process Capability

Not applicable for solder process capability

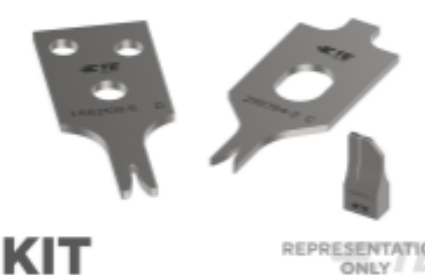
Product Compliance Disclaimer

This information is provided based on reasonable inquiry of our suppliers and represents our current actual knowledge based on the information they provided. This information is subject to change. The part numbers that TE has identified as EU RoHS compliant have a maximum concentration of 0.1% by weight in homogenous materials for lead, hexavalent chromium, mercury, PBB, PBDE, DBP, BBP, DEHP, DIBP, and 0.01% for cadmium, or qualify for an exemption to these limits as defined in the Annexes of Directive 2011/65/EU (RoHS2). Finished electrical and electronic equipment products will be CE marked as required by Directive 2011/65/EU. Components may not be CE marked. Additionally, the part numbers that TE has identified as EU ELV compliant have a maximum concentration of 0.1% by weight in homogenous materials for lead, hexavalent chromium, and mercury, and 0.01% for cadmium, or qualify for an exemption to these limits as defined in the Annexes of Directive 2000/53/EC (ELV). Regarding the REACH Regulation, the information TE provides on SVHC in articles for this part number is based on the latest European Chemicals Agency (ECHA) 'Guidance on requirements for substances in articles' posted at this URL: <https://echa.europa.eu/guidance-documents/guidance-on-reach>

## Compatible Parts



TE Model / Part # 2150738-2  
OCEAN-2.0-APPLICATOR-E-080F100FA



**KIT**  
REPRESENTATION ONLY

TE Model / Part # 7-2150738-7  
OCEAN\_2.0\_SPARE\_PART\_KIT-080F100F



TE Model / Part # 2-2150343-1  
OCEAN-2.0-APPLICATOR-E-080F0900



TE Model / Part # 2-2150343-2  
OCEAN-2.0-APPLICATOR-E-080F0900A



TE Model / Part # 2-2150738-1  
OCEAN-2.0-APPLICATOR-E-080F100F



TE Model / Part # 2-2150738-2  
OCEAN-2.0-APPLICATOR-E-080F100FA



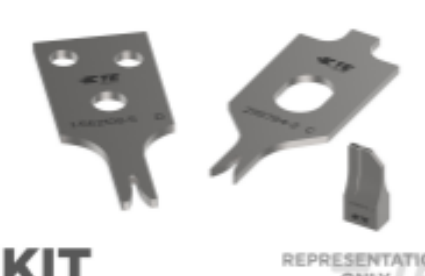
TE Model / Part # 2150343-1  
OCEAN-2.0-APPLICATOR-E-080F0900



TE Model / Part # 2150343-2  
OCEAN-2.0-APPLICATOR-E-080F0900A



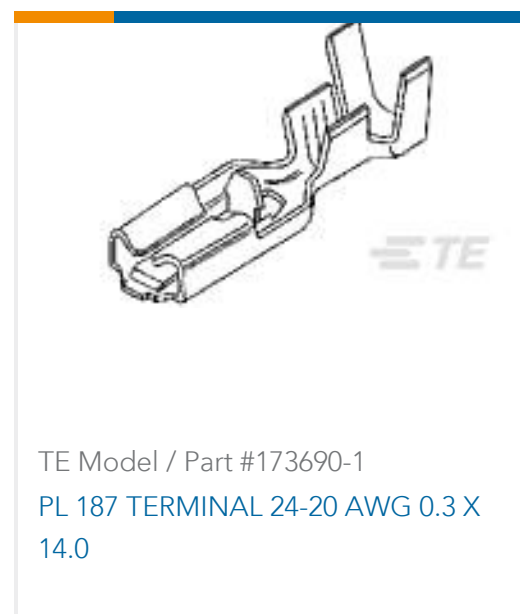
TE Model / Part # 2150738-1  
OCEAN-2.0-APPLICATOR-E-080F100F



**KIT**  
REPRESENTATION ONLY

TE Model / Part # 7-2150343-7  
OCEAN\_2.0\_SPARE\_PART\_KIT-080F0900

## Customers Also Bought



## Documents

### Product Drawings

#### RING CRIMP 24-20 AWG TPBR

English

### CAD Files

#### 3D PDF

3D

#### Customer View Model

[ENG\\_CVM\\_CVM\\_42508-2\\_Z\\_c-42508-2-z.2d\\_dxf.zip](#)

English

#### Customer View Model

[ENG\\_CVM\\_CVM\\_42508-2\\_Z\\_c-42508-2-z.3d\\_igs.zip](#)

English

#### Customer View Model

[ENG\\_CVM\\_CVM\\_42508-2\\_Z\\_c-42508-2-z.3d\\_stp.zip](#)

English

By downloading the CAD file I accept and agree to the [Terms and Conditions](#) of use.

### Product Specifications

#### Application Specification

English

### Product Environmental Compliance

#### Product Compliance

English

#### Product Compliance

English



[Agency Approvals](#)

[UL Report](#)

English