

1-750913-7 ✓ ACTIVE

AMPLIMITE | AMPLIMITE 0.50 Series

TE Internal #: 1-750913-7

AMPLIMITE 0.50 Series, IDC D-Sub Connectors, Plug, 30 – 28AWG

Solid Wire Size, .05 – .08mm² Solid Wire Size, Shielded, Cable-to-Cable, 68 Position

[View on TE.com >](#)



Connectors > D-Shaped Connectors > D-Sub Connectors > IDC D-Sub Connectors



Connector & Housing Type: **Plug**

Solid Wire Size: **.05 – .08 mm²**

Shielded: **Yes**

Connector System: **Cable-to-Cable**

Features

Product Type Features

Rails	Without
Connector & Housing Type	Plug
Connector System	Cable-to-Cable
Connector Product Type	Connector Kit
Sealable	No
Connector & Contact Terminates To	Wire & Cable

Configuration Features

Number of Positions	68
Number of Rows	2
Compatible With Wire & Cable Type	Round Jacketed Cable

Body Features

Color	Gray
	.025 in
Cover Material	Polyester
Plug Shell Plating Material	Tin-Nickel Alloy
Plug Shell Material	Steel

Contact Features

	30 μin
Contact Mating Area Plating Material	Gold, Gold Flash



Contact Underplating Material	Nickel, Palladium Nickel
PCB Contact Termination Area Plating Material	Tin-Lead
Contact Base Material	Phosphor Bronze
Contact Current Rating (Max)	1 A

Termination Features

Termination Cover Type	Wire Lacing
Termination Cover Method	Unassembled
Termination Cover	With
Termination Method to Wire & Cable	Insulation Displacement Crimp (IDC)

Mechanical Attachment

Mating Connector Lock	Without
Mounting Angle	None
Panel Mount Feature	Without
PCB Mount Retention Type	None
Detent	Without
Connector Mounting Type	Cable Mount (Free-Hanging)

Housing Features

Housing Material	Polyester
Housing Color	Black
Centerline (Pitch)	1.27 mm[.05 in]

Dimensions

Insulation Diameter (Max)	.79 mm
Accepts Wire Insulation Diameter Range	.74 – .79 mm[.029 – .031 in]
Solid Wire Size	.05 – .08 mm ²
Wire Size	.05 – .09 mm ²

Usage Conditions

Operating Temperature Range	-55 – 105 °C[-67 – 221 °F]
-----------------------------	----------------------------

Operation/Application

Shielded	Yes
Circuit Application	Signal

Industry Standards

UL Flammability Rating	UL 94V-0
------------------------	----------



Cover Flammability Rating UL 94V-0

Packaging Features

Packaging Method	Kit
Packaging Quantity	10

Other

Comment	Plug connector requires backshell kit for complete assembly
---------	---

Product Compliance

[For compliance documentation, visit the product page on TE.com>](#)

EU RoHS Directive 2011/65/EU	Not Compliant
EU ELV Directive 2000/53/EC	Not Compliant
China RoHS 2 Directive MIIT Order No 32, 2016	Restricted Materials Above Threshold
EU REACH Regulation (EC) No. 1907/2006	Current ECHA Candidate List: JUN 2020 (209) Candidate List Declared Against: JUN 2013 (144) Does not contain REACH SVHC
Halogen Content	Not Yet Reviewed for halogen content
Solder Process Capability	Not applicable for solder process capability

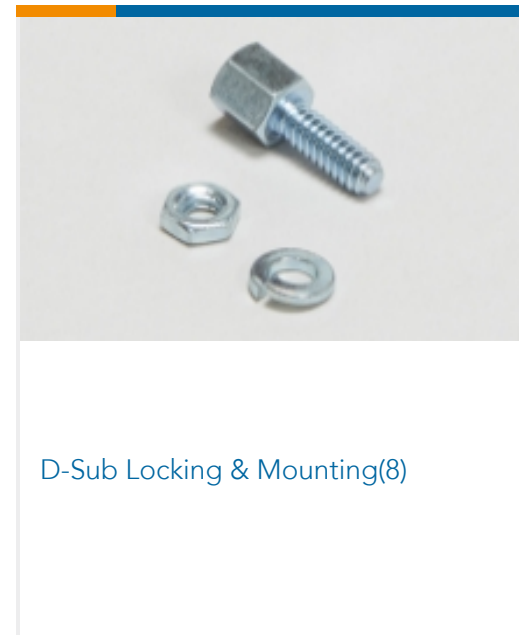
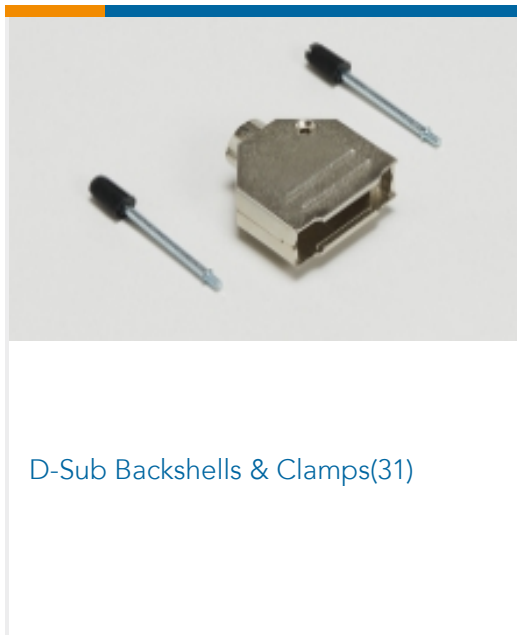
Product Compliance Disclaimer

This information is provided based on reasonable inquiry of our suppliers and represents our current actual knowledge based on the information they provided. This information is subject to change. The part numbers that TE has identified as EU RoHS compliant have a maximum concentration of 0.1% by weight in homogenous materials for lead, hexavalent chromium, mercury, PBB, PBDE, DBP, BBP, DEHP, DIBP, and 0.01% for cadmium, or qualify for an exemption to these limits as defined in the Annexes of Directive 2011/65/EU (RoHS2). Finished electrical and electronic equipment products will be CE marked as required by Directive 2011/65/EU. Components may not be CE marked. Additionally, the part numbers that TE has identified as EU ELV compliant have a maximum concentration of 0.1% by weight in homogenous materials for lead, hexavalent chromium, and mercury, and 0.01% for cadmium, or qualify for an exemption to these limits as defined in the Annexes of Directive 2000/53/EC (ELV). Regarding the REACH Regulations, TE's information on SVHC in articles for this part number is still based on the European Chemical Agency (ECHA) 'Guidance on requirements for substances in articles' (Version: 2, April 2011), applying the 0.1% weight on weight concentration threshold at the finished product level. TE is aware of the European Court of Justice ruling of September 10th, 2015 also known as O5A (Once An Article Always An Article) stating that, in case of 'complex object', the threshold for a SVHC must be applied to both the product as a whole and simultaneously to each of the articles forming part of its composition. TE has evaluated this ruling based on the new ECHA "Guidance on requirements for substances in articles" (June 2017, version 4.0) and will be updating its statements accordingly.

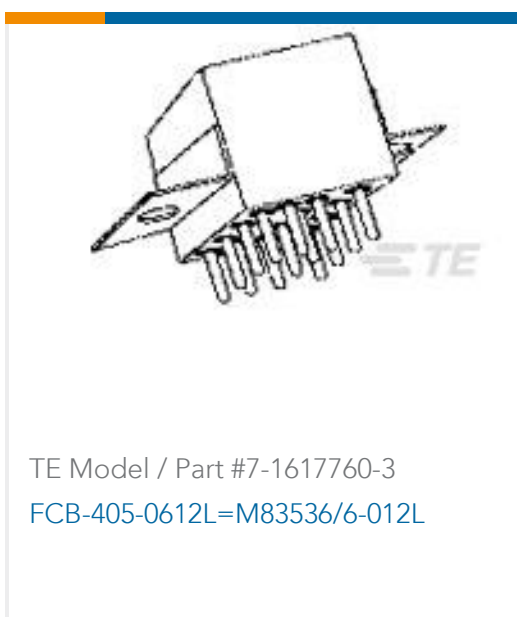
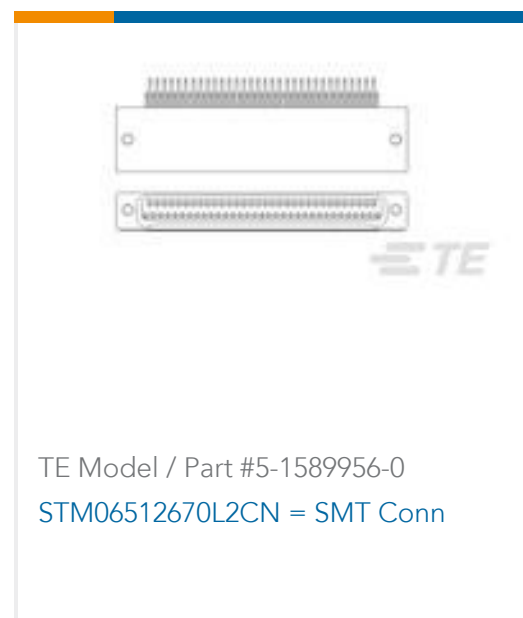
Compatible Parts

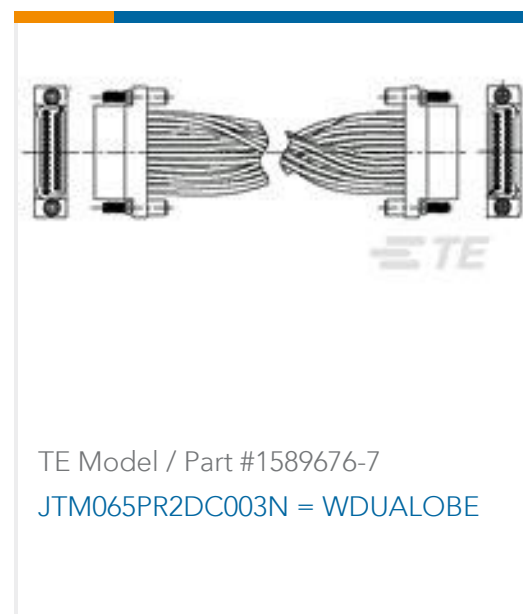


Also in the Series | AMPLIMITE 0.50 Series



Customers Also Bought





Documents

Product Drawings

68 50SR CABLE CONN KIT

English

CAD Files

3D PDF

3D

Customer View Model

[ENG_CVM_CVM_1-750913-7_H.2d_dxf.zip](#)

English

Customer View Model

[ENG_CVM_CVM_1-750913-7_H.3d_igs.zip](#)

English

Customer View Model

[ENG_CVM_CVM_1-750913-7_H.3d_stp.zip](#)

English

By downloading the CAD file I accept and agree to the [Terms and Conditions](#) of use.

Product Specifications

Application Specification

English

Instruction Sheets

Customer Manual (U.S.)

English