

1-480319-9 ✓ ACTIVE

MATE-N-LOK | Commercial MATE-N-LOK

TE Internal #: 1-480319-9

Commercial MATE-N-LOK, Rectangular Power Connectors, Housing, Receptacle, Wire-to-Wire, 2 Position, 5.08mm [.2in] Centerline, Wire & Cable, UL 94V-2

[View on TE.com >](#)



Connectors > Power Connectors > Rectangular Power > Rectangular Power Connectors



Rectangular Power Connector Type: **Housing**

Connector & Housing Type: **Receptacle**

Connector System: **Wire-to-Wire**

Number of Positions: **2**

Centerline (Pitch): **5.08 mm [.2 in]**

Features

Product Type Features

Rectangular Power Connector Type	Housing
Connector & Housing Type	Receptacle
Connector System	Wire-to-Wire
Sealable	No
Connector & Contact Terminates To	Wire & Cable

Configuration Features

Number of Positions	2
Number of Rows	1

Electrical Characteristics

Operating Voltage	250 VAC
-------------------	---------

Contact Features

Contact Layout	Inline
Contact Retention Within Housing	Without
Contact Type	Pin



Termination Features

Termination Method to Wire & Cable	Crimp
------------------------------------	-------

Mechanical Attachment

Panel Mount Feature	Without
Connector Mounting Type	Cable Mount (Free-Hanging)

Housing Features

Centerline (Pitch)	5.08 mm [.2 in]
Housing Color	Black
Housing Material	Nylon

Usage Conditions

Operating Temperature Range	-55 – 105 °C [-67 – 221 °F]
-----------------------------	-----------------------------

Operation/Application

Circuit Application	Power & Signal
---------------------	----------------

Identification Marking

Circuit Identification Feature	With
--------------------------------	------

Industry Standards

UL Flammability Rating	UL 94V-2
Glow Wire Rating	Standard Part - Not Glow Wire
UL Rating	Certified, Recognized
Agency/Standard Number	E28476
CSA File Number	LR16455
VDE Tested	No
Agency/Standard	CSA, UL

Packaging Features

Packaging Method	Package
Packaging Quantity	1

Other

For Use With	Socket (Plug) Housing
--------------	-----------------------

Product Compliance

[For compliance documentation, visit the product page on TE.com>](#)

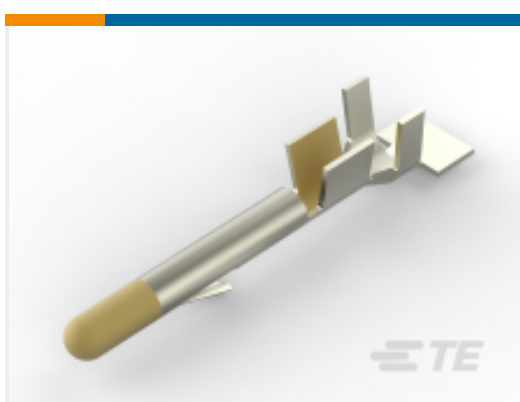

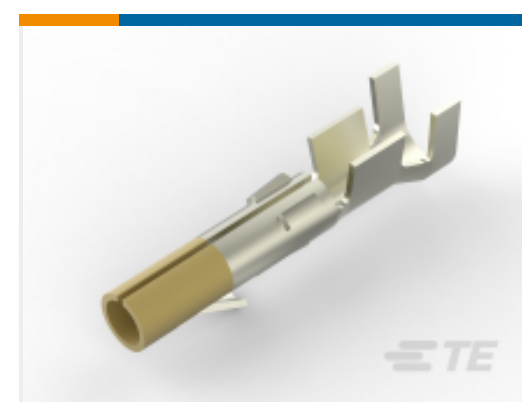




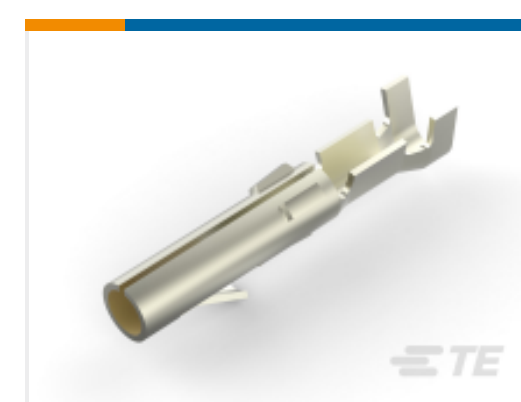


EU RoHS Directive 2011/65/EU	Compliant
EU ELV Directive 2000/53/EC	Compliant
China RoHS 2 Directive MIIT Order No 32, 2016	No Restricted Materials Above Threshold
EU REACH Regulation (EC) No. 1907/2006	Current ECHA Candidate List: JUN 2020 (209) Candidate List Declared Against: JAN 2020 (205) Does not contain REACH SVHC
Halogen Content	Low Halogen - Br, Cl, F, I < 900 ppm per homogenous material. Also BFR/CFR/PVC Free
Solder Process Capability	Not applicable for solder process capability

Product Compliance Disclaimer

This information is provided based on reasonable inquiry of our suppliers and represents our current actual knowledge based on the information they provided. This information is subject to change. The part numbers that TE has identified as EU RoHS compliant have a maximum concentration of 0.1% by weight in homogenous materials for lead, hexavalent chromium, mercury, PBB, PBDE, DBP, BBP, DEHP, DIBP, and 0.01% for cadmium, or qualify for an exemption to these limits as defined in the Annexes of Directive 2011/65/EU (RoHS2). Finished electrical and electronic equipment products will be CE marked as required by Directive 2011/65/EU. Components may not be CE marked. Additionally, the part numbers that TE has identified as EU ELV compliant have a maximum concentration of 0.1% by weight in homogenous materials for lead, hexavalent chromium, and mercury, and 0.01% for cadmium, or qualify for an exemption to these limits as defined in the Annexes of Directive 2000/53/EC (ELV). Regarding the REACH Regulation, the information TE provides on SVHC in articles for this part number is based on the latest European Chemicals Agency (ECHA) 'Guidance on requirements for substances in articles' posted at this URL: <https://echa.europa.eu/guidance-documents/guidance-on-reach>

Compatible Parts

 <p>TE Model / Part # 61118-5 CMNL PIN 20-14 AUNIBR</p>	 <p>TE Model / Part # 61527-2 CMNL GROUDING PIN 22-18 PTPBR</p>	 <p>TE Model / Part # 61117-7 CMNL SOK 20-14 AUBR</p>	 <p>TE Model / Part # 61173-5 CMNL SOK 30-22 AUNIBR L/P</p>
 <p>TE Model / Part # 1-480683-0 02P CMNL PLUG HSG F/H NATL</p>	 <p>TE Model / Part # 61174-5 CMNL PIN L/P AUNIBR</p>	 <p>TE Model / Part # 61366-1 AUTO MNL PIN PTPBR</p>	 <p>TE Model / Part # 61314-6 CMNL SOK S/F 24-18 .0125AUPHBZ</p>

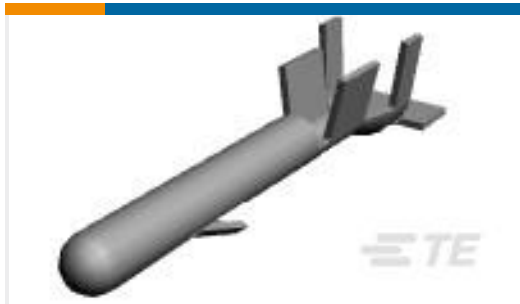


Also in the Series | Commercial MATE-N-LOK



Wire-to-Board Connector Contacts(1)

Customers Also Bought



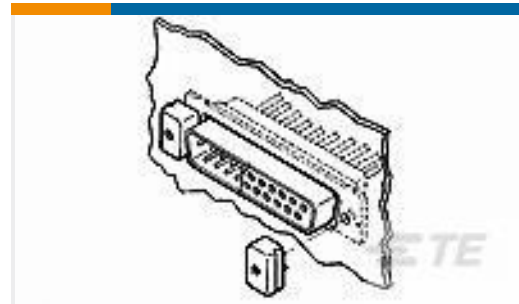
TE Model / Part #61118-5
CMNL PIN 20-14 AUNIBR



TE Model / Part #61527-2
CMNL GROUDING PIN 22-18 PTPBR



TE Model / Part #1-480424-9
04P CMNL PLUG HSG F/H BLK



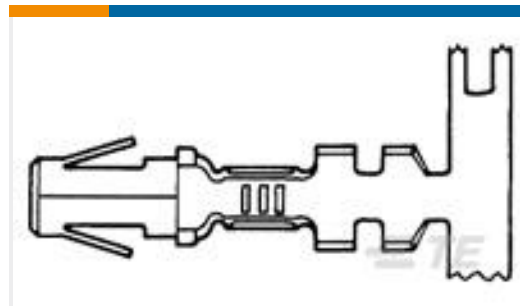
TE Model / Part #747717-2
LATCHING BLOCK KIT



TE Model / Part #1-480318-4
02P CMNL PLUG HSG F/H YELL



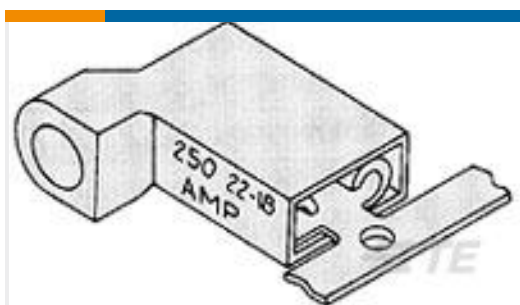
TE Model / Part #1-480318-9
02P CMNL PLUG HSG F/H BLK



TE Model / Part #350200-2
.140 DIA SOK 14-10 PTPPHBZ



TE Model / Part #87133-8
06 LOCKING CLIP HSG DR MRKD



TE Model / Part #9-520132-2
ULTRA-FAST 250 ASY FLAG REC 16-14 TPBR

Documents

Product Drawings

[02P CMNL CAP HSG F/H BLK](#)

English

CAD Files

[3D PDF](#)

[3D](#)

Customer View Model

[ENG_CVM_CVM_1-480319-9_AE.2d_dxf.zip](#)



English

Customer View Model

[ENG_CVM_CVM_1-480319-9_AE.3d_igs.zip](#)

English

Customer View Model

[ENG_CVM_CVM_1-480319-9_AE.3d_stp.zip](#)

English

By downloading the CAD file I accept and agree to the [Terms and Conditions](#) of use.

Datasheets & Catalog Pages

[SOFT_SHELL_PIN_SOCKET_CONNECTORS_STANDARD_DENSITY](#)

English

Product Specifications

[Application Specification](#)

English

Instruction Sheets

[Instruction Sheet \(U.S.\)](#)

English

[Instruction Sheet \(U.S.\)](#)

English

[Instruction Sheet \(U.S.\)](#)

English

Agency Approvals

[Agency Approval Document](#)

English