



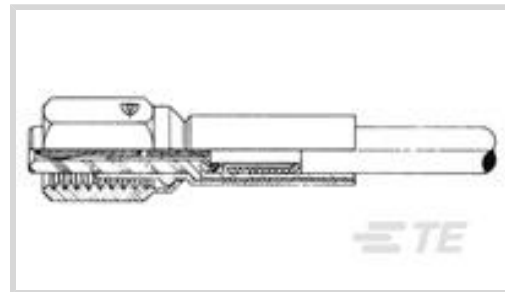
Microdot

TE Internal #: 2-1532006-8

RF Connectors, Ultra Miniature (LEPRA/CON) RF Interface, Plug, RF Connector Mated Outer Diameter (Approximate) .16 in [4.064 mm], 50 Ω

[View on TE.com >](#)

Connectors > RF & Coax Connectors > RF Connectors



RF Interface: **Ultra Miniature (LEPRA/CON)**

RF Connector Style: **Plug**

RF Connector Mated Outer Diameter (Approximate): **4.064 mm [.16 in]**

Impedance: **50 Ω**

Compatible With RF Cable Type: **RG 178/U, RG 196/U**

Features

Product Type Features

RF Interface	Ultra Miniature (LEPRA/CON)
RF Connector Style	Plug
Compatible With RF Cable Type	RG 178/U, RG 196/U
Sealable	No
Connector & Contact Terminates To	Wire & Cable

Configuration Features

Number of Positions	1
Number of Coaxial Contacts	1

Electrical Characteristics

Impedance	50 Ω
-----------	------

Body Features

Cable Connector Orientation	Straight
Body Material	Brass
Body Material Finish	Plated
Body Plating Material	Gold

Contact Features

RF Connector Center Contact Plating Material	Gold
RF Connector Center Contact Material	Beryllium Copper



Termination Features

Termination Method to Wire & Cable	Crimp
------------------------------------	-------

Mechanical Attachment

RF Connector Coupling Mechanism	Threaded
Connector Mounting Type	Cable Mount (Free-Hanging)
RF Contact Captivation Method	Screw

Dimensions

RF Connector Mated Outer Diameter (Approximate)	4.064 mm [.16 in]
---	-------------------

Usage Conditions

Operating Temperature Range	-55 – 125 °C
-----------------------------	--------------

Packaging Features

Packaging Method	Package
------------------	---------

Other

Grade	Commercial
Coupling Nut Style	Knurled
Additional Features	Solderless
Dielectric Material	PTFE

Product Compliance

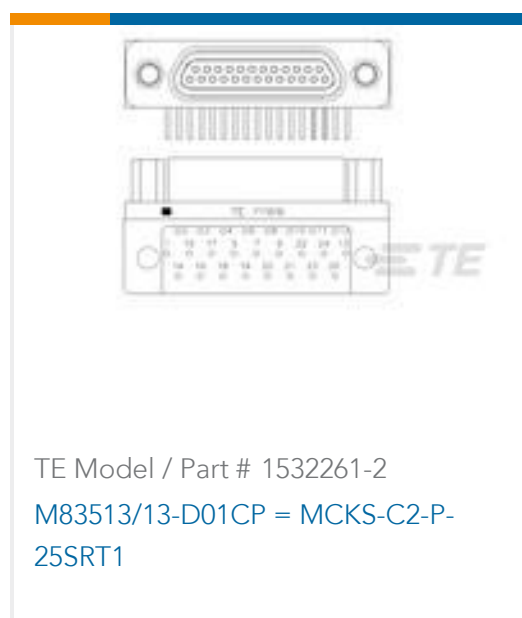
[For compliance documentation, visit the product page on TE.com>](#)

EU RoHS Directive 2011/65/EU	Compliant with Exemptions
EU ELV Directive 2000/53/EC	Compliant with Exemptions
China RoHS 2 Directive MIIT Order No 32, 2016	Restricted Materials Above Threshold
EU REACH Regulation (EC) No. 1907/2006	Current ECHA Candidate List: JUN 2020 (209) Candidate List Declared Against: JUN 2020 (209) Pb (3.7% in component) Article Safe Usage Statements: Do not eat, drink or smoke when using this product. Wash thoroughly after handling. Recycle if possible and dispose of the article by following all applicable governmental regulations relevant to your geographic location.
Halogen Content	Not Yet Reviewed for halogen content
Solder Process Capability	Wave solder capable to 265°C

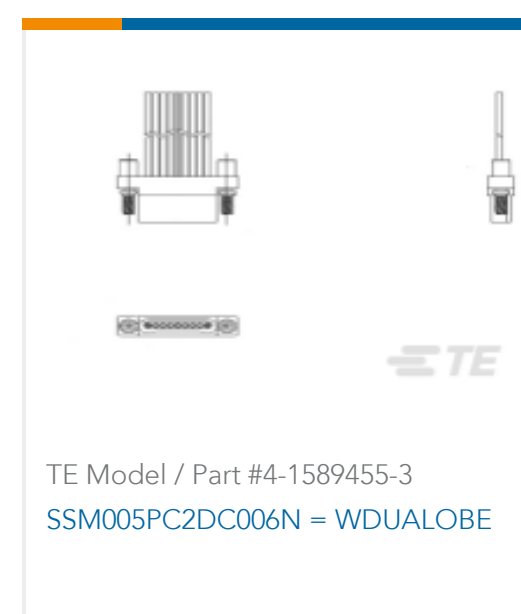
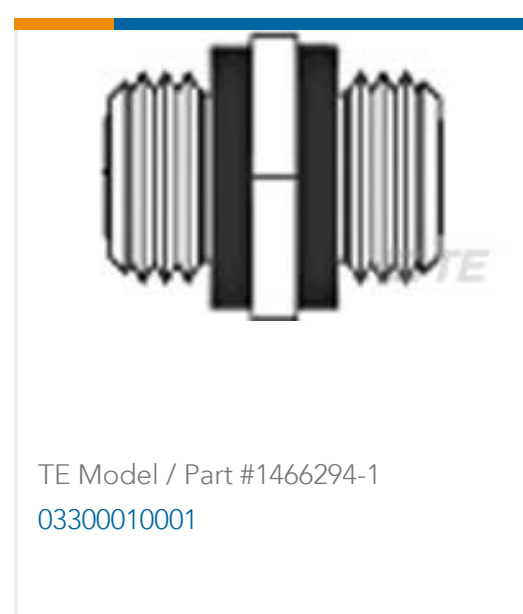
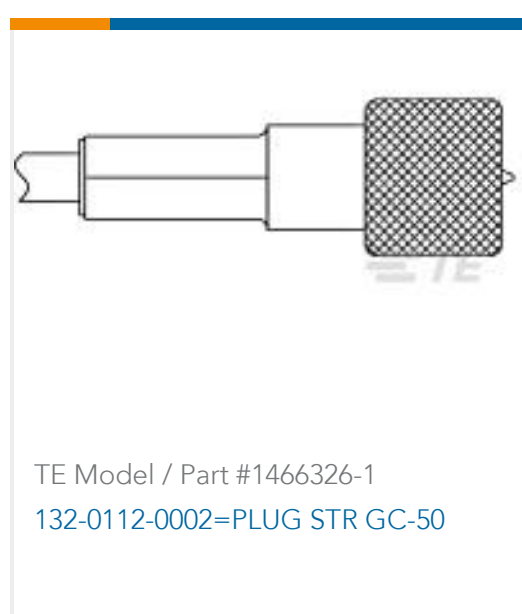
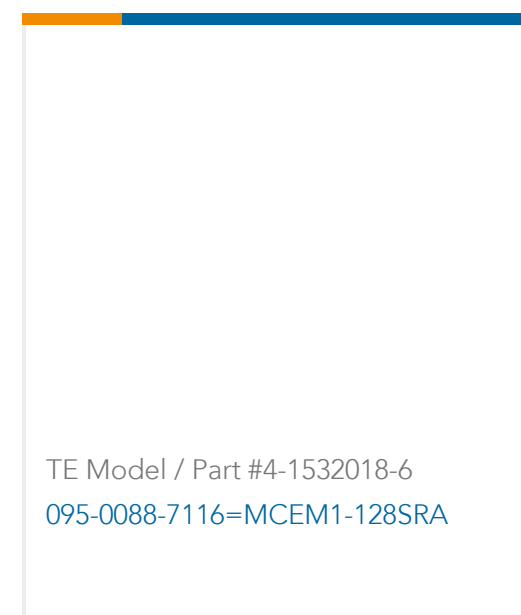
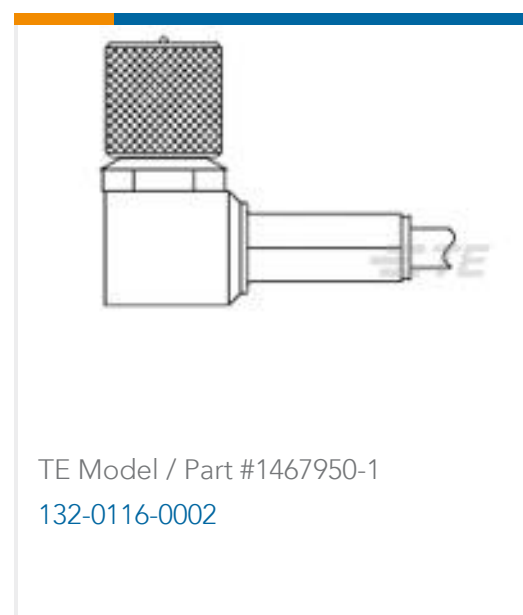
Product Compliance Disclaimer

This information is provided based on reasonable inquiry of our suppliers and represents our current actual knowledge based on the information they provided. This information is subject to change. The part numbers that TE has identified as EU RoHS compliant have a maximum concentration of 0.1% by weight in homogenous materials for lead, hexavalent chromium, mercury, PBB, PBDE, DBP, BBP, DEHP, DIBP, and 0.01% for cadmium, or qualify for an exemption to these limits as defined in the Annexes of Directive 2011/65/EU (RoHS2). Finished electrical and electronic equipment products will be CE marked as required by Directive 2011/65/EU. Components may not be CE marked. Additionally, the part numbers that TE has identified as EU ELV compliant have a maximum concentration of 0.1% by weight in homogenous materials for lead, hexavalent chromium, and mercury, and 0.01% for cadmium, or qualify for an exemption to these limits as defined in the Annexes of Directive 2000/53/EC (ELV). Regarding the REACH Regulation, the information TE provides on SVHC in articles for this part number is based on the latest European Chemicals Agency (ECHA) 'Guidance on requirements for substances in articles' posted at this URL: <https://echa.europa.eu/guidance-documents/guidance-on-reach>

Compatible Parts



Customers Also Bought



Documents

Product Drawings

142-0000-0002=PLUG,STRAIGHTS-

English

CAD Files

3D PDF



3D

Customer View Model

[ENG_CVM_CVM_2-1532006-8_H.2d_dxf.zip](#)

English

Customer View Model

[ENG_CVM_CVM_2-1532006-8_H.3d_igs.zip](#)

English

Customer View Model

[ENG_CVM_CVM_2-1532006-8_H.3d_stp.zip](#)

English

By downloading the CAD file I accept and agree to the [Terms and Conditions](#) of use.

Datasheets & Catalog Pages

[Products for Aerospace and Defense](#)

English

Instruction Sheets

[Instruction Sheet \(U.S.\)](#)

English