

326103 ✓ ACTIVE

AMPOWER | AMPOWER

TE Internal #: 326103

AMPOWER, Rings & Spades, Rectangular Tongue, 375000 – 450000CMA Wire Size, 3/8, Stud Diameter 9.91 mm [.39 in], Tongue Thickness 5.08 mm [.2 in]

[View on TE.com >](#)



Terminals & Splices > Rings & Spades > AMPOWER TERMINAL 1 STUD HOLE



Terminal & Splice Type: Rectangular Tongue

Wire Size: 375000 – 450000 CMA

Stud Size: 3/8

Stud Diameter: 9.91 mm [.39 in]

Tongue Thickness: 5.08 mm [.2 in]

[All AMPOWER TERMINAL 1 STUD HOLE \(52\)](#)

Features

Product Type Features

Stud Size	3/8
Barrel Type	Closed Barrel
Sealable	No
Insulated	No
Wire/Cable Type	Copper

Configuration Features

Number of Holes	1
Terminal Angle	Straight

Body Features

Inspection Slot	Yes
Weight per Piece	148.654 g
Plating Material	Tin

Contact Features

Military Part Class	Class II
Terminal & Splice Type	Rectangular Tongue
Terminal Orientation	Straight



Mechanical Attachment

Wire Insulation Support	Without
-------------------------	---------

Dimensions

Wire Size	375000 – 450000 CMA
Stud Diameter	9.91 mm [.39 in]
Tongue Thickness	5.08 mm [.2 in]
Overall Length	83.57 mm [3.2902 in]
Barrel Inside Diameter	24.92 mm [.981 in]

Usage Conditions

Operating Temperature Range	-55 – 105 °C [-67 – 221 °F]
-----------------------------	-----------------------------

Operation/Application

Heavy Duty	No
------------	----

Industry Standards

Government Qualified	No
----------------------	----

Packaging Features

Packaging Quantity	25
Packaging Method	Box

Other

Comment	Electrodeposited Tin Plate per MIL-T-10727.
---------	---

Product Compliance

[For compliance documentation, visit the product page on TE.com>](#)

EU RoHS Directive 2011/65/EU	Compliant
EU ELV Directive 2000/53/EC	Compliant
China RoHS 2 Directive MIIT Order No 32, 2016	No Restricted Materials Above Threshold
EU REACH Regulation (EC) No. 1907/2006	Current ECHA Candidate List: JUN 2020 (209) Candidate List Declared Against: JUL 2019 (201) Does not contain REACH SVHC
Halogen Content	Low Halogen - Br, Cl, F, I < 900 ppm per homogenous material. Also BFR/CFR/PVC Free
Solder Process Capability	Not applicable for solder process capability

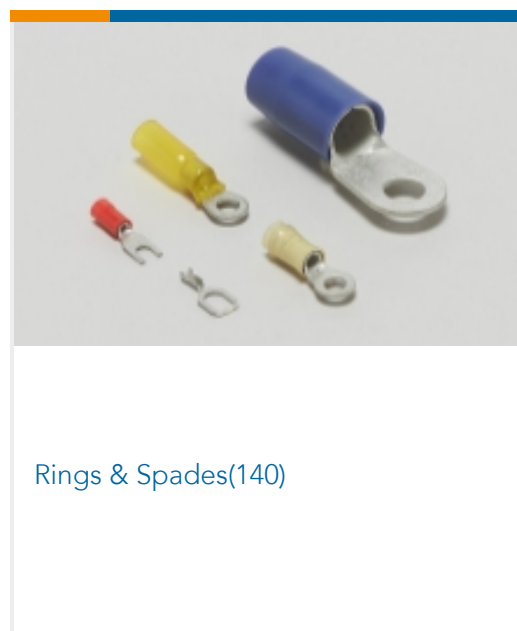
Product Compliance Disclaimer

This information is provided based on reasonable inquiry of our suppliers and represents our current actual knowledge based on the information they provided. This information is subject to change. The part numbers that TE has identified as EU RoHS compliant have a maximum concentration of 0.1% by weight in homogenous materials for lead, hexavalent chromium, mercury, PBB, PBDE, DBP, BBP, DEHP, DIBP, and 0.01% for cadmium, or qualify for an exemption to these limits as defined in the Annexes of Directive 2011/65/EU (RoHS2). Finished electrical and electronic equipment products will be CE marked as required by Directive 2011/65/EU. Components may not be CE marked. Additionally, the part numbers that TE has identified as EU ELV compliant have a maximum concentration of 0.1% by weight in homogenous materials for lead, hexavalent chromium, and mercury, and 0.01% for cadmium, or qualify for an exemption to these limits as defined in the Annexes of Directive 2000/53/EC (ELV). Regarding the REACH Regulation, the information TE provides on SVHC in articles for this part number is based on the latest European Chemicals Agency (ECHA) 'Guidance on requirements for substances in articles' posted at this URL: <https://echa.europa.eu/guidance-documents/guidance-on-reach>

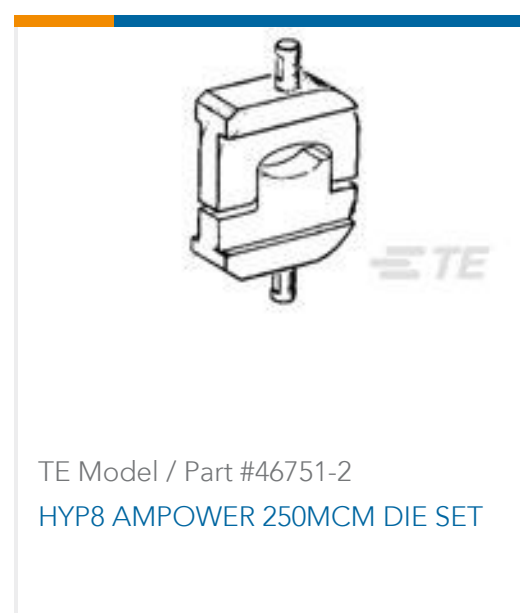
Compatible Parts



Also in the Series | AMPOWER



Customers Also Bought



Documents

Product Drawings



TERMINAL,AMPOWER 500MCM 3/8

English

CAD Files

3D PDF

3D

Customer View Model

[ENG_CVM_CVM_326103_AC.2d_dxf.zip](#)

English

Customer View Model

[ENG_CVM_CVM_326103_AC.3d_igs.zip](#)

English

Customer View Model

[ENG_CVM_CVM_326103_AC.3d_stp.zip](#)

English

By downloading the CAD file I accept and agree to the [Terms and Conditions](#) of use.

Datasheets & Catalog Pages

[AMPOWER Terminals and Splices Flyer](#)

English

Product Specifications

[Application Specification](#)

English

Instruction Sheets

[Instruction Sheet \(U.S.\)](#)

English

Agency Approvals

[UL Report](#)

English
