

W91-X112-15 ✓ ACTIVE

Potter & Brumfield | Potter & Brumfield W9

TE Internal #: 2-1393254-3

Potter & Brumfield W9, Circuit Breakers, Magnetic, Series Trip, Black Toggle Color, 277VAC Voltage Rating AC, 15A Current Rating, Pole Configuration 1

[View on TE.com >](#)



Relays, Contactors & Switches > Circuit Breakers



Circuit Breaker Type: **Magnetic**

Circuit Function: **Series Trip**

Illuminated: **No**

Toggle Color: **Black**

Voltage Rating AC: **277 VAC**

Features

Product Type Features

| | |
|----------------------|-----------------|
| Illumination Type | No Light |
| Product Type | Circuit Breaker |
| Actuator Type | Toggle |
| Circuit Breaker Type | Magnetic |
| Illuminated | No |
| Toggle Color | Black |

Configuration Features

| | |
|------------------|----------------|
| | .75 x 2.065 in |
| Earthing Switch | Without |
| Circuit Function | Series Trip |

Electrical Characteristics

| | |
|--------------------|----------------|
| Voltage Rating AC | 277 VAC |
| Current Rating | 15 A |
| Interrupt Capacity | 5000A @ 277VAC |

Contact Features

| | |
|--------------------|------------------|
| Pole Configuration | 1 |
| Trip Time at 200% | 2.2 – 20 seconds |

Termination Features



| | |
|------------------|------------|
| Termination Type | 10-32 Stud |
|------------------|------------|

Mechanical Attachment

| | |
|------------------------|----------------------------|
| Series/Mounting Option | W9 (6-32 Mounting Threads) |
| Mounting Options | 6-32 Mounting Threads |
| Mounting Type | Panel Mount |

Dimensions

| | |
|----------------------|-----------------|
| Circuit Breaker Size | 63.5 mm[2.5 in] |
|----------------------|-----------------|

Identification Marking

| | |
|----------------------|-------------------|
| Stamped Marking Type | International I/O |
|----------------------|-------------------|

Product Compliance

[For compliance documentation, visit the product page on TE.com>](#)

| | |
|---|---|
| EU RoHS Directive 2011/65/EU | Compliant with Exemptions |
| EU ELV Directive 2000/53/EC | Not Compliant |
| China RoHS 2 Directive MIIT Order No 32, 2016 | Restricted Materials Above Threshold |
| EU REACH Regulation (EC) No. 1907/2006 | Current ECHA Candidate List: JUN 2020 (209) Candidate List Declared Against: JAN 2019 (197) Does not contain REACH SVHC |
| Halogen Content | Low Halogen - Br, Cl, F, I < 900 ppm per homogenous material. Also BFR/CFR/PVC Free |
| Solder Process Capability | Not applicable for solder process capability |

Product Compliance Disclaimer

This information is provided based on reasonable inquiry of our suppliers and represents our current actual knowledge based on the information they provided. This information is subject to change. The part numbers that TE has identified as EU RoHS compliant have a maximum concentration of 0.1% by weight in homogenous materials for lead, hexavalent chromium, mercury, PBB, PBDE, DBP, BBP, DEHP, DIBP, and 0.01% for cadmium, or qualify for an exemption to these limits as defined in the Annexes of Directive 2011/65/EU (RoHS2). Finished electrical and electronic equipment products will be CE marked as required by Directive 2011/65/EU. Components may not be CE marked. Additionally, the part numbers that TE has identified as EU ELV compliant have a maximum concentration of 0.1% by weight in homogenous materials for lead, hexavalent chromium, and mercury, and 0.01% for cadmium, or qualify for an exemption to these limits as defined in the Annexes of Directive 2000/53/EC (ELV). Regarding the REACH Regulations, TE's information on SVHC in articles for this part number is still based on the European Chemical Agency (ECHA) 'Guidance on requirements for substances in articles' (Version: 2, April 2011), applying the 0.1% weight on weight concentration threshold at the finished product level. TE is aware of the European Court of Justice ruling of September 10th, 2015 also known as O5A (Once An Article Always An Article) stating that, in case of 'complex object', the threshold for a SVHC must be applied to both the product as a whole and simultaneously to each of the articles forming part of its composition. TE has evaluated this ruling based on the new ECHA "Guidance on requirements for substances in articles" (June 2017, version 4.0) and will be updating its statements accordingly.



Compatible Parts



TE Model / Part # CAT-P592-R472A
PIDG RING TONGUE TERMINALS



TE Model / Part # CAT-P592-SP118
PIDG SPADE TONGUE TERMINALS



TE Model / Part # 1-1393254-7
W91-X1110-15=M6/M7/M9/W6/W7




TE Model / Part # 4-1393254-3
W91-X152-15=M6/M7/M9/W6/W7



TE Model / Part # 3-1393254-5
W91-X113-15=M6/M7/M9/W6/W7

Also in the Series | Potter & Brumfield W9



Circuit Breakers(70)

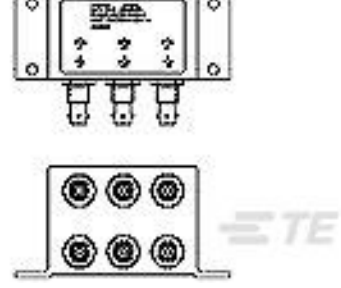
Customers Also Bought



TE Model / Part #2-1393254-8
W91-X112-30=M6/M7/M9/W6/W7



TE Model / Part #2-1393254-5
W91-X112-20=M6/M7/M9/W6/W7



TE Model / Part #795991-000
D-500-0255-541-1



TE Model / Part #8-1437558-3
MTF106D=(MST-49) SW TOG SPDT



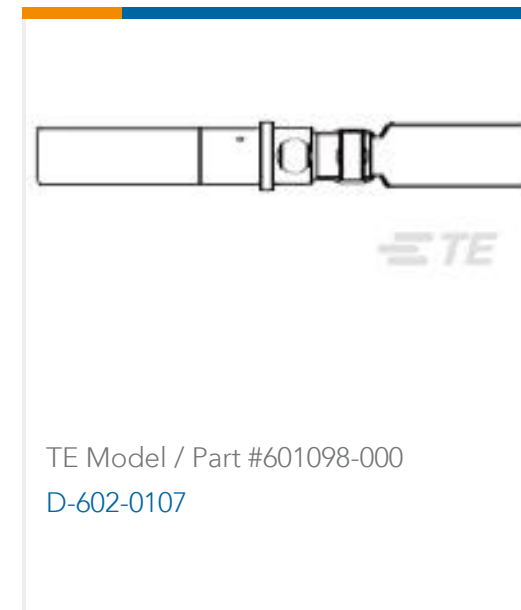
TE Model / Part #3-1393254-0
W91-X112-5=M6/M7/M9/W6/W7



TE Model / Part #4-1393117-2
KUP-11D11-24=KU



TE Model / Part #1-1393766-0
R10-E1X2-115V=R10



TE Model / Part #601098-000
D-602-0107



TE Model / Part #1757829-3
AMPLIMITE,PLUG ASY,POSTD,109,ZN,
3



TE Model / Part #625134-000
D-110-40

Documents

CAD Files

3D PDF

3D

Customer View Model

[ENG_CVM_CVM_2-1393254-3_D.2d_dxf.zip](#)

English

Customer View Model

[ENG_CVM_CVM_2-1393254-3_D.3d_igs.zip](#)

English

Customer View Model

[ENG_CVM_CVM_2-1393254-3_D.3d_stp.zip](#)

English

By downloading the CAD file I accept and agree to the [Terms and Conditions](#) of use.

Datasheets & Catalog Pages

[W6/W9 Magnetic Hydraulic Circuit Breaker](#)

English

[Industrial Relays Quick Reference Guide](#)

English

Agency Approvals

[UL](#)

English