



AMP

TE Internal #: 1583662-1

Portable Crimp Tools, Removable/Interchangeable, Hydraulic (10,000 psi), Head Assembly

[View on TE.com >](#)

Application Tooling > Portable Crimp Tools



Die Sets Type: **Removable/Interchangeable**

Power Type: **Hydraulic (10,000 psi)**

Tool Type: **Head Assembly**

Features

Other

Die Sets Type	Removable/Interchangeable
Power Type	Hydraulic (10,000 psi)
Tool Type	Head Assembly

Product Compliance

[For compliance documentation, visit the product page on TE.com>](#)

EU RoHS Directive 2011/65/EU	Out of Scope
EU ELV Directive 2000/53/EC	Out of Scope
China RoHS 2 Directive MIIT Order No 32, 2016	Not reviewed for China RoHS compliance
EU REACH Regulation (EC) No. 1907/2006	Current ECHA Candidate List: JUN 2020 (209) Candidate List Declared Against: JUN 2016 (169) Does not contain REACH SVHC
Halogen Content	Low Halogen - Br, Cl, F, I < 900 ppm per homogenous material. Also BFR/CFR/PVC Free
Solder Process Capability	Not applicable for solder process capability

Product Compliance Disclaimer

This information is provided based on reasonable inquiry of our suppliers and represents our current actual knowledge based on the information they provided. This information is subject to change. The part numbers that TE has identified as EU RoHS compliant have a maximum concentration of 0.1% by weight in homogenous materials for lead, hexavalent chromium, mercury, PBB, PBDE, DBP, BBP, DEHP, DIBP, and 0.01% for cadmium, or qualify for an exemption to these limits as defined in the Annexes of Directive 2011/65/EU (RoHS2). Finished electrical and electronic equipment products

will be CE marked as required by Directive 2011/65/EU. Components may not be CE marked. Additionally, the part numbers that TE has identified as EU ELV compliant have a maximum concentration of 0.1% by weight in homogenous materials for lead, hexavalent chromium, and mercury, and 0.01% for cadmium, or qualify for an exemption to these limits as defined in the Annexes of Directive 2000/53/EC (ELV). Regarding the REACH Regulation, the information TE provides on SVHC in articles for this part number is based on the latest European Chemicals Agency (ECHA) 'Guidance on requirements for substances in articles' posted at this URL: <https://echa.europa.eu/guidance-documents/guidance-on-reach>

Compatible Parts



TE Model / Part # 1804700-1
HYP10 110V HEAVY DUTY ELECTRIC PUMP



TE Model / Part # 1804700-2
HYP10 220V HEAVY DUTY ELECTRIC PUMP


Customers Also Bought



TE Model / Part #2-33722-1
TERMINAL,DG R 16-14HD 10



TE Model / Part #2836079-2
OCEAN-2.0-APPLICATOR-S-190F409O



TE Model / Part #7-2836079-7
OCEAN_2.0_SPARE_PART_KIT-190F409O



TE Model / Part #1-1633930-5
ANVIL,COMBINATION



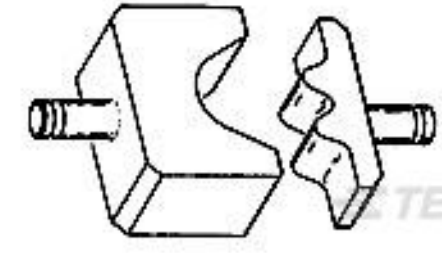
TE Model / Part #1333207-4
ANVIL, COMBINATION .110



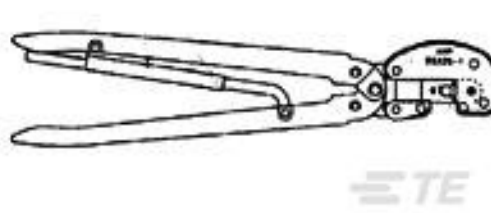
TE Model / Part #2266483-1
OC-AT-S-FM-067F077O-023-0442



TE Model / Part #2836244-1
OCEAN-2.0-APPLICATOR-S-090F155O



TE Model / Part #48817
HYP8/10 SOLIS 300-350MCM 69060 DIE SET



TE Model / Part #59054
HHHT DG 12-10



TE Model / Part #CM1842-000
VERSAFIT-1/2-0-16IN

Documents

[Datasheets & Catalog Pages](#)



[AT-Hydraulic Crimp Tooling Solutions-1654519](#)

English

[Crimp Term Whitepaper-Use the Right Tool 1-1773953-1](#)

English

[CRIMPING WHERE FORM MEETS FUNCTION](#)

English

[Bottoming Dies](#)

English

[Instruction Sheets](#)

[Instruction Sheet \(U.S.\)](#)

English