



AMP

TE Internal #: 2335500-1

Benchtop Crimping & Wire Stripping Machines, Worldwide, Wire Application Range 8 – 0000 AWG, Wire Application Range 10 – 120 mm², High Voltage

[View on TE.com >](#)

Application Tooling > Benchtop Crimping & Wire Stripping Machines



Benchtop Crimping & Wire Stripping Machine Region: **Worldwide**

Wire Application Range: **10 – 120 mm²**

Applicator & Product Style: **High Voltage**

Split Cycle: **Yes**

Features

Product Availability

Benchtop Crimping & Wire Stripping Machine Region	Worldwide
---	-----------

Other

Operating Voltage	380-420 VAC, 50/60 Hz, Three Phase Current
Wire Application Range	10 – 120 mm ²
Applicator & Product Style	High Voltage
Split Cycle	Yes
Stripping	No
Crimp Quality Monitor	No
Splice	Yes

Product Compliance

[For compliance documentation, visit the product page on TE.com>](#)

EU RoHS Directive 2011/65/EU	Out of Scope
EU ELV Directive 2000/53/EC	Out of Scope
China RoHS 2 Directive MIIT Order No 32, 2016	Restricted Materials Above Threshold
EU REACH Regulation (EC) No. 1907/2006	Current ECHA Candidate List: JUN 2020 (209) Candidate List Declared Against: JAN 2019 (197)

Does not contain REACH SVHC

Halogen Content

Not Yet Reviewed for halogen content

Solder Process Capability

Not applicable for solder process capability

Product Compliance Disclaimer

This information is provided based on reasonable inquiry of our suppliers and represents our current actual knowledge based on the information they provided. This information is subject to change. The part numbers that TE has identified as EU RoHS compliant have a maximum concentration of 0.1% by weight in homogenous materials for lead, hexavalent chromium, mercury, PBB, PBDE, DBP, BBP, DEHP, DIBP, and 0.01% for cadmium, or qualify for an exemption to these limits as defined in the Annexes of Directive 2011/65/EU (RoHS2). Finished electrical and electronic equipment products will be CE marked as required by Directive 2011/65/EU. Components may not be CE marked. Additionally, the part numbers that TE has identified as EU ELV compliant have a maximum concentration of 0.1% by weight in homogenous materials for lead, hexavalent chromium, and mercury, and 0.01% for cadmium, or qualify for an exemption to these limits as defined in the Annexes of Directive 2000/53/EC (ELV). Regarding the REACH Regulation, the information TE provides on SVHC in articles for this part number is based on the latest European Chemicals Agency (ECHA) 'Guidance on requirements for substances in articles' posted at this URL: <https://echa.europa.eu/guidance-documents/guidance-on-reach>

Compatible Parts



TE Model / Part # 2305470-1
HV MODULAR DIE HOLDER WITH FINE ADJUST




TE Model / Part # 2234443-1
HV MODULAR DIE HOLDER WITH FINE ADJUST



TE Model / Part # 2348306-1
KIT, CQM II, HFT



TE Model / Part # 2335400-1
HV-CP

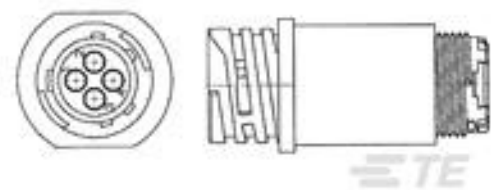


TE Model / Part # 2234939-1
ADAPTOR ASSY, HV APPLICATOR



TE Model / Part # 2359204-1
TOOL, CHANGE, MANDREL

Customers Also Bought



TE Model / Part #788159-1
SLD CPC 13-9 RCPT,STD,SM INS



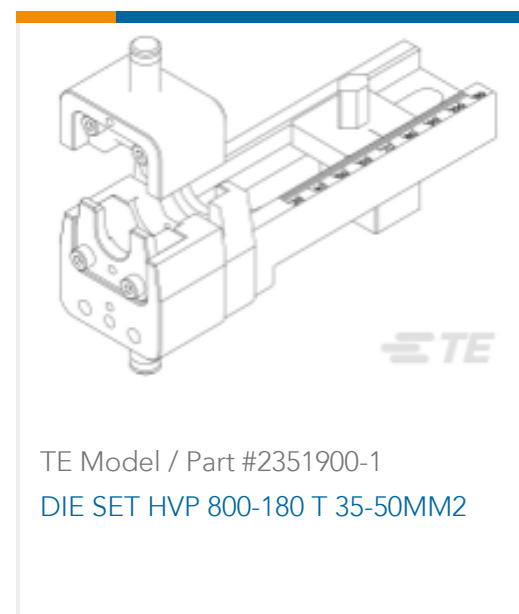
TE Model / Part #HDP24-24-35SE
REC, 35P, BLK, E, 16/20, S



TE Model / Part #CAR3SC00
CAR RECPT DIN9680 3way



TE Model / Part #DARS24296-000A3
CAR PIN STANDARD CONT. #5, silver plated



Documents

Datasheets & Catalog Pages

High Voltage Cable Processing Solutions

English

Instruction Sheets

High Force 20 (HF-20) Terminator, PN 2335500-[], and High Voltage 20 (HV-20) Terminator, PN 2348822-[]

High Force 20 (HF-20) Terminator, PN 2335500-[], and High Voltage 20 (HV-20) Terminator, PN 2348822-[]

German

High Force 20 (HF-20) Terminator, PN 2335500-[], and High Voltage 20 (HV-20) Terminator, PN 2348822-[]

English

High Force 20 (HF-20) Terminator, PN 2335500-[], and High Voltage 20 (HV-20) Terminator, PN 2348822-[]

High Force 20 (HF-20) Terminator, PN 2335500-[], and High Voltage 20 (HV-20) Terminator, PN 2348822-[]

French

High Force 20 (HF-20) Terminator, PN 2335500-[], and High Voltage 20 (HV-20) Terminator, PN 2348822-[]

High Force 20 (HF-20) Terminator, PN 2335500-[], and High Voltage 20 (HV-20) Terminator, PN 2348822-[]

High Force 20 (HF-20) Terminator, PN 2335500-[], and High Voltage 20 (HV-20) Terminator, PN 2348822-[]

Agency Approvals

CE Declaration of Conformity

CE Declaration of Conformity

CE Declaration of Conformity

CE Declaration of Conformity

German

CE Declaration of Conformity



English

[CE Declaration of Conformity](#)

[CE Declaration of Conformity](#)

French

[CE Declaration of Conformity](#)

[CE Declaration of Conformity](#)

[CE Declaration of Conformity](#)

[CE Declaration of Conformity](#)

[CE Declaration of Conformity](#)

[CE Declaration of Conformity](#)

[CE Declaration of Conformity](#)

[CE Declaration of Conformity](#)

[CE Declaration of Conformity](#)

[CE Declaration of Conformity](#)

[CE Declaration of Conformity](#)