

1-102316-3 ✓ ACTIVE

AMPMODU | AMPMODU IV/V

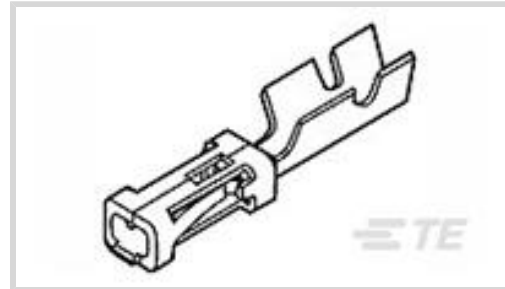
TE Internal #: 1-102316-3

AMPMODU IV/V, Connector Contact, Socket, Wire-to-Board, 32 – 27AWG Wire Size, 59.2 – 197.35CMA Wire Size, .03 – .1mm² Wire Size, Gold, Loose Piece

[View on TE.com >](#)



Connectors > PCB Connectors > Wire-to-Board Connectors > Wire-to-Board Connector Contacts



Contact Type: **Socket**

Connector System: **Wire-to-Board**

Wire Size: **.03 – .1 mm²**

Features

Product Type Features

| | |
|-----------------------------------|---------------|
| Applied Pressure | Standard |
| Connector System | Wire-to-Board |
| Connector & Contact Terminates To | Wire & Cable |

Configuration Features

| | |
|-----------------------------------|---------------|
| Compatible With Wire & Cable Type | Discrete Wire |
|-----------------------------------|---------------|

Electrical Characteristics

| | |
|---------------------------------------|---------|
| Termination Resistance | 12 mΩ |
| Insulation Resistance | 5000 MΩ |
| Dielectric Withstanding Voltage (Max) | 750 V |
| Operating Voltage | 250 VAC |

Contact Features

| | |
|------------------------------------------------|----------------------------|
| | 15 μin |
| Wire Contact Termination Area Plating Material | Tin-Lead over Nickel |
| Contact Base Material | Copper-Tin-Phosphor Bronze |
| Contact Type | Socket |
| Contact Mating Area Plating Material | Gold |
| Contact Current Rating (Max) | 3 A |

Termination Features

| | |
|------------------------------------|-------|
| Termination Method to Wire & Cable | Crimp |
|------------------------------------|-------|



Mechanical Attachment

| | |
|-------------------------|------|
| Wire Insulation Support | With |
|-------------------------|------|

Dimensions

| | |
|----------------------------------------|--------------------------|
| Accepts Wire Insulation Diameter Range | 1.02 mm[.04 in] |
| Wire Size | .03 – .1 mm ² |

Usage Conditions

| | |
|-----------------------------|----------------------------|
| Operating Temperature Range | -65 – 105 °C[-85 – 221 °F] |
|-----------------------------|----------------------------|

Operation/Application

| | |
|---------------------|----------------|
| Circuit Application | Power & Signal |
|---------------------|----------------|

Industry Standards

| | |
|--------------------|-----------------------|
| Approved Standards | CSA LR7189, UL E28476 |
|--------------------|-----------------------|

Packaging Features

| | |
|--------------------|-------------|
| Packaging Quantity | 1000 |
| Packaging Method | Loose Piece |

Other

| | |
|---------|-----------------------------------------------------------------------------------------------------------------------|
| Comment | (*) For use with Model "K" machines. Call the Technical Assistance Center (1-800-522-6752) for any tooling questions. |
|---------|-----------------------------------------------------------------------------------------------------------------------|

Product Compliance

[For compliance documentation, visit the product page on TE.com>](#)

| | |
|-----------------------------------------------|-------------------------------------------------------------------------------------------------------------------------------|
| EU RoHS Directive 2011/65/EU | Compliant |
| EU ELV Directive 2000/53/EC | Compliant |
| China RoHS 2 Directive MIIT Order No 32, 2016 | No Restricted Materials Above Threshold |
| EU REACH Regulation (EC) No. 1907/2006 | Current ECHA Candidate List: JUN 2020 (209) Candidate List Declared Against: JAN 2020 (205) Does not contain REACH SVHC |
| Halogen Content | Low Halogen - Br, Cl, F, I < 900 ppm per homogenous material. Also BFR/CFR/PVC Free |
| Solder Process Capability | Not applicable for solder process capability |

Product Compliance Disclaimer

This information is provided based on reasonable inquiry of our suppliers and represents our current actual knowledge based on the information they provided. This information is subject to change. The part numbers that TE has identified as EU RoHS compliant have a maximum concentration of 0.1% by weight in homogenous materials for lead, hexavalent chromium, mercury, PBB, PBDE, DBP, BBP, DEHP, DIBP, and 0.01% for cadmium, or qualify for an exemption to these limits as defined in the Annexes of Directive 2011/65/EU (RoHS2). Finished electrical and electronic equipment products will be CE marked as required by Directive 2011/65/EU. Components may not be CE marked. Additionally, the part numbers that TE has identified as EU ELV compliant have a maximum concentration of 0.1% by weight in homogenous materials for lead, hexavalent chromium, and mercury, and 0.01% for cadmium, or qualify for an exemption to these limits as defined in the Annexes of Directive 2000/53/EC (ELV). Regarding the REACH Regulation, the information TE provides on SVHC in articles for this part number is based on the latest European Chemicals Agency (ECHA) 'Guidance on requirements for substances in articles' posted at this URL: <https://echa.europa.eu/guidance-documents/guidance-on-reach>

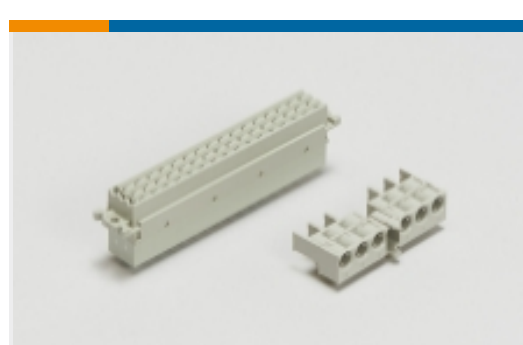
Also in the Series | AMPMODU IV/V



Automotive, Truck, Bus, & Off-Road Headers(2)



Automotive, Truck, Bus, & Off-Road Housings(4)



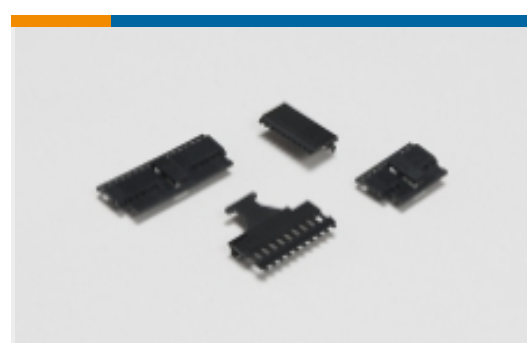
Backplane Connector Housings(1)



Board-to-Board Connector Contacts(6)



Board-to-Board Headers & Receptacles(788)



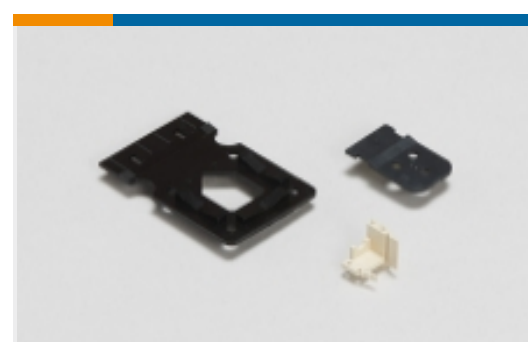
PCB Connector Covers(15)



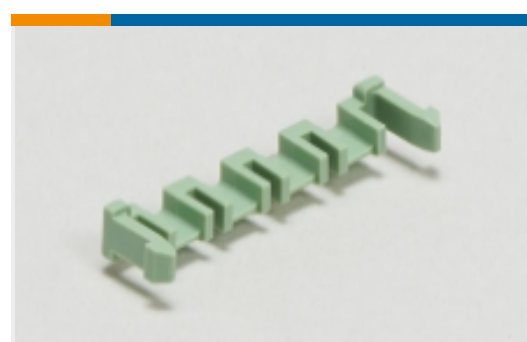
PCB Connector Keying(6)



PCB Connector Mounting(1)



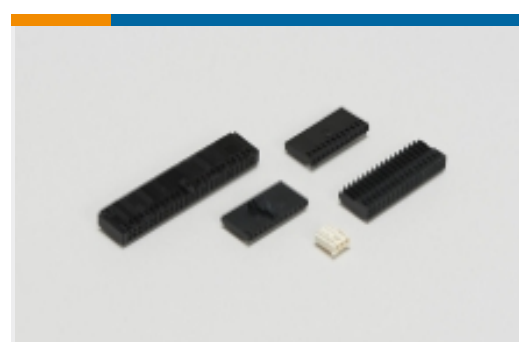
PCB Connector Strain Relief(2)



PCB Latches, Locks & Retainers(10)



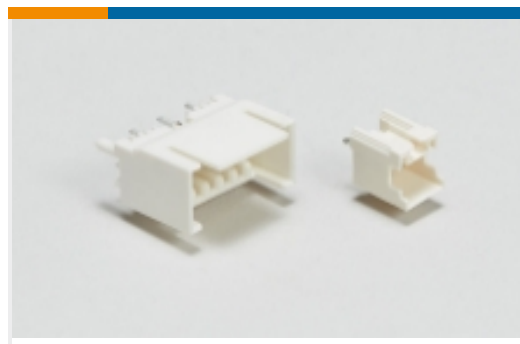
Rectangular Connector Housings(2)



Wire-to-Board Connector Assemblies & Housings(450)

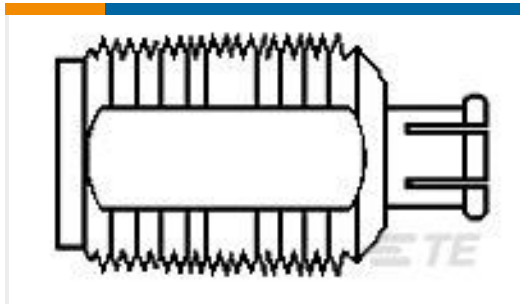


Wire-to-Board Connector Contacts
(317)



Wire-to-Board Headers & Receptacles
(8)

Customers Also Bought



TE Model / Part #1055694-1
2380 2240 00



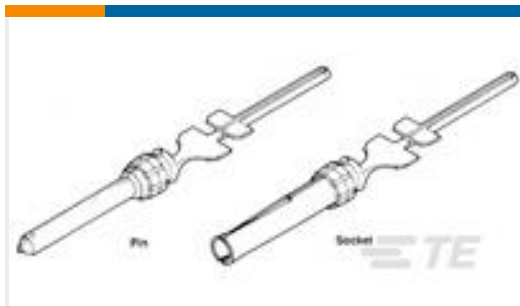
TE Model / Part #5747100-1
CABLE CLAMP KIT, SZ 4



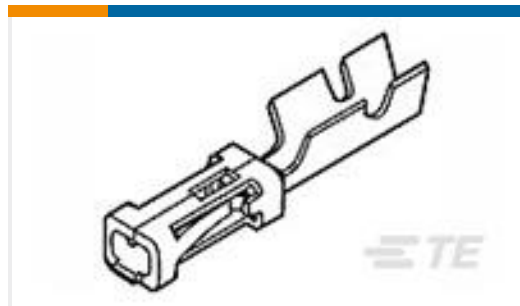
TE Model / Part #1532213-1
M83513/01-EN, MCKS-N1-B-31PS



TE Model / Part #104483-5
30 SHORT PT RCPT HSG DR .100CL



TE Model / Part #5-745288-8
20 DF SKT CONTACT DUPLEX/LP



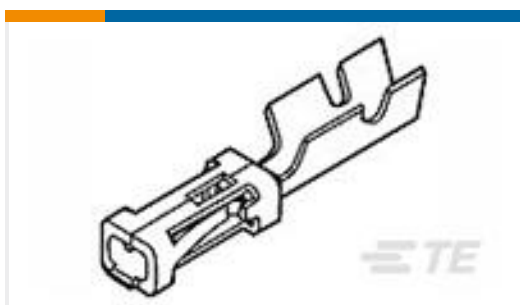
TE Model / Part #6-102316-3
MOD IV RECP LP LF



TE Model / Part #87456-1
06 MODIV HSG COMP DR .100CL



TE Model / Part #1-102241-6
18 MODIV HSG COMP SR .100 POL



TE Model / Part #102316-6
MOD IV RECP PLTD 15 DPLX



TE Model / Part #3-1393143-4
27E317=SOCKETS

Documents

Product Drawings

[MOD IV RECP LP](#)

English

CAD Files

[3D PDF](#)

3D

Customer View Model

[ENG_CVM_CVM_1-102316-3_AF_c-1-102316-3-af.2d_dxf.zip](#)



English

Customer View Model

[ENG_CVM_CVM_1-102316-3_AF_c-1-102316-3-af.3d_igs.zip](#)

English

Customer View Model

[ENG_CVM_CVM_1-102316-3_AF_c-1-102316-3-af.3d_stp.zip](#)

English

By downloading the CAD file I accept and agree to the [Terms and Conditions](#) of use.

Datasheets & Catalog Pages

[AMP MODU IV & V Section of Catalog 1307819](#)

English

Product Specifications

[Application Specification](#)

English