

535090-5 ✓ ACTIVE

EUROCARD

TE Internal #: 535090-5

Eurocard Connectors, Receptacle, Board-to-Board, Termination

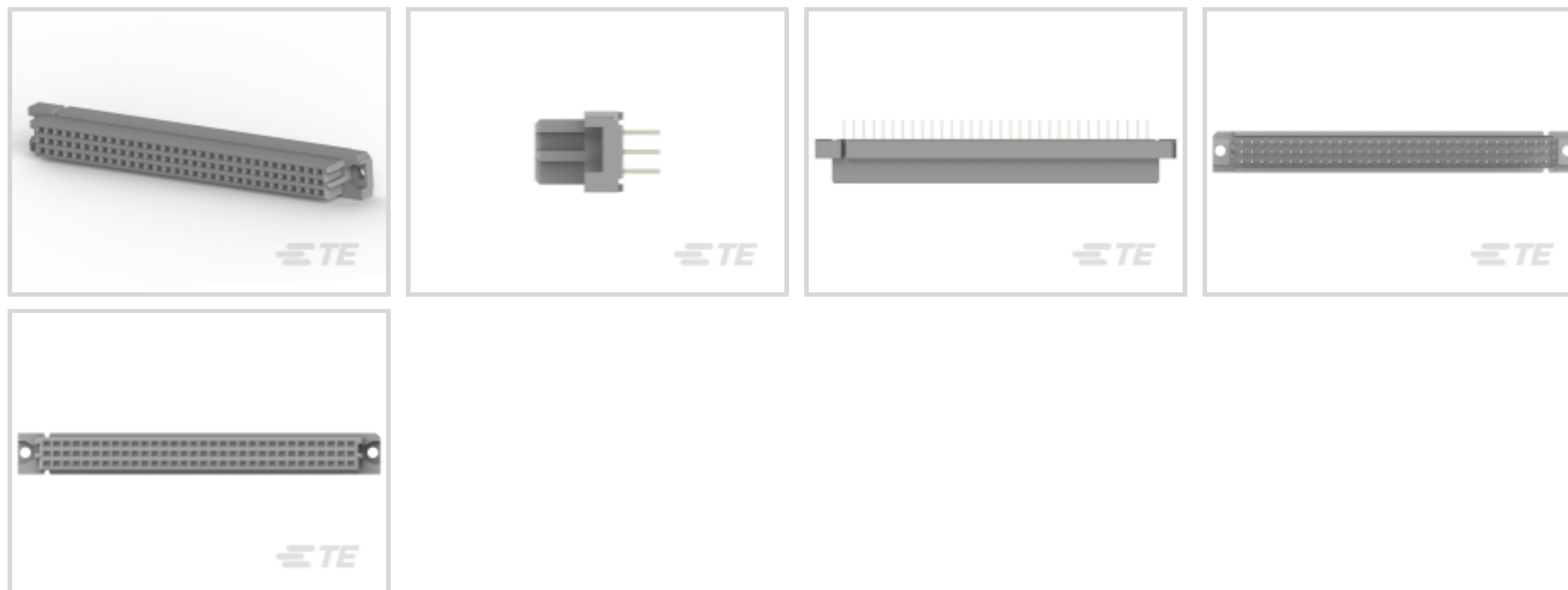
Post & Tail Length 3.3 mm [.13 in], 96 Position, 2.54mm [.1in]

Centerline

[View on TE.com >](#)



Connectors > PCB Connectors > Backplane Connectors > Eurocard Connectors



Connector & Housing Type: **Receptacle**

Connector System: **Board-to-Board**

Termination Post & Tail Length: **3.3 mm [.13 in]**

Number of Positions: **96**

Centerline (Pitch): **2.54 mm [.1 in]**

Features

Product Type Features

Connector & Housing Type	Receptacle
Connector System	Board-to-Board
Sealable	No
Connector & Contact Terminates To	Printed Circuit Board
DIN Size	Standard
DIN Level	II

Configuration Features

Number of Positions	96
Number of Rows	3
PCB Mount Orientation	Vertical
Number of Columns	32
Rows Loaded	A, B, C
Number of Signal Positions	96

Termination Features



Termination Post & Tail Length	3.3 mm [.13 in]
--------------------------------	-----------------

Mechanical Attachment

Connector Mounting Type	Board Mount
-------------------------	-------------

Housing Features

Centerline (Pitch)	2.54 mm [.1 in]
--------------------	-----------------

Dimensions

Row-to-Row Spacing	2.54 mm [.1 in]
--------------------	-----------------

Usage Conditions

Operating Temperature Range	-55 – 105 °C [-67 – 221 °F]
-----------------------------	-----------------------------

Operation/Application

Circuit Application	Signal
---------------------	--------

Product Compliance

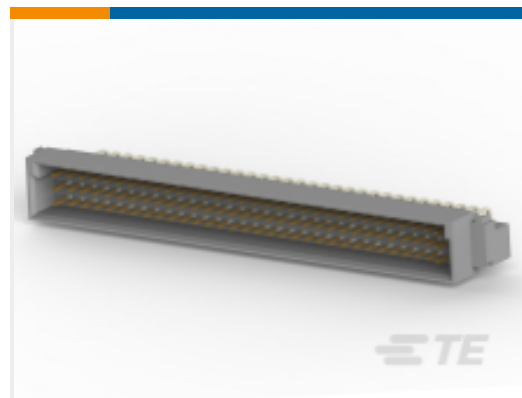
[For compliance documentation, visit the product page on TE.com>](#)

EU RoHS Directive 2011/65/EU	Not Compliant
EU ELV Directive 2000/53/EC	Not Compliant
China RoHS 2 Directive MIIT Order No 32, 2016	Restricted Materials Above Threshold
EU REACH Regulation (EC) No. 1907/2006	Current ECHA Candidate List: JUN 2020 (209) Candidate List Declared Against: JAN 2020 (205) Pb (13% in Component Part) Article Safe Usage Statements: Do not eat, drink or smoke when using this product. Wash thoroughly after handling. Recycle if possible and dispose of the article by following all applicable governmental regulations relevant to your geographic location.
Halogen Content	Not Low Halogen - contains Br or Cl > 900 ppm.
Solder Process Capability	Wave solder capable to 240°C

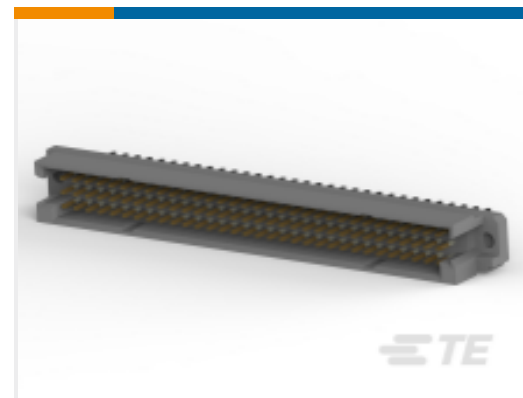
Product Compliance Disclaimer

This information is provided based on reasonable inquiry of our suppliers and represents our current actual knowledge based on the information they provided. This information is subject to change. The part numbers that TE has identified as EU RoHS compliant have a maximum concentration of 0.1% by weight in homogenous materials for lead, hexavalent chromium, mercury, PBB, PBDE, DBP, BBP, DEHP, DIBP, and 0.01% for cadmium, or qualify for an exemption to these limits as defined in the Annexes of Directive 2011/65/EU (RoHS2). Finished electrical and electronic equipment products will be CE marked as required by Directive 2011/65/EU. Components may not be CE marked. Additionally, the part numbers that TE has identified as EU ELV compliant have a maximum concentration of 0.1% by weight in homogenous materials for lead, hexavalent chromium, and mercury, and 0.01% for cadmium, or qualify for an exemption to these limits as defined in the Annexes of Directive 2000/53/EC (ELV). Regarding the REACH Regulation, the information TE provides on SVHC in articles for this part number is based on the latest European Chemicals Agency (ECHA) 'Guidance on requirements for substances in articles' posted at this URL: <https://echa.europa.eu/guidance-documents/guidance-on-reach>

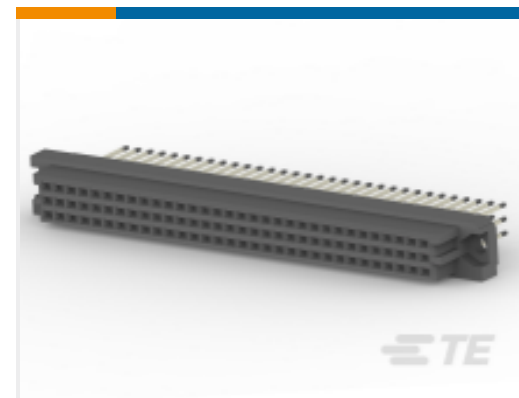
Compatible Parts



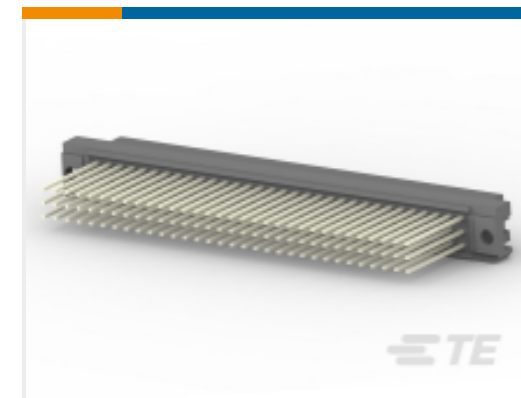
TE Model / Part # 5536437-4
ASSY,PIN,EUROCARD,TYPE C,LEAD-FREE,96 PO



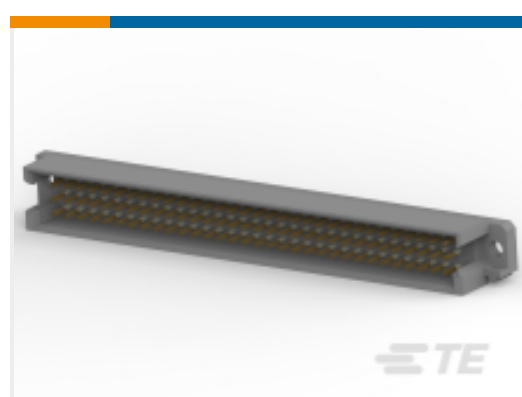
TE Model / Part # 650889-5
096 EURO TYPE R PIN AP ASSY



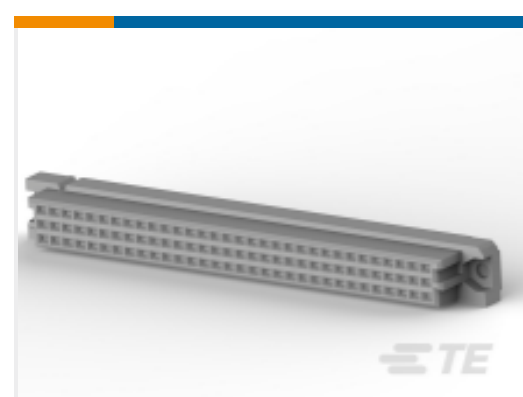
TE Model / Part # 5148057-5
ASSY,RECEPTACLE,EUROCARD,TYPE C,LEAD-FRE



TE Model / Part # 1-148059-5
096 EURO TYP C RECP 17MM ASSY



TE Model / Part # 5650470-5
ASSY,PIN,EUROCARD,TYPE R,LEAD-



TE Model / Part # 5535089-5
ASSEMBLY,RECEPTACLE,EUROCARD, T



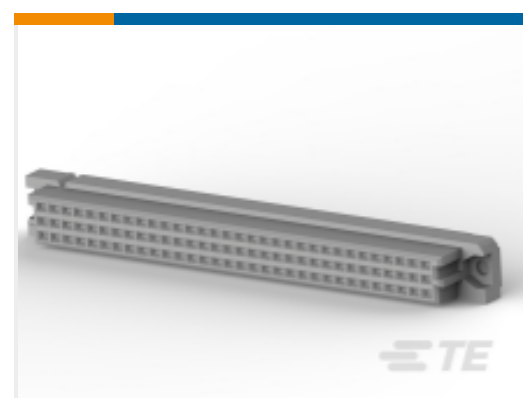
TE Model / Part # 650473-5
096 EURO TYPE C PIN ST ASSY



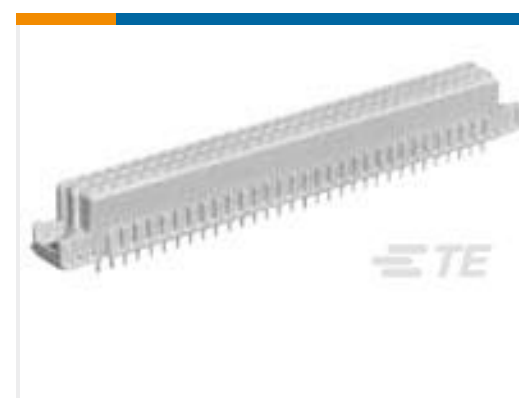
TE Model / Part # 650913-5
096 EURO TYPE C PIN BL ASSY



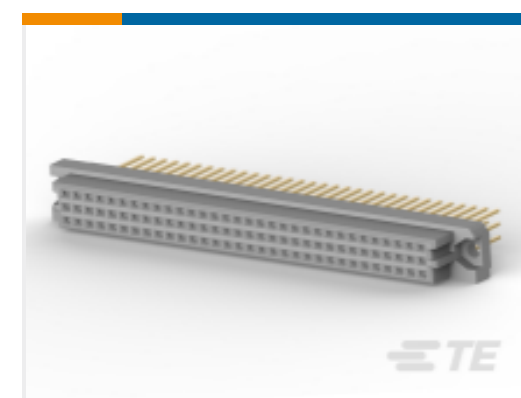
TE Model / Part # 5650963-5
ASSY,RECEPTACLE,EUROCARD,TYPE



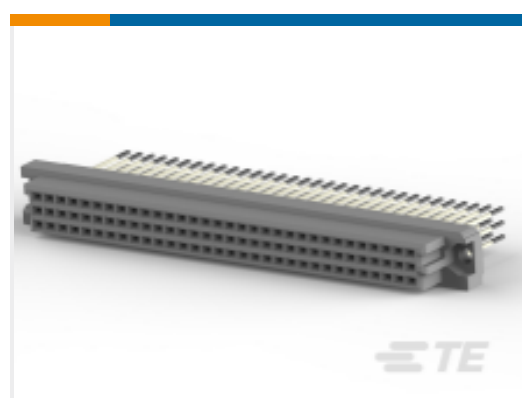
TE Model / Part # 5535032-4
ASSY,RECEPTACLE,EUROCARD,TYPE



TE Model / Part # 9-1393640-2
V42254B2201C960=PC612 FEDERLEI



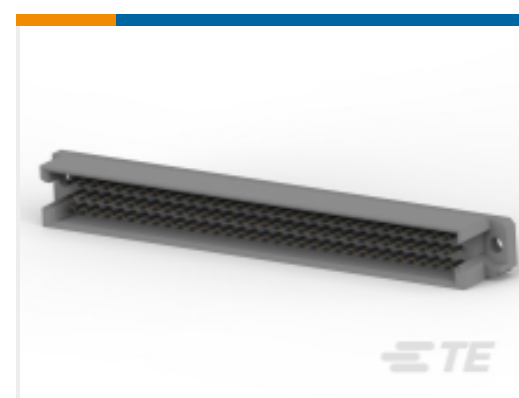
TE Model / Part # 1-148057-5
096 EURO TYP C RECP 13MM ASSY



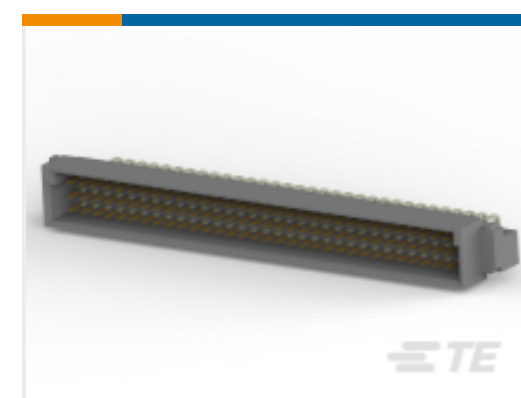
TE Model / Part # 5148059-5
ASSY,RECEPTACLE,EUROCARD,TYPE C,LEAD-FRE



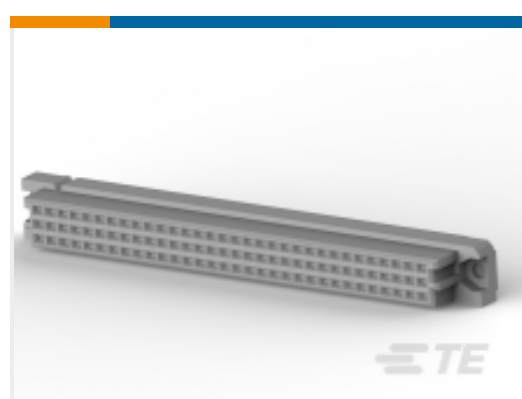
TE Model / Part # 9-1393644-1
V42254B1200C960=PC612 MESSERLE



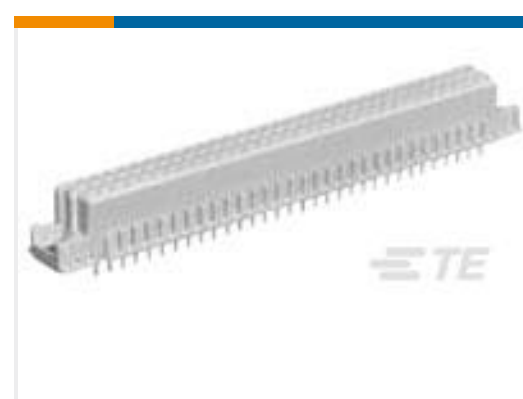
TE Model / Part # 5650908-5
ASSY,PIN,EUROCARD,TYPE R,LEAD-



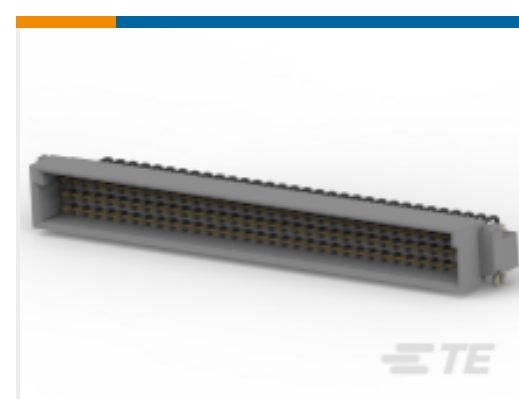
TE Model / Part # 5650473-5
ASSY,PIN,EUROCARD,TYPE C,LEAD-



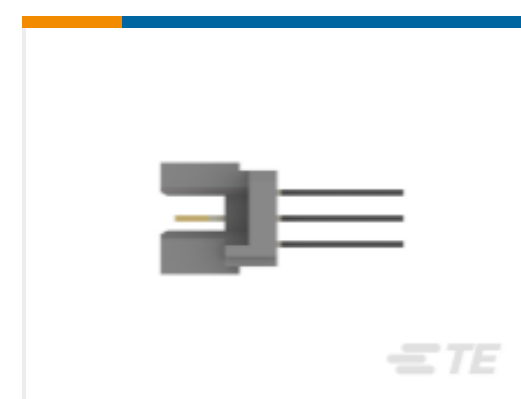
TE Model / Part # 5535043-4
ASSY,RECEPTACLE,EUROCARD,TYPE



TE Model / Part # 4-1393637-6
V42254P2263C960=PC612 FEDERLEI

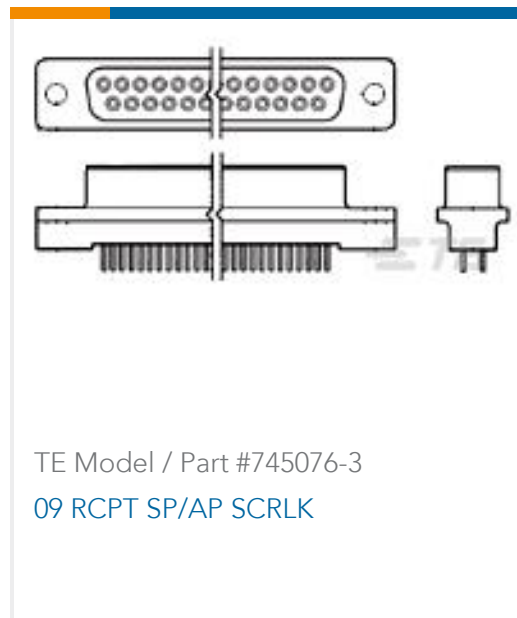


TE Model / Part # 5650913-5
ASSY,PIN,EUROCARD,TYPE C,LEAD-



TE Model / Part # 1-536067-4
096 EURO TYPE R PIN AP ASSY

Customers Also Bought



Documents

Product Drawings

[096 EURO TYPE C RECEPT ST ASSY](#)

English

CAD Files

[3D PDF](#)

3D

Customer View Model

[ENG_CVM_CVM_535090-5_S.2d_dxf.zip](#)

English

Customer View Model

[ENG_CVM_CVM_535090-5_S.3d_igs.zip](#)

English

Customer View Model

[ENG_CVM_CVM_535090-5_S.3d_stp.zip](#)

English

By downloading the CAD file I accept and agree to the [Terms and Conditions](#) of use.

Product Specifications



Application Specification

English

Product Environmental Compliance

TE Material Declaration

English