



AMP-IN

TE Internal #: 350015-2

PCB Terminals, Pin, Receptacle, PCB Terminal Mating Pin Diameter

.093 in [2.36 mm], 22 – 18AWG Wire Size, .3 – .9mm² Wire Size,

Crimp

[View on TE.com >](#)

Terminals & Splices > PCB Terminals



Terminal & Splice Type: **Pin**

PCB Terminal Terminal Type: **Receptacle**

PCB Terminal Mating Pin Diameter: **2.36 mm [.093 in]**

Wire Size: **.3 – .9 mm²**

Features

Product Type Features

PCB Terminal Mounting Style	Stud Mount
Terminates To	Wire & Cable

Configuration Features

Stud Hole	No
Terminal Angle	Straight

Body Features

PCB Terminal Plating Material	Pre-Tin
-------------------------------	---------

Contact Features

Contact Plating Material	Tin
Terminal & Splice Type	Pin
PCB Terminal Terminal Type	Receptacle
PCB Terminal Mating Pin Diameter	2.36 mm[.093 in]
Terminal Size	Miniature
PCB Terminal Terminal Orientation	Straight



Termination Features

PCB Terminal Termination Method	Crimp
---------------------------------	-------

Mechanical Attachment

Wire Insulation Support	Without
-------------------------	---------

Dimensions

Wire Size	.3 – .9 mm ²
Receptacle Terminal Stock Thickness	.3 mm [.012 in]

Usage Conditions

Operating Temperature Range	-55 – 105 °C [-67 – 221 °F]
-----------------------------	-----------------------------

Packaging Features

Packaging Quantity	6000
PCB Terminal Packaging Method	Reel

Product Compliance

[For compliance documentation, visit the product page on TE.com>](#)

EU RoHS Directive 2011/65/EU	Compliant
EU ELV Directive 2000/53/EC	Compliant
China RoHS 2 Directive MIIT Order No 32, 2016	No Restricted Materials Above Threshold
EU REACH Regulation (EC) No. 1907/2006	Current ECHA Candidate List: JUN 2020 (209) Candidate List Declared Against: JAN 2020 (205) Does not contain REACH SVHC
Halogen Content	Low Halogen - Br, Cl, F, I < 900 ppm per homogenous material. Also BFR/CFR/PVC Free
Solder Process Capability	Not applicable for solder process capability

Product Compliance Disclaimer

This information is provided based on reasonable inquiry of our suppliers and represents our current actual knowledge based on the information they provided. This information is subject to change. The part numbers that TE has identified as EU RoHS compliant have a maximum concentration of 0.1% by weight in homogenous materials for lead, hexavalent chromium, mercury, PBB, PBDE, DBP, BBP, DEHP, DIBP, and 0.01% for cadmium, or qualify for an exemption to these limits as defined in the Annexes of Directive 2011/65/EU (RoHS2). Finished electrical and electronic equipment products will be CE marked as required by Directive 2011/65/EU. Components may not be CE marked. Additionally, the part numbers that TE has identified as EU ELV compliant have a maximum concentration of 0.1% by weight in homogenous materials for lead, hexavalent chromium, and mercury, and 0.01% for cadmium, or qualify for an exemption to these limits as defined in the Annexes of Directive 2000/53/EC (ELV). Regarding the REACH Regulation, the information TE provides on SVHC in articles for this part number is based on the latest European Chemicals Agency (ECHA) 'Guidance on requirements for substances in articles' posted at this URL: <https://echa.europa.eu/guidance-documents/guidance-on-reach>

Compatible Parts



TE Model / Part # 2-2836413-1
OCEAN_2.0_APPLICATOR-S-055F0800



TE Model / Part # 2-2836413-2
OCEAN_2.0_APPLICATOR-S-055F0800A



TE Model / Part # 2836413-1
OCEAN_2.0_APPLICATOR-S-055F0800



TE Model / Part # 2836413-2
OCEAN_2.0_APPLICATOR-S-055F0800A



TE Model / Part # 2836555-1
OCEAN_2.0_APPLICATOR-S-070F

Customers Also Bought



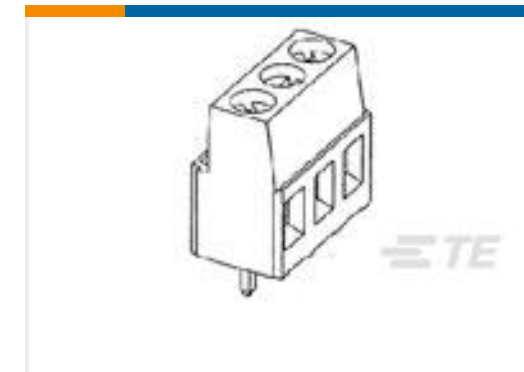
TE Model / Part #794242-1
04P MINI UMNL2 CAP HSG UL94V2



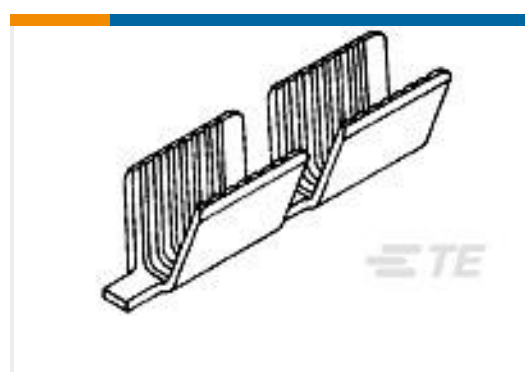
TE Model / Part #1-480726-0
03P CMNL CAP HSG D/L NAT



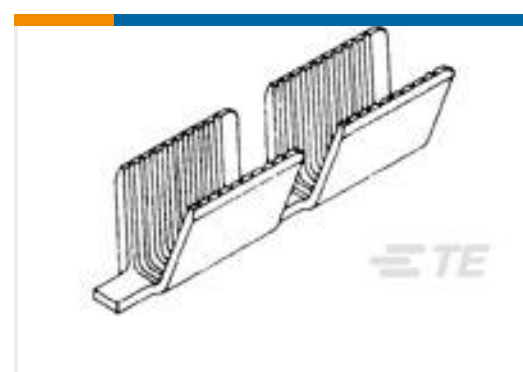
TE Model / Part #1742800-1
FF 187 TAB 18-14AWG TPBR



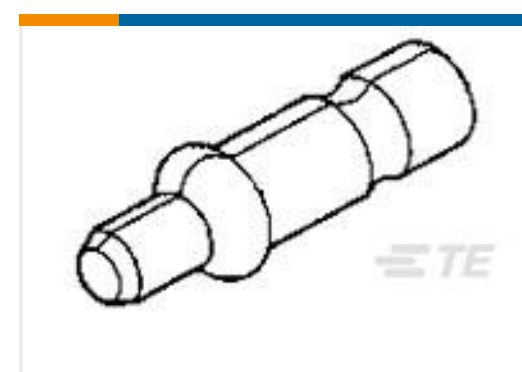
TE Model / Part #796683-4
TERMI-BLOK PCB MOUNT 90 4P.



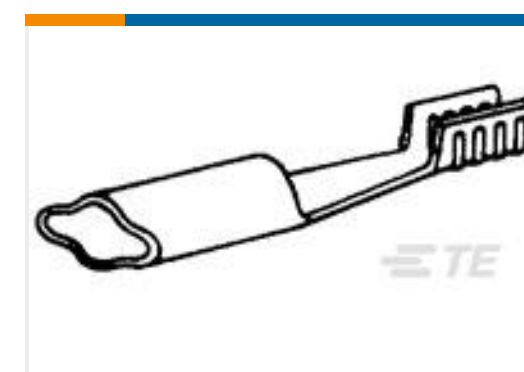
TE Model / Part #62002-2
SPLC AMVAR 7000-13000 025TPBR



TE Model / Part #62308-2
AMVAR SPLC 3000-7000 020TPBR



TE Model / Part #61137-1
.093 PCB PIN .0126 PTP PH/BZ



TE Model / Part #60733-1
PIN .090 RECEPTACLE TPPHBZ



Documents

Product Drawings

[.093 PIN RECPT 22-18 PTPPHBRZ](#)

English

CAD Files

3D PDF

3D

Customer View Model

[ENG_CVM_CVM_350015-2_L.2d_dxf.zip](#)

English

Customer View Model

[ENG_CVM_CVM_350015-2_L.3d_igs.zip](#)

English

Customer View Model

[ENG_CVM_CVM_350015-2_L.3d_stp.zip](#)

English

Customer View Model

[ENG_CVM_350015-2_G.3d_igs.zip](#)

English

Customer View Model

[ENG_CVM_350015-2_G.3d_stp.zip](#)

English

Customer View Model

[ENG_CVM_350015-2_G.2d_dxf.zip](#)

English

3D PDF

English

By downloading the CAD file I accept and agree to the [Terms and Conditions](#) of use.

Datasheets & Catalog Pages

[PRINTED CIRCUIT BOARD TERMINALS AND DISCONNECTS](#)

English

Product Specifications

[Application Specification](#)

English

350015-2

PCB Terminals, Pin, Receptacle, PCB Terminal Mating Pin Diameter .093 in [2.36 mm],
22 – 18AWG Wire Size, .3 – .9mm² Wire Size, Crimp

