

34848 ✓ ACTIVE

TE Internal #: 34848

Rings & Spades, Ring Tongue, 18 – 14AWG Wire Size, .8 – 2mm<sup>2</sup>

Wire Size, 1624 – 4106CMA Wire Size, #6 / M3.5, Stud Diameter

3.68 mm [.145 in]

[View on TE.com >](#)



Terminals & Splices > Rings & Spades



Terminal & Splice Type: **Ring Tongue**

Wire Size: **1624 – 4106 CMA**

Stud Size: **#6, M3.5**

## Features

### Product Type Features

Shape Description	Circular/Oval
Stud Size	#6, M3.5
Barrel Type	Open Barrel
Sealable	No
Insulated	No
Wire/Cable Type	Regular Wire
Support Style	Non - Insulation Support

### Configuration Features

Number of Holes	1
Terminal Angle	Straight

### Body Features

Inspection Slot	No
Weight per Piece	.322 g
Plating Material	Unplated

### Contact Features

Contact Base Material	Brass
-----------------------	-------



Terminal & Splice Type	Ring Tongue
------------------------	-------------

Terminal Orientation	Straight
----------------------	----------

Underplating Material	None
-----------------------	------

### Mechanical Attachment

Wire Insulation Support	Without
-------------------------	---------

### Dimensions

Wire Size	1624 – 4106 CMA
-----------	-----------------

Stud Diameter	3.68 mm [.145 in]
---------------	-------------------

Tongue Thickness	.51 mm [.02 in]
------------------	-----------------

Overall Length	13.72 mm [.54 in]
----------------	-------------------

Barrel Inside Diameter	1.65 mm [.065 in]
------------------------	-------------------

### Usage Conditions

Operating Temperature Range	-40 – 110 °C [-40 – 230 °F]
-----------------------------	-----------------------------

### Operation/Application

Heavy Duty	No
------------	----

### Industry Standards

Government Qualified	No
----------------------	----

### Packaging Features

Packaging Quantity	20000
--------------------	-------

Packaging Method	Strip/Reel
------------------	------------

### Product Compliance

[For compliance documentation, visit the product page on TE.com>](#)

EU RoHS Directive 2011/65/EU	Compliant
------------------------------	-----------

EU ELV Directive 2000/53/EC	Compliant
-----------------------------	-----------

China RoHS 2 Directive MIIT Order No 32, 2016	No Restricted Materials Above Threshold
---	---

EU REACH Regulation (EC) No. 1907/2006	Current ECHA Candidate List: JUN 2020 (209) Candidate List Declared Against: JAN 2020 (205) Does not contain REACH SVHC
--	---

Halogen Content	Low Halogen - Br, Cl, F, I < 900 ppm per homogenous material. Also BFR/CFR/PVC Free
-----------------	---

Solder Process Capability

Not applicable for solder process capability

Product Compliance Disclaimer

This information is provided based on reasonable inquiry of our suppliers and represents our current actual knowledge based on the information they provided. This information is subject to change. The part numbers that TE has identified as EU RoHS compliant have a maximum concentration of 0.1% by weight in homogenous materials for lead, hexavalent chromium, mercury, PBB, PBDE, DBP, BBP, DEHP, DIBP, and 0.01% for cadmium, or qualify for an exemption to these limits as defined in the Annexes of Directive 2011/65/EU (RoHS2). Finished electrical and electronic equipment products will be CE marked as required by Directive 2011/65/EU. Components may not be CE marked. Additionally, the part numbers that TE has identified as EU ELV compliant have a maximum concentration of 0.1% by weight in homogenous materials for lead, hexavalent chromium, and mercury, and 0.01% for cadmium, or qualify for an exemption to these limits as defined in the Annexes of Directive 2000/53/EC (ELV). Regarding the REACH Regulation, the information TE provides on SVHC in articles for this part number is based on the latest European Chemicals Agency (ECHA) 'Guidance on requirements for substances in articles' posted at this URL: <https://echa.europa.eu/guidance-documents/guidance-on-reach>

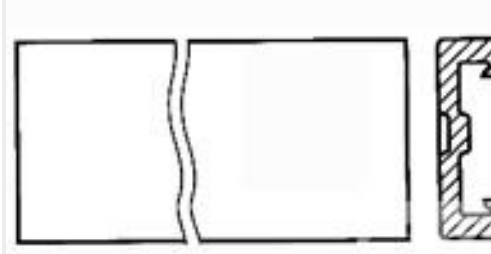
### Customers Also Bought



TE Model / Part #1-480698-6  
02P UMNL PLUG HSG BLU



TE Model / Part #61029-2  
FASTON .187 RECEPTACLE 20-16 AWG TPBR



TE Model / Part #1-640642-3  
13P MTA100 COVER F/T



TE Model / Part #1217114-1  
REC 187 POS-LOC MKIII BR 18-14



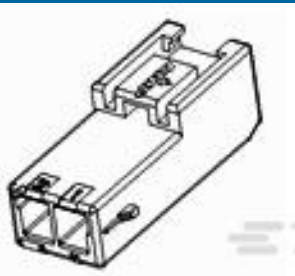
**ANVIL** REPRESENTATION ONLY

TE Model / Part #1633932-5  
ANVIL, COMBINATION



**ANVIL** REPRESENTATION ONLY

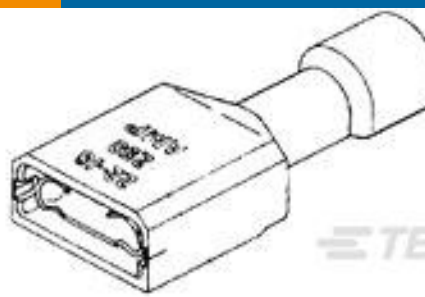
TE Model / Part #1803180-3  
ANVIL, COMBINATION



TE Model / Part #2005248-6  
PDL 2P CAP 3.96 F/H(GWT) BLU



TE Model / Part #265052-003  
44A0811-12-9



TE Model / Part #5-520181-2  
ULTRA-FAST 187 ASY REC 22-18 AWG TPBR



**CRIMPER** REPRESENTATION ONLY

TE Model / Part #9-1803018-5  
INSULATION CRIMPER

### Documents

Product Drawings

RING TERMINAL 18-14 AWG BR

English



**CAD Files**

**3D PDF**

3D

**Customer View Model**

[ENG\\_CVM\\_CVM\\_34848\\_BG\\_c-34848-bg.2d\\_dxf.zip](#)

English

**Customer View Model**

[ENG\\_CVM\\_CVM\\_34848\\_BG\\_c-34848-bg.3d\\_igs.zip](#)

English

**Customer View Model**

[ENG\\_CVM\\_CVM\\_34848\\_BG\\_c-34848-bg.3d\\_stp.zip](#)

English

By downloading the CAD file I accept and agree to the [Terms and Conditions](#) of use.

**Product Specifications**

**Product Specification**

English

**Product Specification**

English

**Product Specification**

English

**Agency Approvals**

**UL Report**

English