

1-794608-1 ✓ ACTIVE

MATE-N-LOK | Micro MATE-N-LOK

TE Internal #: 1-794608-1

Micro MATE-N-LOK, Power Contacts, Contact, Operating Voltage

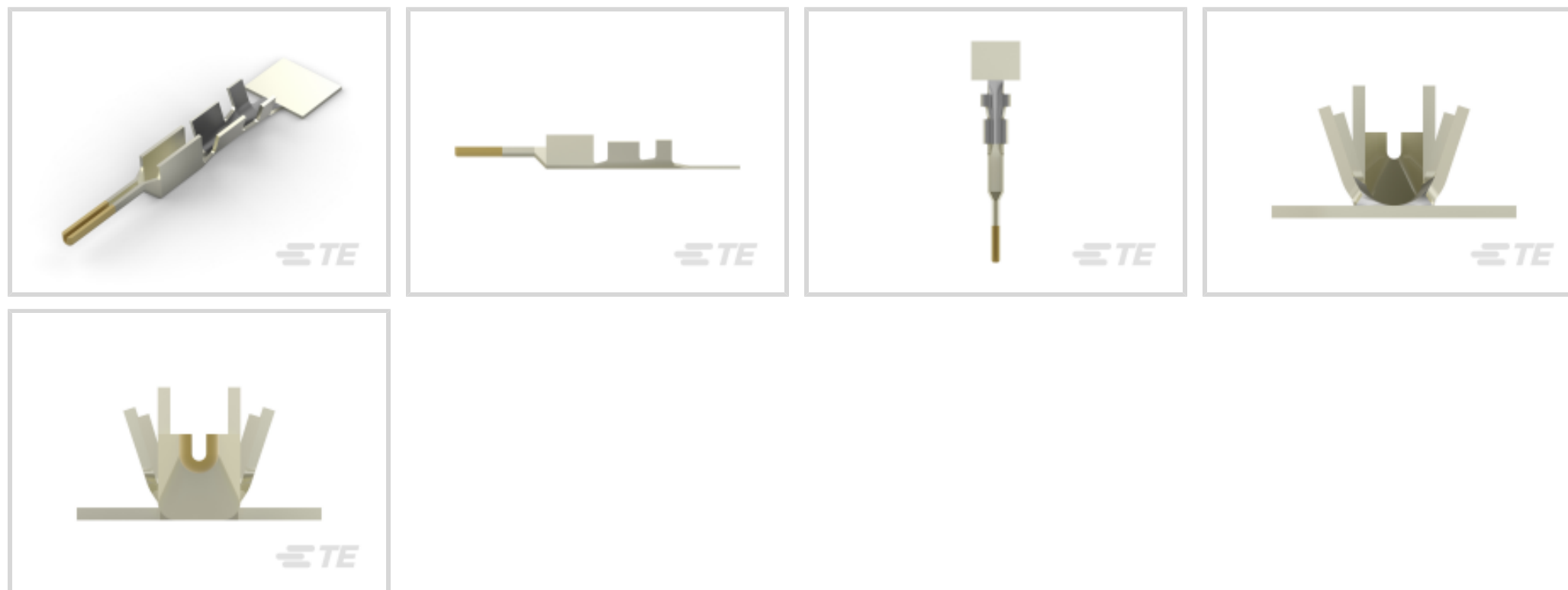
250 VAC, Operating Voltage 250 VDC, Gold, 24 – 20AWG Wire

Size, .2 – .5mm² Wire Size

[View on TE.com >](#)



Connectors > Power Connectors > Power Contacts



Power Contact Type: **Contact**

Operating Voltage: **250 VDC**

Contact Mating Area Plating Material: **Gold**

Wire Size: **24 – 20 AWG**

Features

Product Type Features

Power Contact Type	Contact
Connector System	Wire-to-Wire
Connector & Contact Terminates To	Wire & Cable

Electrical Characteristics

Operating Voltage	250 VDC
-------------------	---------

Contact Features

Contact Mating Area Plating Material	Gold
Contact Current Rating (Max)	5 A
Contact Type	Pin
Contact Retention Within Housing	With
Mating Square Post Dimension	.64 mm[.025 in]
Contact Base Material	Brass
Contact Mating Area Plating Material Thickness	.38 μm[15 μin]
Wire Contact Termination Area Plating Material Thickness	2.54 μm[100 μin]
Wire Contact Termination Area Plating Material	Tin



Wire Contact Termination Area Plating Material Finish	Bright
Contact Orientation	Straight
Contact Underplating Material	Nickel
Contact Underplating Material Thickness	1.27 µm[50 µin]

Termination Features

Termination Method to Wire & Cable	Crimp
------------------------------------	-------

Mechanical Attachment

Contact Retention Type Within Housing	Locking Lance
Connector Mounting Type	Cable Mount (Free-Hanging)
Wire Insulation Support	Without

Dimensions

Wire Size	.2 – .5 mm ²
Accepts Wire Insulation Diameter Range	.89 – 1.52 mm[.035 – .06 in]

Usage Conditions

Operating Temperature Range	-40 – 105 °C[-40 – 221 °F]
-----------------------------	----------------------------

Operation/Application

Circuit Application	Power
---------------------	-------

Industry Standards

Glow Wire Rating	Standard Part - Not Glow Wire
------------------	-------------------------------

Packaging Features

Packaging Method	Reel
Packaging Quantity	10000

Other

Wire/Cable Type	Discrete Wire
Wire Type	Stranded

Product Compliance

For compliance documentation, visit the product page on [TE.com](https://www.te.com)>

EU RoHS Directive 2011/65/EU	Compliant
EU ELV Directive 2000/53/EC	Compliant
China RoHS 2 Directive MIIT Order No 32, 2016	No Restricted Materials Above Threshold



EU REACH Regulation (EC) No. 1907/2006

Current ECHA Candidate List: JUN 2020
(209)

Candidate List Declared Against: JAN 2020
(205)

Does not contain REACH SVHC

Halogen Content

Low Halogen - Br, Cl, F, I < 900 ppm per
homogenous material. Also BFR/CFR/PVC
Free

Solder Process Capability

Not applicable for solder process capability

Product Compliance Disclaimer

This information is provided based on reasonable inquiry of our suppliers and represents our current actual knowledge based on the information they provided. This information is subject to change. The part numbers that TE has identified as EU RoHS compliant have a maximum concentration of 0.1% by weight in homogenous materials for lead, hexavalent chromium, mercury, PBB, PBDE, DBP, BBP, DEHP, DIBP, and 0.01% for cadmium, or qualify for an exemption to these limits as defined in the Annexes of Directive 2011/65/EU (RoHS2). Finished electrical and electronic equipment products will be CE marked as required by Directive 2011/65/EU. Components may not be CE marked. Additionally, the part numbers that TE has identified as EU ELV compliant have a maximum concentration of 0.1% by weight in homogenous materials for lead, hexavalent chromium, and mercury, and 0.01% for cadmium, or qualify for an exemption to these limits as defined in the Annexes of Directive 2000/53/EC (ELV). Regarding the REACH Regulation, the information TE provides on SVHC in articles for this part number is based on the latest European Chemicals Agency (ECHA) 'Guidance on requirements for substances in articles' posted at this URL: <https://echa.europa.eu/guidance-documents/guidance-on-reach>

Compatible Parts

TE Model / Part # 91501-1
CERTICRIMP 24-20 MICRO MNL

TE Model / Part # 2305570-1
TERMINAL CUTTER, SIDE FEED

TE Model / Part # 2151616-1
OCEAN_2.0_APPLICATOR-S-055F070F

TE Model / Part # 91391-2
SDE COMM MICRO MNL DIE SET

TE Model / Part # 91391-1
SDE PEW 12MICRO MNL HAND TOOL

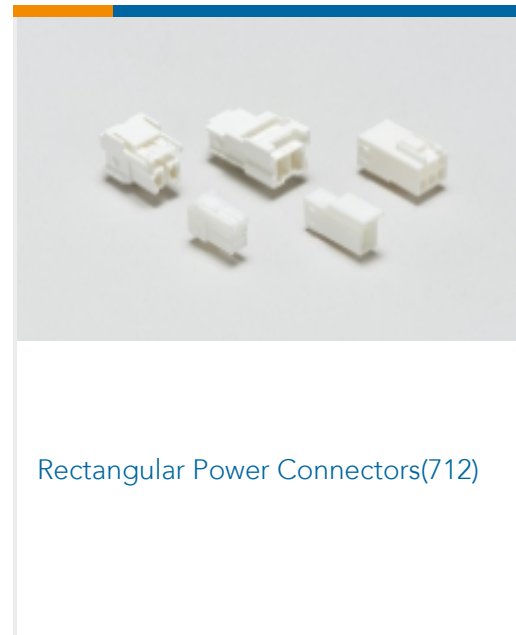
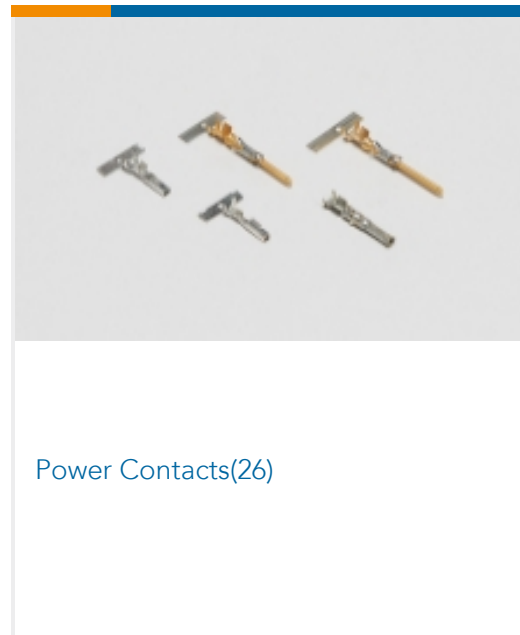
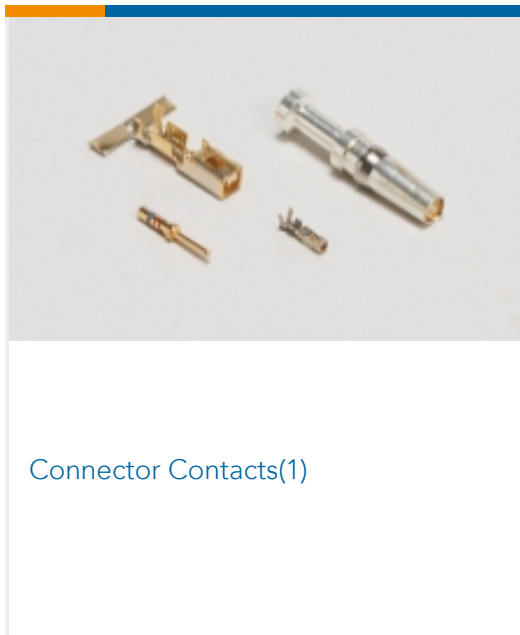
TE Model / Part # 2-2151516-2
OCEAN_2.0_APPLICATOR-S-055FA

TE Model / Part # 2-2151616-1
OCEAN_2.0_APPLICATOR-S-055F070F

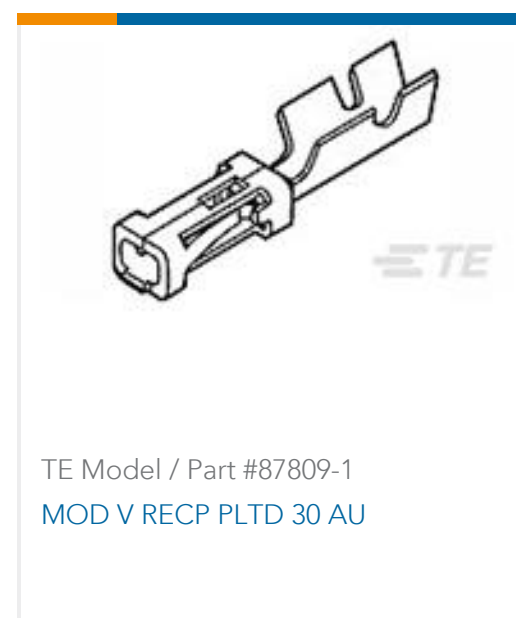
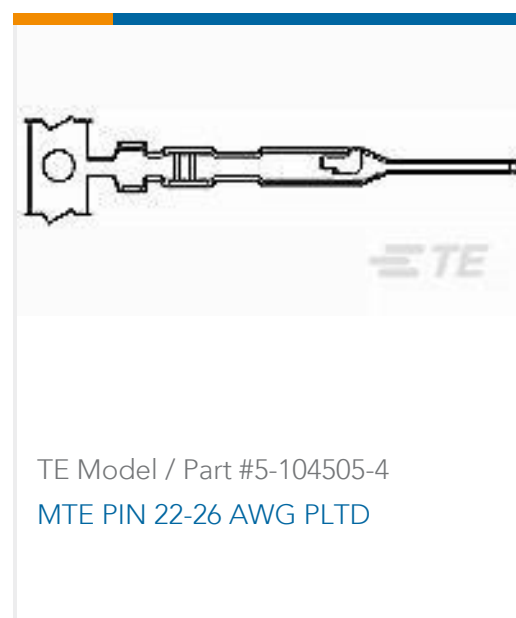
TE Model / Part # 2-2151616-2
OCEAN_2.0_APPLICATOR-S-055F070F



Also in the Series | **Micro MATE-N-LOK**



Customers Also Bought





Documents

Product Drawings

[PIN CONT 20-24 15 GOLD STRIP](#)

English

CAD Files

[3D PDF](#)

3D

Customer View Model

[ENG_CVM_1-794608-1_D1.3d_igs.zip](#)

English

Customer View Model

[ENG_CVM_1-794608-1_D1.3d_stp.zip](#)

English

Customer View Model

[ENG_CVM_1-794608-1_D1.2d_dxf.zip](#)

English

[3D PDF](#)

English

Customer View Model

[ENG_CVM_CVM_1-794608-1_F.2d_dxf.zip](#)

English

Customer View Model

[ENG_CVM_CVM_1-794608-1_F.3d_igs.zip](#)

English

Customer View Model

[ENG_CVM_CVM_1-794608-1_F.3d_stp.zip](#)

English

By downloading the CAD file I accept and agree to the [Terms and Conditions](#) of use.

Datasheets & Catalog Pages

[SOFT_SHELL_PIN_AND_SOCKET_CONNECTORS_CATALOG](#)

English

[1773458-4_MICRO_MATE_N_LOK_CONNECTOR_SYSTEM_ORG](#)

English

Product Specifications

[Application Specification](#)

English

Product Environmental Compliance

[MD_1-794608-1_020620182346_dmtec](#)

English

[MD_1-794608-1_020620182346_dmtec](#)

English



[Agency Approvals](#)

[VDE Certificate](#)

English