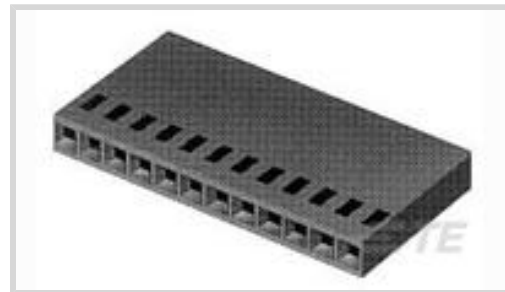




Connectors > PCB Connectors > Wire-to-Board Connectors > Wire-to-Board Connector Assemblies & Housings



Connector Product Type: **Housing**

Connector & Housing Type: **Receptacle**

Connector System: **Wire-to-Board**

Number of Positions: **9**

Centerline (Pitch): **2.54 mm [.1 in]**

Features

Product Type Features

Connector Product Type	Housing
Connector & Housing Type	Receptacle
Connector System	Wire-to-Board
Connector & Contact Terminates To	Wire & Cable

Configuration Features

Number of Positions	9
Number of Rows	1

Electrical Characteristics

Termination Resistance	12 mΩ
Insulation Resistance	5000 MΩ
Dielectric Withstanding Voltage (Max)	750 V
Operating Voltage	250 VAC

Contact Features

Contact Layout	Inline
Contact Type	Socket
Contact Base Material	Beryllium Copper
Contact Current Rating (Max)	3 A

Termination Features



Termination Method to Wire & Cable	Crimp
------------------------------------	-------

Mechanical Attachment

Strain Relief	Without
---------------	---------

Mating Retention	Without
------------------	---------

Housing Features

Housing Entry Configuration	Both Ends Closed
-----------------------------	------------------

Housing Material	Thermoplastic
------------------	---------------

Centerline (Pitch)	2.54 mm [.1 in]
--------------------	-----------------

Housing Color	Black
---------------	-------

Dimensions

Connector Length	22.99 mm [.91 in]
------------------	-------------------

Connector Height	3.56 mm [.14 in]
------------------	------------------

Usage Conditions

Operating Temperature Range	-65 – 105 °C [-85 – 221 °F]
-----------------------------	-----------------------------

Operation/Application

Circuit Application	Signal
---------------------	--------

Industry Standards

Glow Wire Rating	Standard Part - Not Glow Wire
------------------	-------------------------------

Approved Standards	CSA LR7189, UL E28476
--------------------	-----------------------

UL Flammability Rating	UL 94V-0
------------------------	----------

Packaging Features

Packaging Quantity	1
--------------------	---

Packaging Method	Package
------------------	---------

Other

Comment	Contact Extraction/Lance Reset Tool No. 843996-3., No marking on this part number., Strain reliefs are available and may be purchased separately.
---------	---

Product Compliance

For compliance documentation, visit the product page on [TE.com](https://www.te.com)>

EU RoHS Directive 2011/65/EU	Compliant
------------------------------	-----------

EU ELV Directive 2000/53/EC	Compliant
-----------------------------	-----------



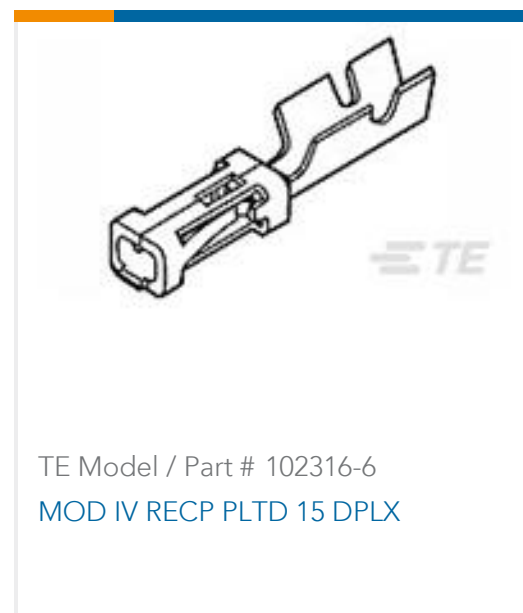
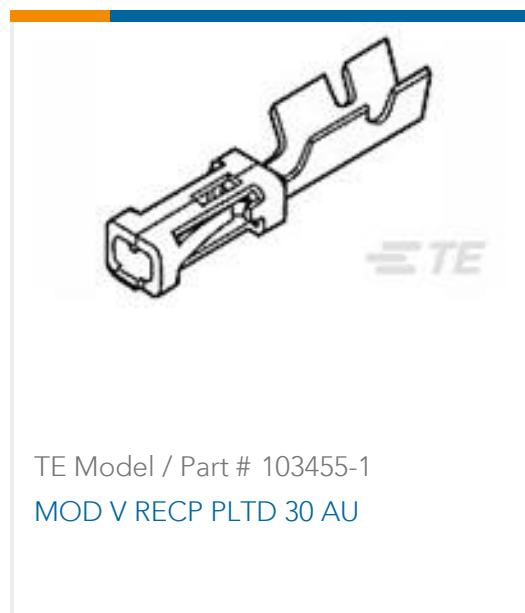
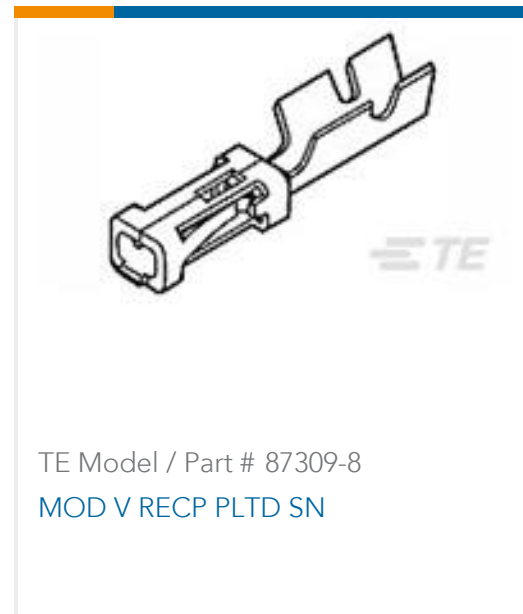
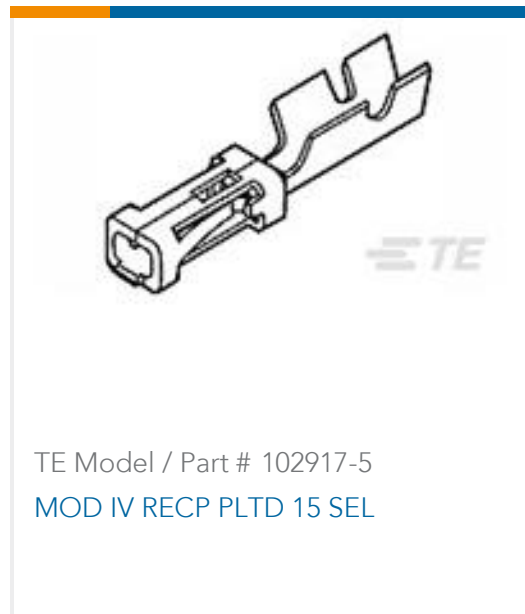
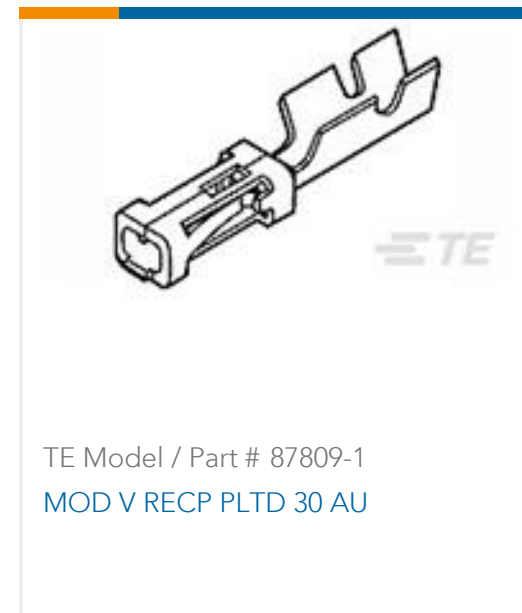
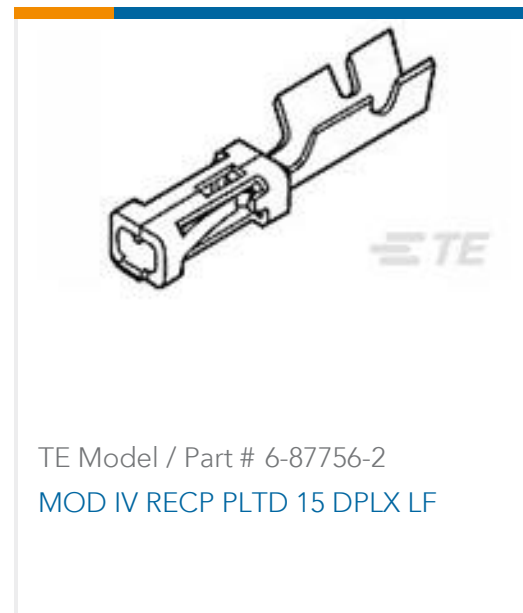
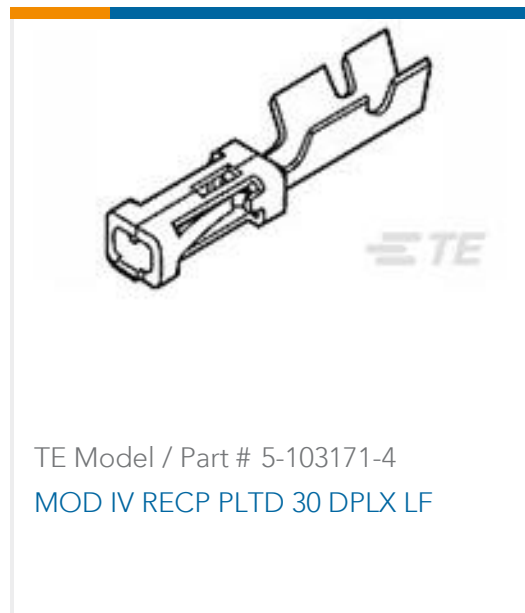
China RoHS 2 Directive MIIT Order No 32, 2016	No Restricted Materials Above Threshold
EU REACH Regulation (EC) No. 1907/2006	Current ECHA Candidate List: JUN 2020 (209) Candidate List Declared Against: JAN 2020 (205) Does not contain REACH SVHC
Halogen Content	Low Halogen - Br, Cl, F, I < 900 ppm per homogenous material. Also BFR/CFR/PVC Free
Solder Process Capability	Not applicable for solder process capability

Product Compliance Disclaimer

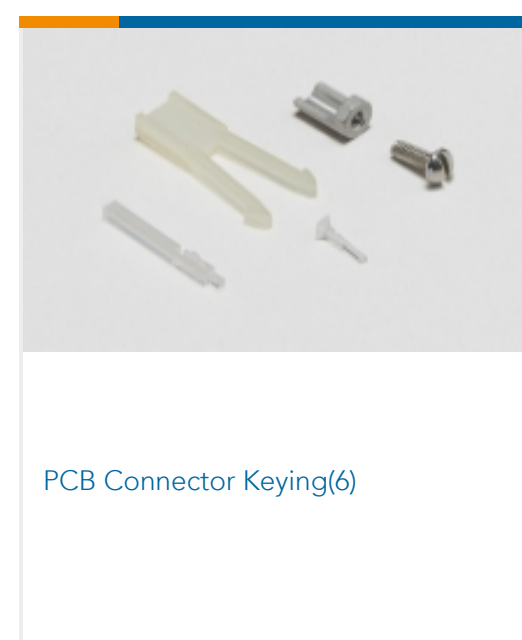
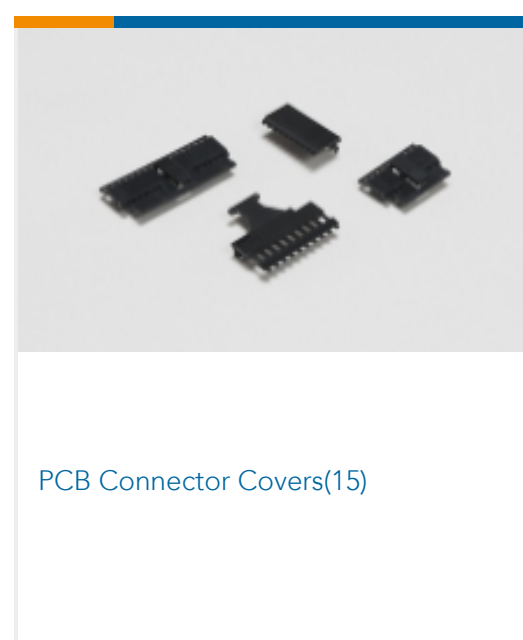
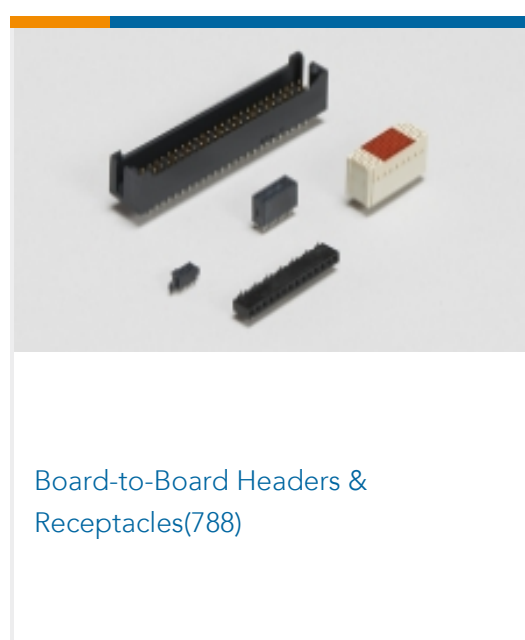
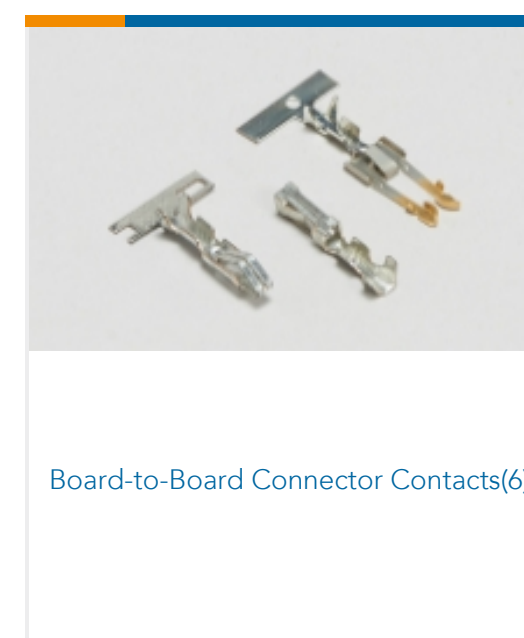
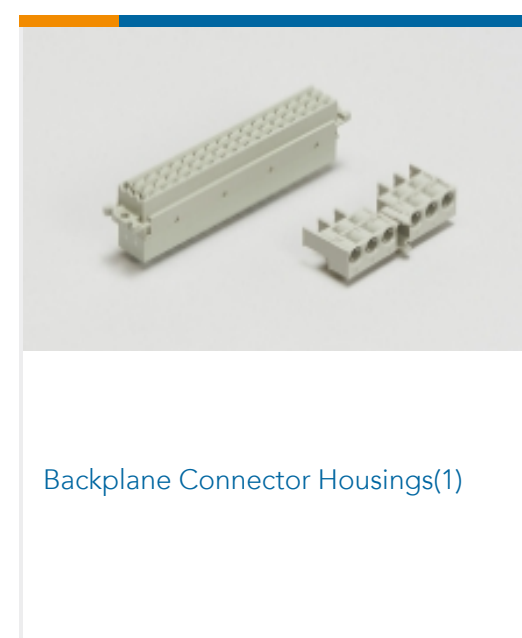
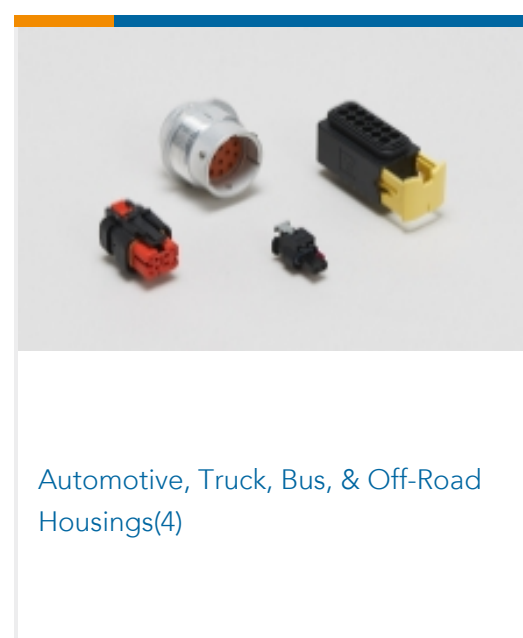
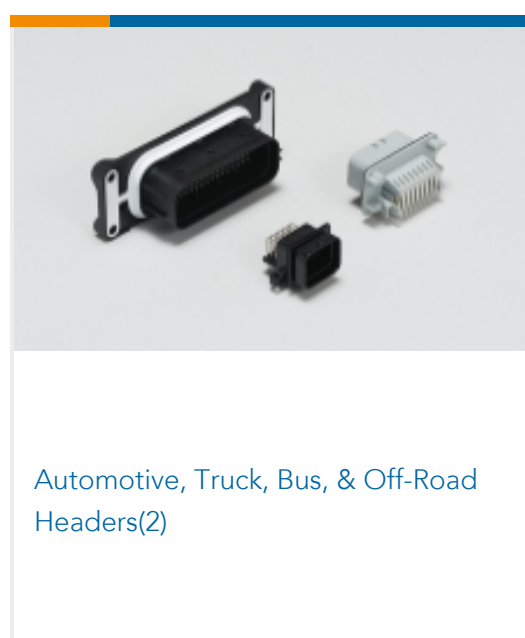
This information is provided based on reasonable inquiry of our suppliers and represents our current actual knowledge based on the information they provided. This information is subject to change. The part numbers that TE has identified as EU RoHS compliant have a maximum concentration of 0.1% by weight in homogenous materials for lead, hexavalent chromium, mercury, PBB, PBDE, DBP, BBP, DEHP, DIBP, and 0.01% for cadmium, or qualify for an exemption to these limits as defined in the Annexes of Directive 2011/65/EU (RoHS2). Finished electrical and electronic equipment products will be CE marked as required by Directive 2011/65/EU. Components may not be CE marked. Additionally, the part numbers that TE has identified as EU ELV compliant have a maximum concentration of 0.1% by weight in homogenous materials for lead, hexavalent chromium, and mercury, and 0.01% for cadmium, or qualify for an exemption to these limits as defined in the Annexes of Directive 2000/53/EC (ELV). Regarding the REACH Regulation, the information TE provides on SVHC in articles for this part number is based on the latest European Chemicals Agency (ECHA) 'Guidance on requirements for substances in articles' posted at this URL: <https://echa.europa.eu/guidance-documents/guidance-on-reach>

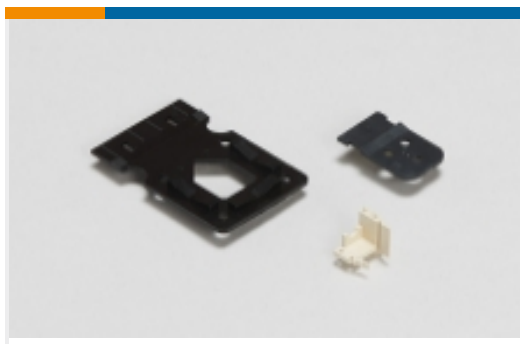
Compatible Parts

 TE Model / Part # 85969-8 MOD IV RECP PLTD 30 SEL	 TE Model / Part # 87523-5 MOD IV RECP PLTD SN	 TE Model / Part # 87666-3 MOD IV RECP PLTD SN	 TE Model / Part # 87756-6 MOD IV RECP PLTD SN
 TE Model / Part # 87309-9 MOD V RECP PLTD 30 AU	 TE Model / Part # 102548-5 MOD IV RECP PLTD 30 SEL	 TE Model / Part # 2-87195-4 MOD IV RECP PLTE 15 DPLX	 TE Model / Part # 2-87523-3 MOD IV RECP PLTD 15 DPLX

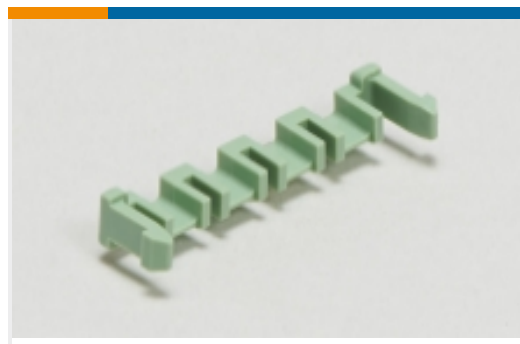


Also in the Series | AMPMODU IV/V





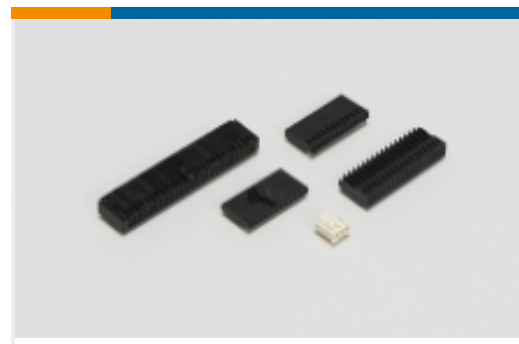
PCB Connector Strain Relief(2)



PCB Latches, Locks & Retainers(10)



Rectangular Connector Housings(2)



Wire-to-Board Connector Assemblies & Housings(450)



Wire-to-Board Connector Contacts (317)



Wire-to-Board Headers & Receptacles (8)

Customers Also Bought



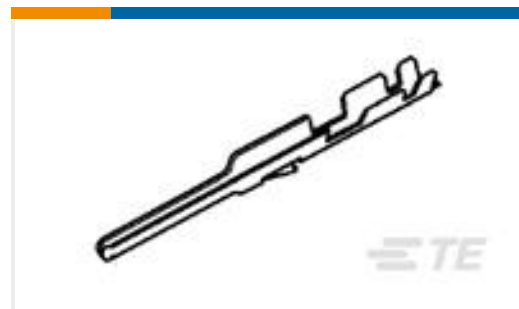
TE Model / Part #1825426-1
TRD13D10WLLR204 rocker switch



TE Model / Part #1-87499-8
10 MODIV HSG COMP SR .100CL



TE Model / Part #1-87499-4
08 MODIV HSG COMP SR .100CL



TE Model / Part #102095-3
MOD IV PIN PLTD 30 SEL



TE Model / Part #206499-1
RECEPT ASSY,SZ 1,AMPLIMITE



TE Model / Part #87499-2
07 MODIV HSG COMP SR .100CL



TE Model / Part #1532179-3
M83513/03-A03N, MCKS-N1-B-9P6G9-18.0



TE Model / Part #1532188-1
M83513/02-BN, MCKS-N1-B-15SS



TE Model / Part #206064-2
RECEPT ASSY,44 POSN,AMPLIMITE



TE Model / Part #206798-1
PLUG ASSY,15 POSN,AMPLMTE

Documents



Product Drawings

[09 MODIV HSG COMP SR .100CL](#)

English

CAD Files

[3D PDF](#)

English

Customer View Model

[ENG_CVM_1-87499-6_T.2d_dxf.zip](#)

English

Customer View Model

[ENG_CVM_1-87499-6_T.3d_igs.zip](#)

English

Customer View Model

[ENG_CVM_1-87499-6_T.3d_stp.zip](#)

English

By downloading the CAD file I accept and agree to the [Terms and Conditions](#) of use.

Datasheets & Catalog Pages

[AMPMODU_INTERCONNECTION_SYSTEM_SECTION5_CONT](#)

English

Product Specifications

[Product Specification](#)

English

Agency Approvals

[UL Report](#)

English