



Passive Components > Resistors > Chassis Mount Resistors



Resistor Type: **Power Resistor**

Dimensions: **350 x 60 x 119 mm**

Number of Terminations: **2**

Packaging Method: **Loose Piece - Box**

Tolerance: **5%**

Features

Product Type Features

Resistor Type	Power Resistor
Element Type	Wirewound

Configuration Features

Number of Resistors	1
---------------------	---

Electrical Characteristics

Voltage Rating	2500 V
Tolerance	5%
Resistance Class	Up to 1k Ω
Resistance	15 Ω
Power Rating	1000 W

Termination Features

Number of Terminations	2
Termination Type	Solder Lug

Mechanical Attachment

Mount Style	Bracket
-------------	---------

Dimensions

Dimensions	350 x 60 x 119 mm
------------	-------------------

Usage Conditions



Operating Temperature Range	-25 – 225 °C
Temperature Coefficient	±440 ppm/°C

Packaging Features

Packaging Method	Loose Piece - Box
------------------	-------------------

Product Compliance

[For compliance documentation, visit the product page on TE.com>](#)

EU RoHS Directive 2011/65/EU	Compliant
EU ELV Directive 2000/53/EC	Compliant
China RoHS 2 Directive MIIT Order No 32, 2016	No Restricted Materials Above Threshold
EU REACH Regulation (EC) No. 1907/2006	Current ECHA Candidate List: JUN 2020 (209) Candidate List Declared Against: JAN 2020 (205) Does not contain REACH SVHC
Halogen Content	Low Halogen - Br, Cl, F, I < 900 ppm per homogenous material. Also BFR/CFR/PVC Free
Solder Process Capability	Not applicable for solder process capability

Product Compliance Disclaimer

This information is provided based on reasonable inquiry of our suppliers and represents our current actual knowledge based on the information they provided. This information is subject to change. The part numbers that TE has identified as EU RoHS compliant have a maximum concentration of 0.1% by weight in homogenous materials for lead, hexavalent chromium, mercury, PBB, PBDE, DBP, BBP, DEHP, DIBP, and 0.01% for cadmium, or qualify for an exemption to these limits as defined in the Annexes of Directive 2011/65/EU (RoHS2). Finished electrical and electronic equipment products will be CE marked as required by Directive 2011/65/EU. Components may not be CE marked. Additionally, the part numbers that TE has identified as EU ELV compliant have a maximum concentration of 0.1% by weight in homogenous materials for lead, hexavalent chromium, and mercury, and 0.01% for cadmium, or qualify for an exemption to these limits as defined in the Annexes of Directive 2000/53/EC (ELV). Regarding the REACH Regulation, the information TE provides on SVHC in articles for this part number is based on the latest European Chemicals Agency (ECHA) 'Guidance on requirements for substances in articles' posted at this URL: <https://echa.europa.eu/guidance-documents/guidance-on-reach>

Compatible Parts





TE Model / Part # 1-1879457-7
TE 2500W 22R 5% Bracket

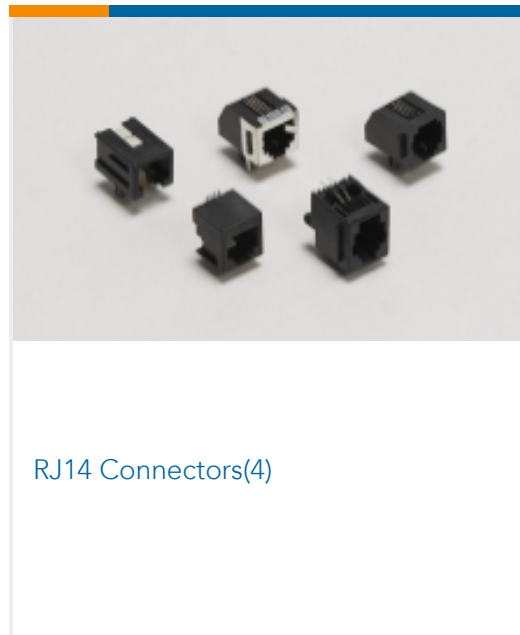
Also in the Series | CGS TE



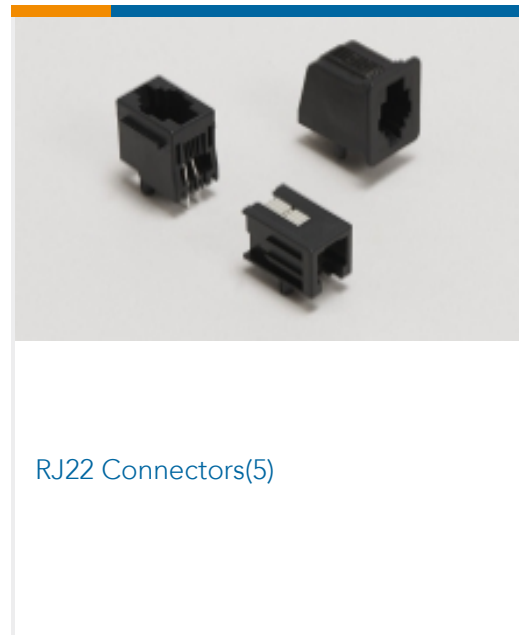
Chassis Mount Resistors(685)



RJ11 Connectors(1)



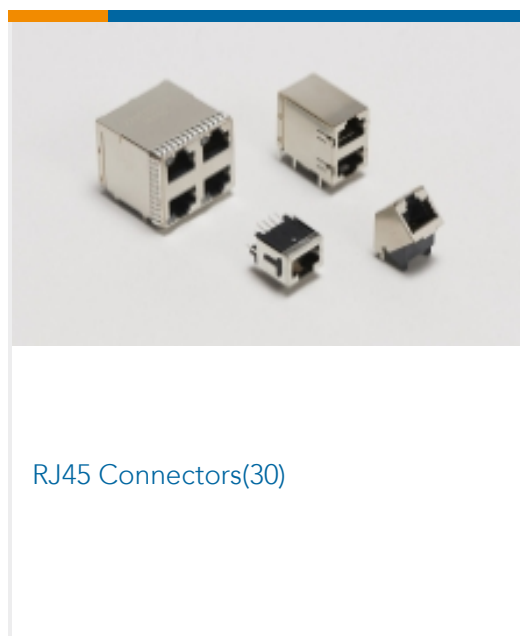
RJ14 Connectors(4)



RJ22 Connectors(5)



RJ25 Connectors(4)

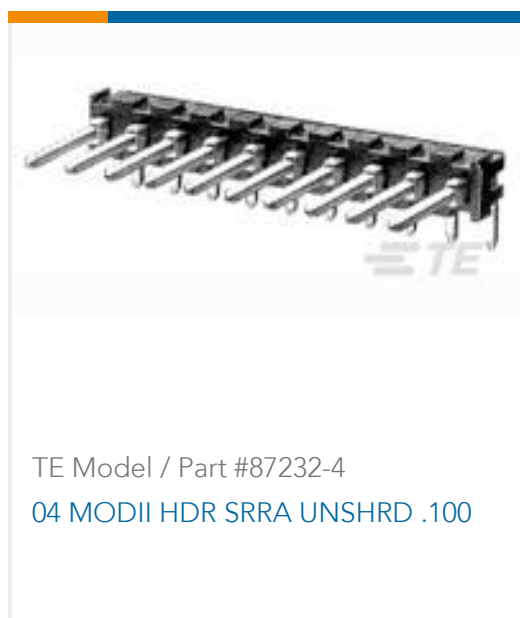


RJ45 Connectors(30)

Customers Also Bought



TE Model / Part #1-1879453-2
TE 1000W 8R2 5% Bracket



TE Model / Part #87232-4
04 MODII HDR SRRA UNSHRD .100



TE Model / Part #2176343-7
CRGCQ 1206 33R 1%



TE Model / Part #63942-1
RCPT,187 FL/FAST/AMVR 0157TPBR



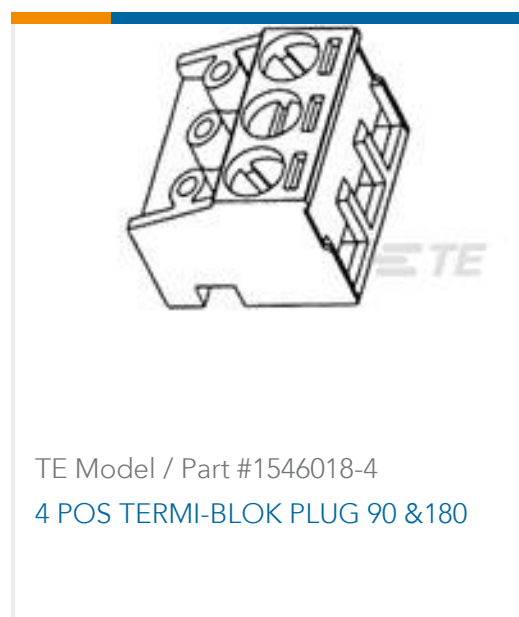
TE Model / Part #1-1879455-0
TE 1500W 5R6 5% Bracket



TE Model / Part #1-1879453-0
TE 1000W 5R6 5% Bracket



TE Model / Part #YDTS24W13-
98PNV001
RECP ASSY



TE Model / Part #1546018-4
4 POS TERMI-BLOK PLUG 90 &180



Documents

Product Drawings

[TE 1000W 15R 5% Bracket](#)

English

CAD Files

[3D PDF](#)

3D

Customer View Model

[ENG_CVM_CVM_1-1879453-5_BB.2d_dxf.zip](#)

English

Customer View Model

[ENG_CVM_CVM_1-1879453-5_BB.3d_igs.zip](#)

English

Customer View Model

[ENG_CVM_CVM_1-1879453-5_BB.3d_stp.zip](#)

English

By downloading the CAD file I accept and agree to the [Terms and Conditions](#) of use.

Datasheets & Catalog Pages

[4-1773460-6_RESISTIVE_SOLUTIONS_RAIL](#)

English

[1309350_PASSIVE_COMPONENT](#)

English

[8-1773459-4_POWER_FILTERING_AND_RESISTIVE_SOLUTIONS_FOR_ELEVATORS_AND_ESCALATORS](#)

English

[High Power Wire wound Resistor Type TE Series](#)

English