

27E487 ✓ ACTIVE

Potter & Brumfield | Potter & Brumfield K10

TE Internal #: 1-1419106-9

Potter & Brumfield K10, Relay Accessories, Sockets & Clips, Socket, DIN Rail Mount Relay Accessory, Socket & Clip Socket Type, Glass-Filled Polyester

[View on TE.com >](#)



Relays, Contactors & Switches > Relays > Relay Accessories, Sockets & Clips



Relay Accessory, Socket & Clip Product Type: **Socket**

Relay Accessory, Socket & Clip Socket Type: **DIN Rail Mount**

Grounding Provision: **Without**

Relay Accessory, Socket & Clip Body Material: **Glass-Filled Polyester**

Relay Accessory, Socket & Clip For Use With: **K10 Relays**

## Features

### Product Type Features

Terminal Configuration	Screw
Relay Accessory, Socket & Clip Product Type	Socket
Relay Accessory Type	Socket

### Configuration Features

Grounding Provision	Without
---------------------	---------

### Body Features

Relay Accessory, Socket & Clip Body Material	Glass-Filled Polyester
--	------------------------

### Contact Features

Terminal Length	28.7 mm
Contact Plating Material	Tin
Contact Base Material	Spring Brass
Relay Accessory, Socket & Clip Socket Type	DIN Rail Mount
Pole Configuration	2



### Termination Features

Number of Pins	8
----------------	---

### Mechanical Attachment

Relay Accessory, Socket & Clip Mounting Type	DIN Rail Snap Mount
--	---------------------

### Operation/Application

Relay Accessory, Socket & Clip For Use With	K10 Relays
---	------------

## Product Compliance

[For compliance documentation, visit the product page on TE.com>](#)

EU RoHS Directive 2011/65/EU	Compliant
EU ELV Directive 2000/53/EC	Compliant
China RoHS 2 Directive MIIT Order No 32, 2016	No Restricted Materials Above Threshold
EU REACH Regulation (EC) No. 1907/2006	Current ECHA Candidate List: JUN 2020 (209) Candidate List Declared Against: JAN 2020 (205) Does not contain REACH SVHC
Halogen Content	Low Halogen - Br, Cl, F, I < 900 ppm per homogenous material. Also BFR/CFR/PVC Free
Solder Process Capability	Not applicable for solder process capability

#### Product Compliance Disclaimer

This information is provided based on reasonable inquiry of our suppliers and represents our current actual knowledge based on the information they provided. This information is subject to change. The part numbers that TE has identified as EU RoHS compliant have a maximum concentration of 0.1% by weight in homogenous materials for lead, hexavalent chromium, mercury, PBB, PBDE, DBP, BBP, DEHP, DIBP, and 0.01% for cadmium, or qualify for an exemption to these limits as defined in the Annexes of Directive 2011/65/EU (RoHS2). Finished electrical and electronic equipment products will be CE marked as required by Directive 2011/65/EU. Components may not be CE marked. Additionally, the part numbers that TE has identified as EU ELV compliant have a maximum concentration of 0.1% by weight in homogenous materials for lead, hexavalent chromium, and mercury, and 0.01% for cadmium, or qualify for an exemption to these limits as defined in the Annexes of Directive 2000/53/EC (ELV). Regarding the REACH Regulation, the information TE provides on SVHC in articles for this part number is based on the latest European Chemicals Agency (ECHA) 'Guidance on requirements for substances in articles' posted at this URL: <https://echa.europa.eu/guidance-documents/guidance-on-reach>

## Compatible Parts



TE Model / Part # 5-1393144-9  
 K10P-11D15-48=K10/K20



TE Model / Part # 1419111-6  
 24A110=TRACK,MOUNTING



TE Model / Part # 4-1393144-2  
 K10P-11A15-240=K10/K20



TE Model / Part # 4-1393144-1  
 K10P-11A15-24=K10/K20



TE Model / Part # 4-1393144-4  
 K10P-11A15-6=K10/K20



TE Model / Part # 3-1393144-9  
 K10P-11A15-12=K10/K20



TE Model / Part # 6-1393144-0  
 K10P-11D15-6=K10/K20



TE Model / Part # 5-1393144-7  
 K10P-11D15-24=K10/K20



TE Model / Part # 4-1393144-0  
 K10P-11A15-120=K10/K20



TE Model / Part # 5-1393144-5  
 K10P-11D15-12=K10/K20



TE Model / Part # 5-1393144-4  
 K10P-11D15-110=K10/K20



TE Model / Part # 1419111-5  
 24A071=CLIP,SKT,ASSY,W/SCW



TE Model / Part # 2-1393144-1  
 K10L-11A15-120=K10/K20



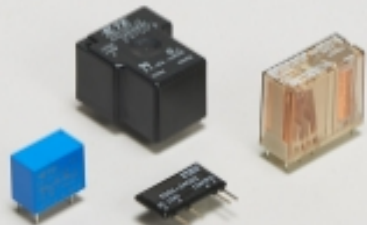
TE Model / Part # 4-1393144-3  
 K10P-11A15-48=K10/K20



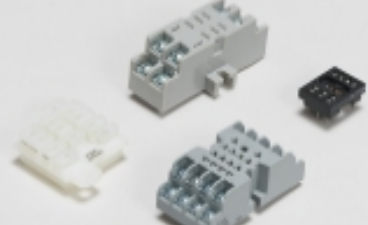
TE Model / Part # 5-1393144-6  
 K10P-11D15-120=K10/K20

TE Model / Part # 5-1393159-1  
 20C426=SPRING,HOLD-DOWN,K10,0

Also in the Series | **Potter & Brumfield K10**

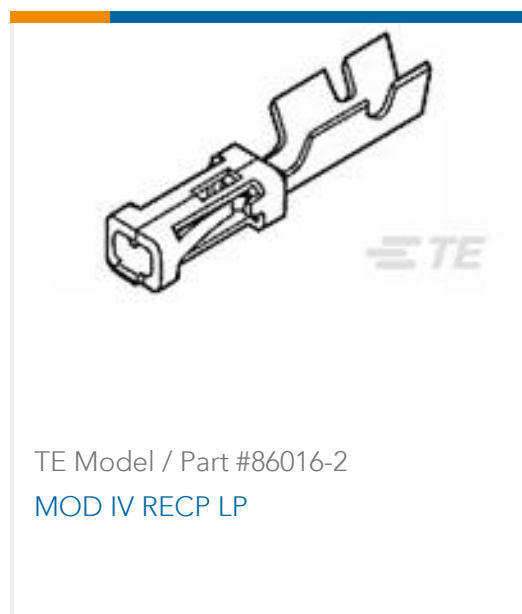


Power Relays(27)



Relay Accessories, Sockets & Clips(3)

Customers Also Bought



## Documents

### CAD Files

#### 3D PDF

3D

#### Customer View Model

[ENG\\_CVM\\_CVM\\_1-1419106-9\\_C.2d\\_dxf.zip](#)

English

#### Customer View Model

[ENG\\_CVM\\_CVM\\_1-1419106-9\\_C.3d\\_igs.zip](#)

English

#### Customer View Model

[ENG\\_CVM\\_CVM\\_1-1419106-9\\_C.3d\\_stp.zip](#)

English

By downloading the CAD file I accept and agree to the [Terms and Conditions](#) of use.

### Datasheets & Catalog Pages

#### K10 Sockets & Accessories

English

#### Industrial Relays Quick Reference Guide

English



---

**Product Specifications**

**Definitions Relays**

English

---

**Product Environmental Compliance**

**Product Compliance**

English

**Product Compliance**

English