

62057-3 ✓ ACTIVE

FASTON | FASTON 250

TE Internal #: 62057-3

FASTON 250, Quick Disconnects, Receptacle, 12 – 10AWG Wire Size, 3.31 – 5.26mm<sup>2</sup> Wire Size, Mating Tab Width 6.35 mm [.25 in]

[View on TE.com >](#)



Terminals & Splices > Quick Disconnects



Terminal & Splice Type: **Receptacle**

Wire Size: **3.31 – 5.26 mm<sup>2</sup>**

Mating Tab Width: **6.35 mm [.25 in]**

Mating Tab Thickness: **.81 mm [.032 in]**

## Features

### Product Type Features

Wire Stop	No
Wire/Cable Type	Regular Wire
Terminates To	Wire & Cable
Insertion Force	Low
Sealable	No
Insulated	No

### Configuration Features

Connection Capacity	Single
---------------------	--------

### Body Features

Fully Insulated	No
Plating Material	Tin

### Contact Features

Terminal Type	Receptacle
Terminal & Splice Type	Receptacle
Terminal Orientation	Flag



Contact Base Material	Brass
-----------------------	-------

Crimp Type	Tab-Lok
------------	---------

Barrel Type	Open
-------------	------

### Mechanical Attachment

Mating Retention Type	Dimple
-----------------------	--------

Wire Insulation Support	Without
-------------------------	---------

### Dimensions

Overall Length	17.02 mm[.67 in]
----------------	------------------

Receptacle Terminal Stock Thickness	.46 mm[.018 in]
-------------------------------------	-----------------

Wire Size	3.31 – 5.26 mm <sup>2</sup>
-----------	-----------------------------

Mating Tab Width	6.35 mm[.25 in]
------------------	-----------------

Mating Tab Thickness	.81 mm[.032 in]
----------------------	-----------------

### Usage Conditions

Operating Temperature Range	-40 – 110 °C[-40 – 230 °F]
-----------------------------	----------------------------

### Industry Standards

UL Rating	Listed
-----------	--------

CSA Certified	Yes
---------------	-----

### Packaging Features

Packaging Quantity	4000
--------------------	------

Packaging Method	Strip/Reel
------------------	------------

### Other

Line	Premier
------	---------

Comment	Right hand
---------	------------

### Product Compliance

[For compliance documentation, visit the product page on TE.com>](#)

EU RoHS Directive 2011/65/EU	Compliant
------------------------------	-----------

EU ELV Directive 2000/53/EC	Compliant
-----------------------------	-----------

China RoHS 2 Directive MIIT Order No 32, 2016	No Restricted Materials Above Threshold
---	---

EU REACH Regulation (EC) No. 1907/2006	Current ECHA Candidate List: JUN 2020 (209) Candidate List Declared Against: JAN 2020 (205)
--	--

Does not contain REACH SVHC

Halogen Content

Low Halogen - Br, Cl, F, I &lt; 900 ppm per homogenous material. Also BFR/CFR/PVC Free

Solder Process Capability

Not applicable for solder process capability

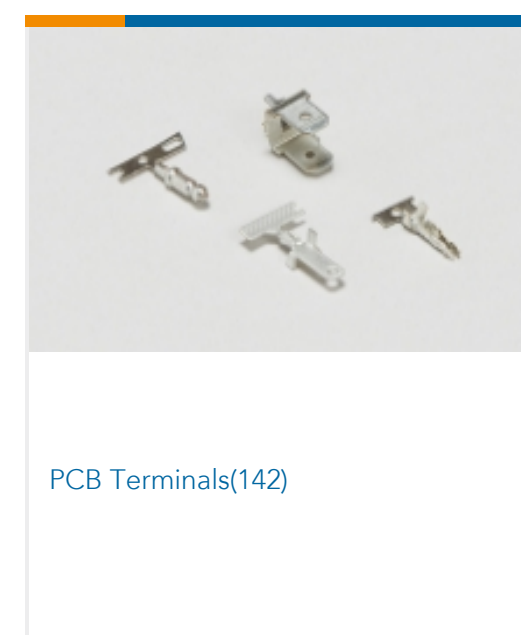
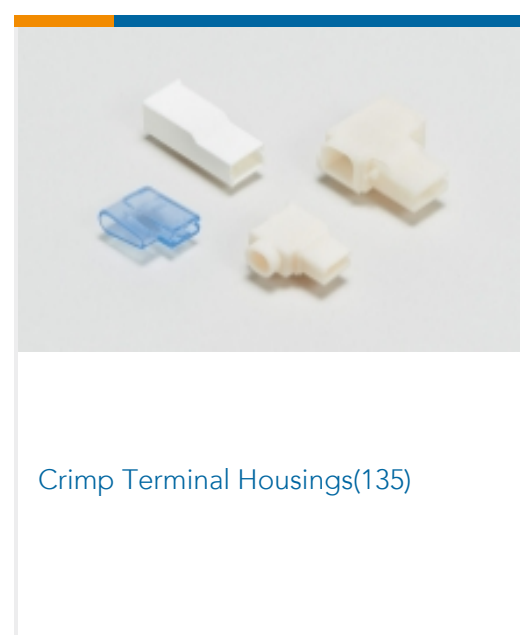
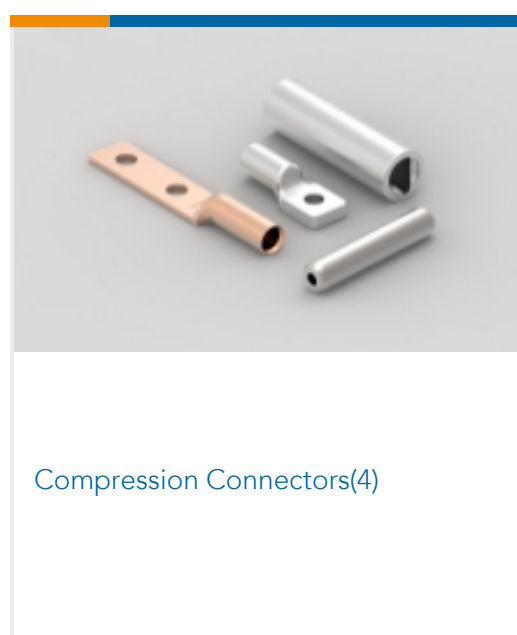
## Product Compliance Disclaimer

This information is provided based on reasonable inquiry of our suppliers and represents our current actual knowledge based on the information they provided. This information is subject to change. The part numbers that TE has identified as EU RoHS compliant have a maximum concentration of 0.1% by weight in homogenous materials for lead, hexavalent chromium, mercury, PBB, PBDE, DBP, BBP, DEHP, DIBP, and 0.01% for cadmium, or qualify for an exemption to these limits as defined in the Annexes of Directive 2011/65/EU (RoHS2). Finished electrical and electronic equipment products will be CE marked as required by Directive 2011/65/EU. Components may not be CE marked. Additionally, the part numbers that TE has identified as EU ELV compliant have a maximum concentration of 0.1% by weight in homogenous materials for lead, hexavalent chromium, and mercury, and 0.01% for cadmium, or qualify for an exemption to these limits as defined in the Annexes of Directive 2000/53/EC (ELV). Regarding the REACH Regulation, the information TE provides on SVHC in articles for this part number is based on the latest European Chemicals Agency (ECHA) 'Guidance on requirements for substances in articles' posted at this URL: <https://echa.europa.eu/guidance-documents/guidance-on-reach>

## Compatible Parts



## Also in the Series | FASTON 250





Quick Disconnects(461)

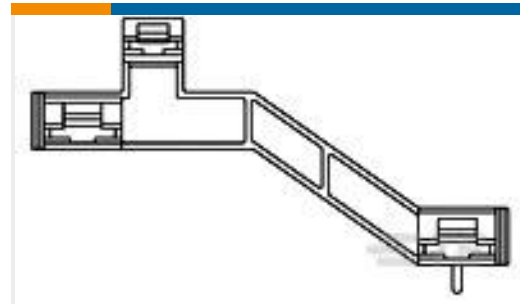


Splices(4)

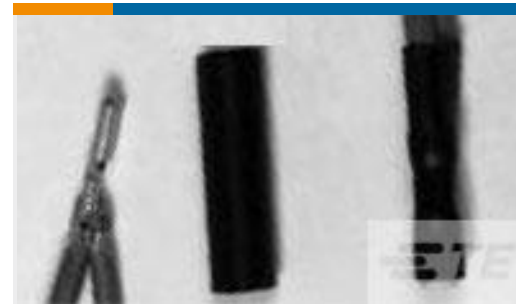
## Customers Also Bought



TE Model / Part #62056-4  
FASTON .250 FLAG REC 18-12 AWG  
TPBR



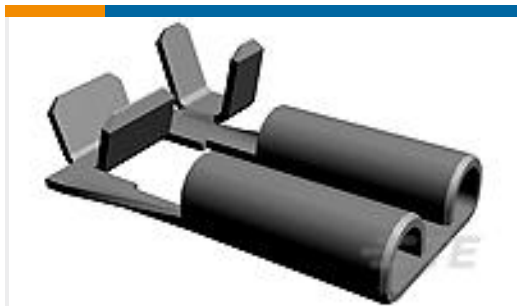
TE Model / Part #521488-1  
FASTON 187/250 REC HSG 3 CIR  
NYLON NAT



TE Model / Part #440452-000  
RT-3-NO.1-0-2.25IN



TE Model / Part #3-1123722-9  
3.96 EP PLUG HSG 9P(BLUE)



TE Model / Part #1742049-1  
FASTON 187 FLAG REC (2X)18AWG  
NPST



TE Model / Part #521498-2  
FASTON 250 REC HSG 4CIR GRE



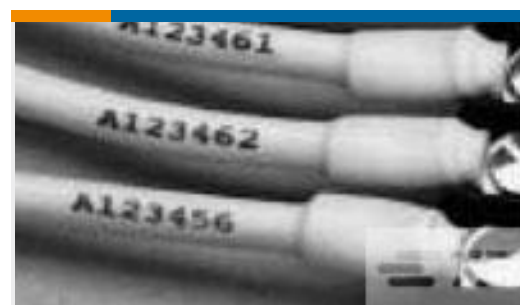
TE Model / Part #521498-3  
FASTON 250 REC HSG 4CIR NYLON  
YEL



TE Model / Part #6-1123722-9  
3.96 EP PLUG HSG 9P(GREEN)



TE Model / Part #109741P003  
DWP-125-0.280-L6-0-4.5IN



TE Model / Part #A10478-000  
RNF-100-3/16-BU-1IN

## Documents

### Product Drawings

[FASTON .250 FLAG REC 12-10 AWG TPBR](#)

English

### CAD Files

[3D PDF](#)

3D

[Customer View Model](#)

[ENG\\_CVM\\_CVM\\_62057-3\\_AR.2d\\_dxf.zip](#)



English

**Customer View Model**

[ENG\\_CVM\\_CVM\\_62057-3\\_AR.3d\\_igs.zip](#)

English

**Customer View Model**

[ENG\\_CVM\\_CVM\\_62057-3\\_AR.3d\\_stp.zip](#)

English

By downloading the CAD file I accept and agree to the [Terms and Conditions](#) of use.

---

**Datasheets & Catalog Pages**

[82004 FASTON Terminals \(Insulated and Uninsulated\) Catalog - FASTON Receptacles Section](#)

English

---

**Product Specifications**

[Application Specification](#)

English

[AMPLIVAR Bobbin Tab Terminals](#)

English

[Application Specification](#)

English

---

**Product Environmental Compliance**

[MD\\_62057-3\\_112520182253\\_dmtec](#)

English

[MD\\_62057-3\\_112520182253\\_dmtec](#)

English

---

**Agency Approvals**

[UL Report](#)

English