

46755-2 ✓ ACTIVE

AMP

TE Internal #: 46755-2

Portable Crimp Tools, Premium Crimp Tooling, Removable /Interchangeable, TE Product Specification (114-) / MIL Spec, Hydraulic / Battery / Manual

[View on TE.com >](#)



Application Tooling > Portable Crimp Tools



Tool Grade: Premium Crimp Tooling

Die Sets Type: Removable/Interchangeable

Specification Type: MIL Spec, TE Product Specification (114-)

Certification: Yes – Certificate Included

Power Type: Battery, Hydraulic, Manual

Features

Other

Crimp Form-Wire Barrel Type	Closed Barrel - Confined Crescent
Tool Grade	Premium Crimp Tooling
Die Sets Type	Removable/Interchangeable
Specification Type	MIL Spec, TE Product Specification (114-)
Certification	Yes – Certificate Included
Power Type	Battery, Hydraulic, Manual
Tool Type	Die Assembly

Product Compliance

[For compliance documentation, visit the product page on TE.com>](#)

EU RoHS Directive 2011/65/EU	Compliant
EU ELV Directive 2000/53/EC	Not Yet Reviewed
China RoHS 2 Directive MIIT Order No 32, 2016	No Restricted Materials Above Threshold
EU REACH Regulation (EC) No. 1907/2006	Current ECHA Candidate List: JUN 2020 (209) Candidate List Declared Against: JUN 2016 (169) Does not contain REACH SVHC
Halogen Content	Low Halogen - Br, Cl, F, I < 900 ppm per homogenous material. Also BFR/CFR/PVC



Free


Solder Process Capability

Not reviewed for solder process capability

Product Compliance Disclaimer

This information is provided based on reasonable inquiry of our suppliers and represents our current actual knowledge based on the information they provided. This information is subject to change. The part numbers that TE has identified as EU RoHS compliant have a maximum concentration of 0.1% by weight in homogenous materials for lead, hexavalent chromium, mercury, PBB, PBDE, DBP, BBP, DEHP, DIBP, and 0.01% for cadmium, or qualify for an exemption to these limits as defined in the Annexes of Directive 2011/65/EU (RoHS2). Finished electrical and electronic equipment products will be CE marked as required by Directive 2011/65/EU. Components may not be CE marked. Additionally, the part numbers that TE has identified as EU ELV compliant have a maximum concentration of 0.1% by weight in homogenous materials for lead, hexavalent chromium, and mercury, and 0.01% for cadmium, or qualify for an exemption to these limits as defined in the Annexes of Directive 2000/53/EC (ELV). Regarding the REACH Regulations, TE's information on SVHC in articles for this part number is still based on the European Chemical Agency (ECHA) 'Guidance on requirements for substances in articles' (Version: 2, April 2011), applying the 0.1% weight on weight concentration threshold at the finished product level. TE is aware of the European Court of Justice ruling of September 10th, 2015 also known as O5A (Once An Article Always An Article) stating that, in case of 'complex object', the threshold for a SVHC must be applied to both the product as a whole and simultaneously to each of the articles forming part of its composition. TE has evaluated this ruling based on the new ECHA "Guidance on requirements for substances in articles" (June 2017, version 4.0) and will be updating its statements accordingly.

Compatible Parts



TE Model / Part # CAT-AM74-AM74N
 AMPOWER TERMINAL CENTERLINE
 2 HOLES



TE Model / Part # CAT-AM74-AM74B
 AMPOWER TERMINAL 2 STUD HOLES



TE Model / Part # CAT-AM74-AM74H
 AMPOWER TERMINAL SLOTTED
 STUD HOLE



TE Model / Part # CAT-AM74-AM74G
 AMPOWER TERMINAL 2 STUD
 HOLES LONG BAR



TE Model / Part # CAT-AM74-AM74J
 AMPOWER BUTT SPLICE LONG
 BARREL



TE Model / Part # CAT-AM74-AM74I
 AMPOWER BUTT SPLICE



TE Model / Part # CAT-AM74-AM74L
 AMPOWER PARALLEL SPLICE



TE Model / Part # CAT-AM74-AM74A
 AMPOWER TERMINAL 1 STUD HOLE



TE Model / Part # CAT-AM74-AM74
 AMPOWER TERMINAL WO STUD
 HOLE



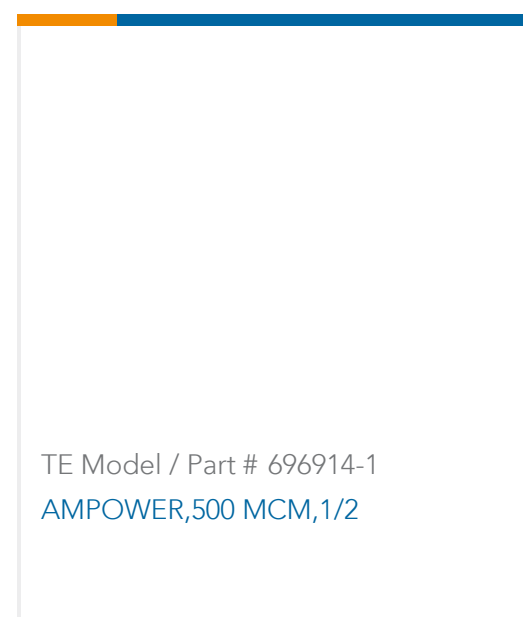
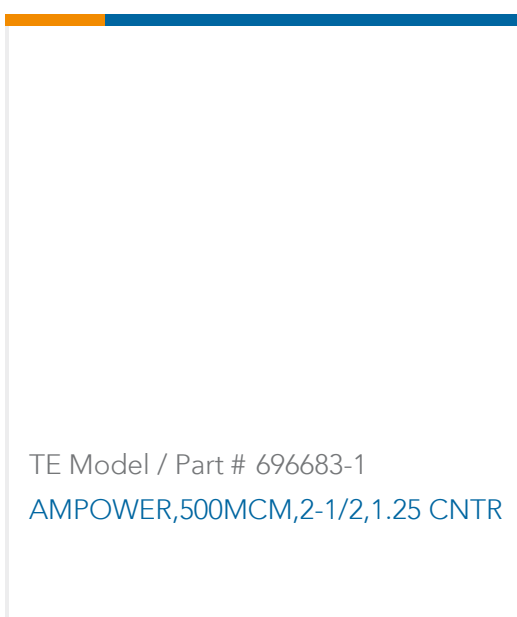
TE Model / Part # CAT-AM74-AM74F
 AMPOWER TERMINAL WO HOLE
 LONG BARREL



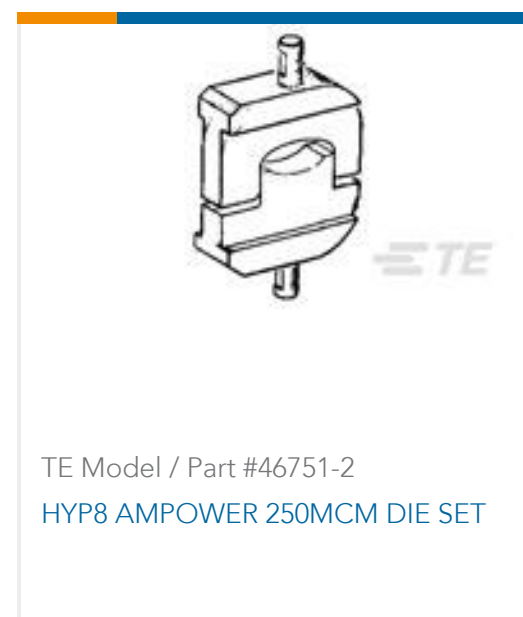
TE Model / Part # 1752786-1
 HYP10 4/0-1000MCM 26T HEAD



TE Model / Part # 69082
 HYP8 4/0-1000MCM 26T HEAD



Customers Also Bought



Documents

Datasheets & Catalog Pages

[AT-Hydraulic Crimp Tooling Solutions-1654519](#)

English

[Crimp Term Whitepaper-Use the Right Tool 1-1773953-1](#)

English

[CRIMPING WHERE FORM MEETS FUNCTION](#)

English

Bottoming Dies

English

Instruction Sheets

[Instruction Sheet \(U.S.\)](#)

English