

40523 ✓ ACTIVE

TE Internal #: 40523

Rings & Spades, Ring Tongue, 12 – 10AWG Wire Size, 2.62 – 6.64

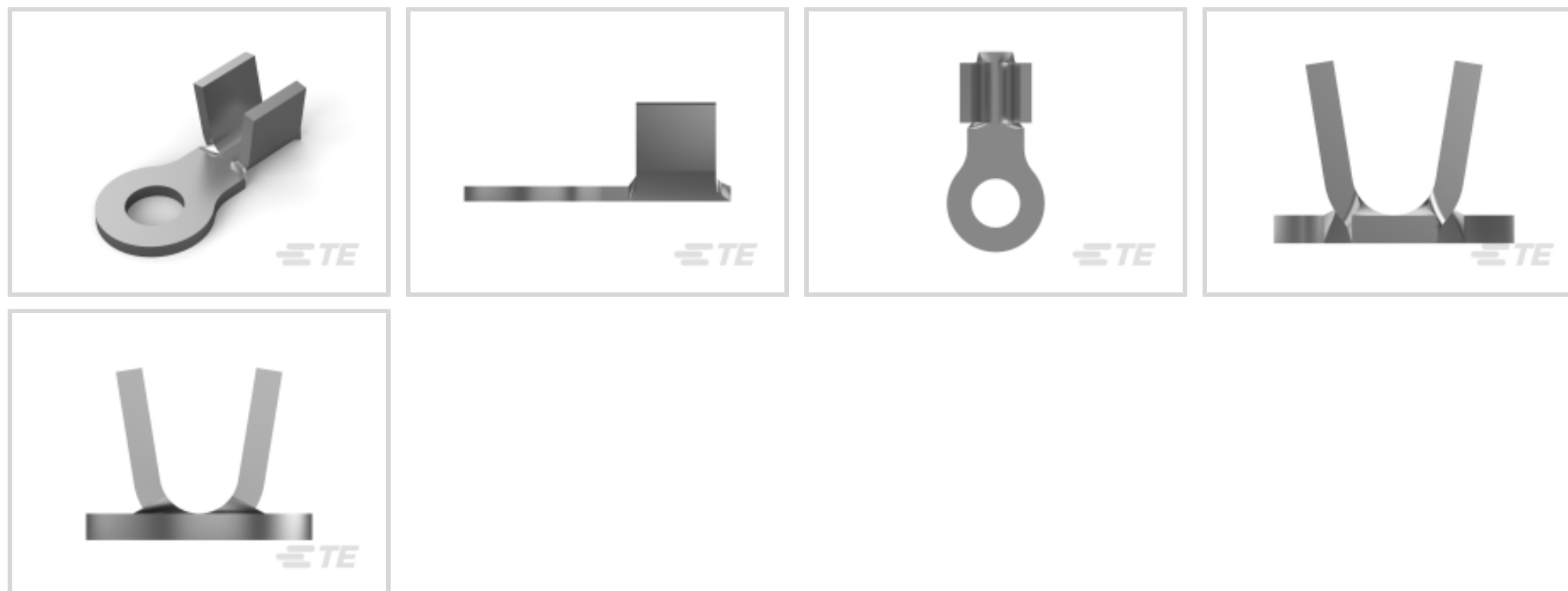
mm² Wire Size, 6529 – 10382CMA Wire Size, M4 / #8, Stud

Diameter 4.34 mm [.171 in]

[View on TE.com >](#)



Terminals & Splices > Rings & Spades



Terminal & Splice Type: **Ring Tongue**

Wire Size: **6529 – 10382 CMA**

Stud Size: **#8, M4**

Features

Product Type Features

Shape Description	Circular/Oval
Stud Size	#8, M4
Barrel Type	Open Barrel
Sealable	No
Insulated	No
Wire/Cable Type	Regular Wire
Support Style	Non - Insulation Support

Configuration Features

Number of Holes	1
Terminal Angle	Straight

Body Features

Inspection Slot	No
Weight per Piece	.963 g
Plating Material	Tin

Contact Features

Contact Base Material	Brass
-----------------------	-------



Terminal & Splice Type	Ring Tongue
------------------------	-------------

Terminal Orientation	Straight
----------------------	----------

Underplating Material	None
-----------------------	------

Mechanical Attachment

Wire Insulation Support	Without
-------------------------	---------

Dimensions

Wire Size	6529 – 10382 CMA
-----------	------------------

Stud Diameter	4.34 mm [.171 in]
---------------	-------------------

Tongue Thickness	1.02 mm [.04 in]
------------------	------------------

Overall Length	17.02 mm [.67 in]
----------------	-------------------

Barrel Inside Diameter	3.05 mm [.12 in]
------------------------	------------------

Usage Conditions

Operating Temperature Range	-40 – 110 °C [-40 – 230 °F]
-----------------------------	-----------------------------

Operation/Application

Heavy Duty	No
------------	----

Industry Standards

Government Qualified	No
----------------------	----

Packaging Features

Packaging Quantity	8000
--------------------	------

Packaging Method	Strip/Reel
------------------	------------

Product Compliance

[For compliance documentation, visit the product page on TE.com>](#)

EU RoHS Directive 2011/65/EU	Compliant
------------------------------	-----------

EU ELV Directive 2000/53/EC	Compliant
-----------------------------	-----------

China RoHS 2 Directive MIIT Order No 32, 2016	No Restricted Materials Above Threshold
---	---

EU REACH Regulation (EC) No. 1907/2006	Current ECHA Candidate List: JUN 2020 (209) Candidate List Declared Against: JAN 2020 (205) Does not contain REACH SVHC
--	---

Halogen Content	Low Halogen - Br, Cl, F, I < 900 ppm per homogenous material. Also BFR/CFR/PVC Free
-----------------	---

Solder Process Capability

Not applicable for solder process capability

Product Compliance Disclaimer

This information is provided based on reasonable inquiry of our suppliers and represents our current actual knowledge based on the information they provided. This information is subject to change. The part numbers that TE has identified as EU RoHS compliant have a maximum concentration of 0.1% by weight in homogenous materials for lead, hexavalent chromium, mercury, PBB, PBDE, DBP, BBP, DEHP, DIBP, and 0.01% for cadmium, or qualify for an exemption to these limits as defined in the Annexes of Directive 2011/65/EU (RoHS2). Finished electrical and electronic equipment products will be CE marked as required by Directive 2011/65/EU. Components may not be CE marked. Additionally, the part numbers that TE has identified as EU ELV compliant have a maximum concentration of 0.1% by weight in homogenous materials for lead, hexavalent chromium, and mercury, and 0.01% for cadmium, or qualify for an exemption to these limits as defined in the Annexes of Directive 2000/53/EC (ELV). Regarding the REACH Regulation, the information TE provides on SVHC in articles for this part number is based on the latest European Chemicals Agency (ECHA) 'Guidance on requirements for substances in articles' posted at this URL: <https://echa.europa.eu/guidance-documents/guidance-on-reach>

Compatible Parts



TE Model / Part # 2150245-1
OCEAN_2.0_APPLICATOR-E-210F



TE Model / Part # 2-2150245-1
OCEAN_2.0_APPLICATOR-E-210F

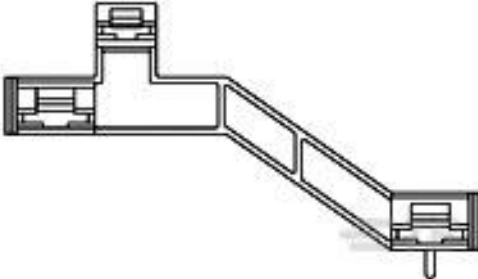


TE Model / Part # 2-2150245-2
OCEAN_2.0_APPLICATOR-E-210FA



TE Model / Part # 2150245-2
OCEAN_2.0_APPLICATOR-E-210FA

Customers Also Bought



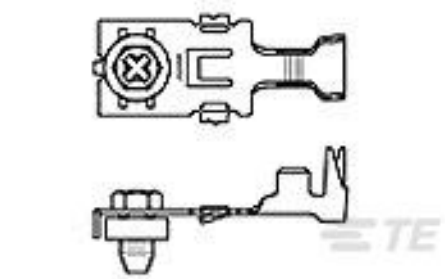
TE Model / Part #521488-1
FASTON 187/250 REC HSG 3 CIR
NYLON NAT



TE Model / Part #440452-000
RT-3-NO.1-0-2.25IN



TE Model / Part #3-1123722-9
3.96 EP PLUG HSG 9P(BLUE)



TE Model / Part #521844-1
POWER BLOCK ASSEMBLY 16-12
AWG BR



TE Model / Part #1742049-1
FASTON 187 FLAG REC (2X)18AWG
NPST



TE Model / Part #521498-2
FASTON 250 REC HSG 4CIR GRE



TE Model / Part #521498-3
FASTON 250 REC HSG 4CIR NYLON
YEL



TE Model / Part #6-1123722-9
3.96 EP PLUG HSG 9P(GREEN)



TE Model / Part #109741P003
DWP-125-0.280-L6-0-4.5IN



TE Model / Part #A10478-000
RNF-100-3/16-BU-1IN

Documents

Product Drawings

RING TERMINAL 12-10 AWG TPBR

English

CAD Files

3D PDF

3D

Customer View Model

[ENG_CVM_CVM_40523_BE_c-40523-be.2d_dxf.zip](#)

English

Customer View Model

[ENG_CVM_CVM_40523_BE_c-40523-be.3d_igs.zip](#)

English

Customer View Model

[ENG_CVM_CVM_40523_BE_c-40523-be.3d_stp.zip](#)

English

By downloading the CAD file I accept and agree to the [Terms and Conditions](#) of use.

Product Specifications

Engineering Report

English

Product Environmental Compliance

TE Material Declaration

English

Agency Approvals

UL Report

English