

40577 ✓ ACTIVE

TE Internal #: 40577

Rings & Spades, Spade Tongue, 18 – 14AWG Wire Size, .8 – 2mm²

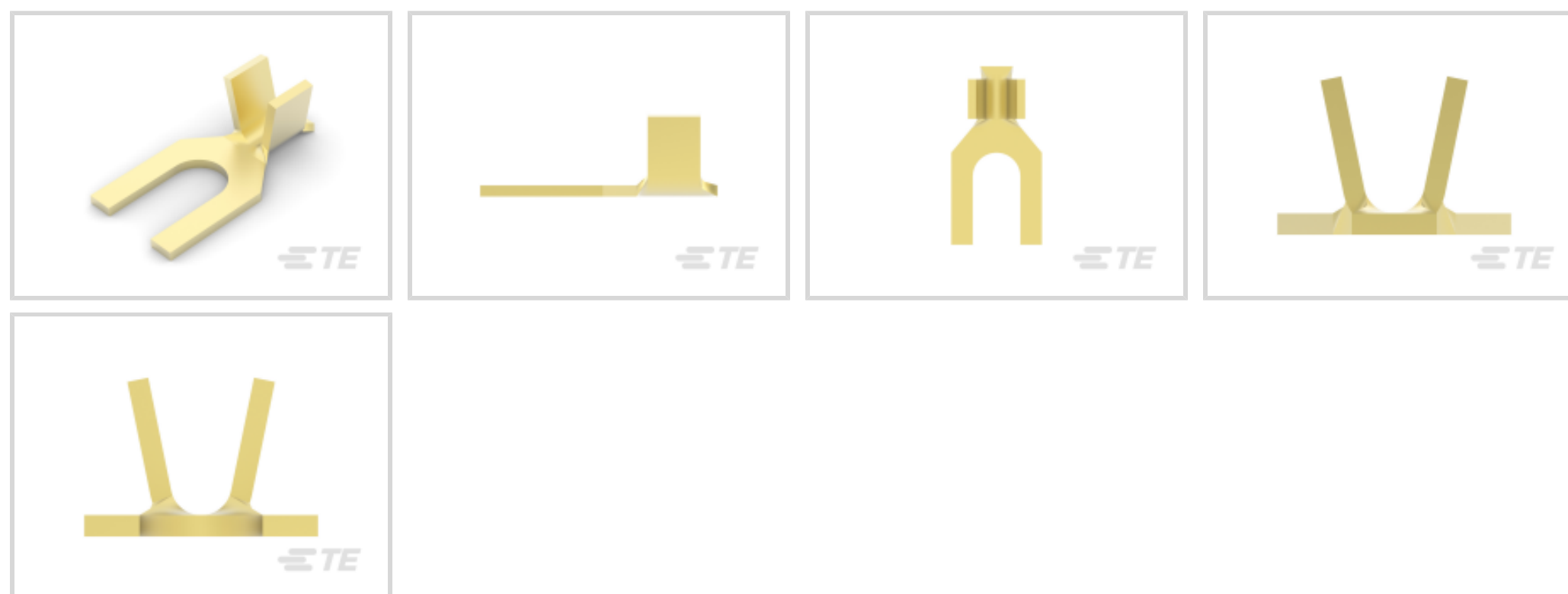
Wire Size, 1624 – 4106CMA Wire Size, #6 / M3.5, Stud Diameter

3.68 mm [.145 in]

[View on TE.com >](#)



Terminals & Splices > Rings & Spades



Terminal & Splice Type: **Spade Tongue**

Wire Size: **1624 – 4106 CMA**

Stud Size: **#6, M3.5**

Features

Product Type Features

Shape Description	Square Spade
Stud Size	#6, M3.5
Barrel Type	Open Barrel
Sealable	No
Insulated	No
Wire/Cable Type	Regular Wire
Support Style	Non - Insulation Support

Configuration Features

Terminal Angle	Straight
----------------	----------

Body Features

Inspection Slot	No
Weight per Piece	.411 g
Plating Material	Unplated

Contact Features

Contact Base Material	Brass
Terminal & Splice Type	Spade Tongue



Terminal Orientation	Straight
----------------------	----------

Underplating Material	None
-----------------------	------

Mechanical Attachment

Wire Insulation Support	Without
-------------------------	---------

Dimensions

Wire Size	1624 – 4106 CMA
-----------	-----------------

Stud Diameter	3.68 mm [.145 in]
---------------	-------------------

Tongue Thickness	.76 mm [.03 in]
------------------	-----------------

Overall Length	14.22 mm [.56 in]
----------------	-------------------

Barrel Inside Diameter	1.82 mm [.072 in]
------------------------	-------------------

Usage Conditions

Operating Temperature Range	-40 – 110 °C [-40 – 230 °F]
-----------------------------	-----------------------------

Operation/Application

Heavy Duty	No
------------	----

Industry Standards

Government Qualified	No
----------------------	----

Packaging Features

Packaging Quantity	20000
--------------------	-------

Packaging Method	Strip/Reel
------------------	------------

Product Compliance

[For compliance documentation, visit the product page on TE.com>](#)

EU RoHS Directive 2011/65/EU	Compliant
------------------------------	-----------

EU ELV Directive 2000/53/EC	Compliant
-----------------------------	-----------

China RoHS 2 Directive MIIT Order No 32, 2016	No Restricted Materials Above Threshold
---	---

EU REACH Regulation (EC) No. 1907/2006	Current ECHA Candidate List: JUN 2020 (209) Candidate List Declared Against: JAN 2020 (205) Does not contain REACH SVHC
--	---

Halogen Content	Low Halogen - Br, Cl, F, I < 900 ppm per homogenous material. Also BFR/CFR/PVC Free
-----------------	---

Solder Process Capability	Not applicable for solder process capability
---------------------------	--

Product Compliance Disclaimer

This information is provided based on reasonable inquiry of our suppliers and represents our current actual knowledge based on the information they provided. This information is subject to change. The part numbers that TE has identified as EU RoHS compliant have a maximum concentration of 0.1% by weight in homogenous materials for lead, hexavalent chromium, mercury, PBB, PBDE, DBP, BBP, DEHP, DIBP, and 0.01% for cadmium, or qualify for an exemption to these limits as defined in the Annexes of Directive 2011/65/EU (RoHS2). Finished electrical and electronic equipment products will be CE marked as required by Directive 2011/65/EU. Components may not be CE marked. Additionally, the part numbers that TE has identified as EU ELV compliant have a maximum concentration of 0.1% by weight in homogenous materials for lead, hexavalent chromium, and mercury, and 0.01% for cadmium, or qualify for an exemption to these limits as defined in the Annexes of Directive 2000/53/EC (ELV). Regarding the REACH Regulation, the information TE provides on SVHC in articles for this part number is based on the latest European Chemicals Agency (ECHA) 'Guidance on requirements for substances in articles' posted at this URL: <https://echa.europa.eu/guidance-documents/guidance-on-reach>

Compatible Parts



TE Model / Part # 2-2150755-1
OC-PA-E-FM-140F-001-0268



TE Model / Part # 2-2150755-2
OC-PA-E-FA-140F-001-0268



TE Model / Part # 2150755-1
OC-AT-E-FM-140F-001-0268



TE Model / Part # 2150755-2
OC-AT-E-FA-140F-001-0268

Customers Also Bought



TE Model / Part #184147-1
TERMINAL,SOLIS FLAG R 2 10.5MM




TE Model / Part #5-103961-2
8X3 MTE RCPT SR LATCH .100CL



TE Model / Part #63848-1
FASTON .187 FLAG REC 20-16 AWG BR



TE Model / Part #5-103949-1
8X2 MTE SHRD PIN SR LTCH .100 BR



TE Model / Part #41282
ID BAND .03 BR



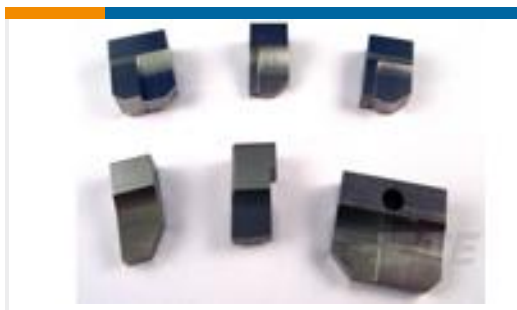
TE Model / Part #2-1633928-5
ANVIL COMBINATION



TE Model / Part #3-644570-3
03P MTA156 CONN ASSY 18AWG LF



TE Model / Part #373014
ANVIL, SPLICE



TE Model / Part #373164
ANVIL, SPLICE



TE Model / Part #4-87977-0
30 MODIV HSG COMP DR .100 POL

Documents

Product Drawings

SPADE TERMINAL 18-14 AWG BR

English

CAD Files

3D PDF

3D

Customer View Model

[ENG_CVM_CVM_40577_AF_c-40577-af.2d_dxf.zip](#)

English

Customer View Model

[ENG_CVM_CVM_40577_AF_c-40577-af.3d_igs.zip](#)

English

Customer View Model

[ENG_CVM_CVM_40577_AF_c-40577-af.3d_stp.zip](#)

English

By downloading the CAD file I accept and agree to the [Terms and Conditions](#) of use.

Product Specifications

Product Specification

English

Product Specification

English

Product Environmental Compliance

TE Material Declaration

English

Agency Approvals

UL Report

English