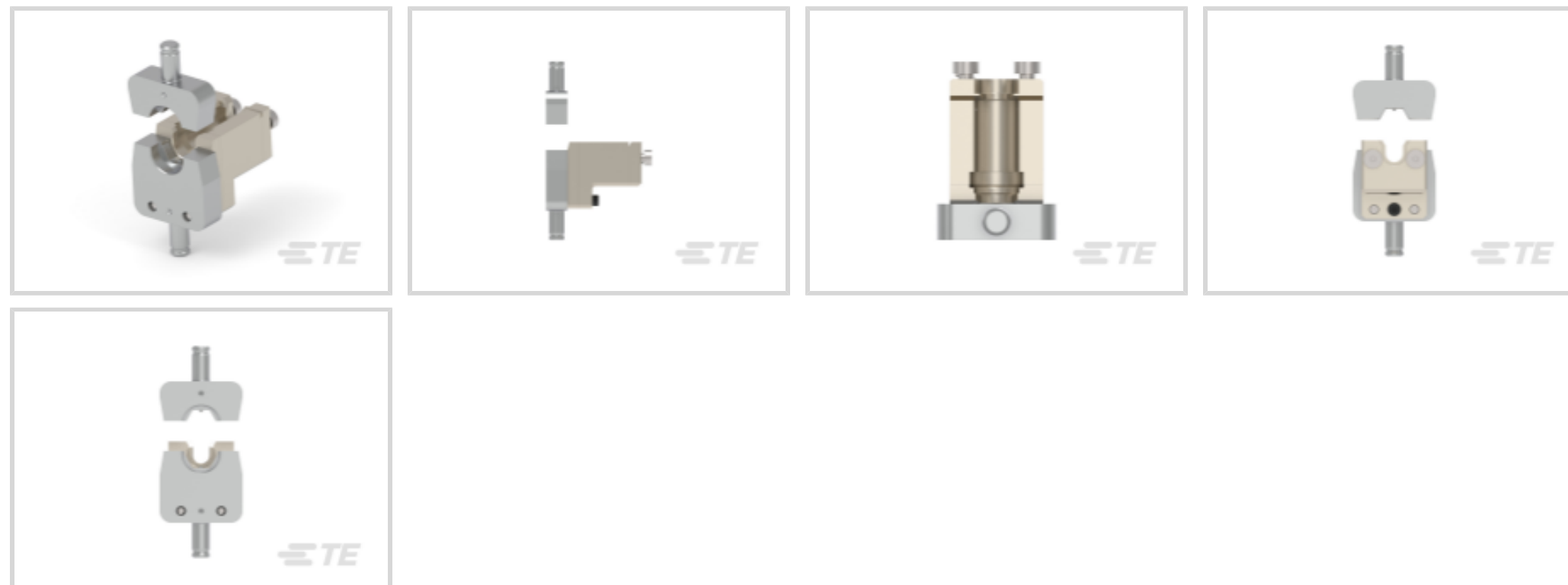




Application Tooling > Spare & Wear Tooling



Applicator & Product Style: **High Voltage**

Features

Other

Applicator & Product Style

High Voltage

Product Compliance

[For compliance documentation, visit the product page on TE.com>](#)

EU RoHS Directive 2011/65/EU

Out of Scope

EU ELV Directive 2000/53/EC

Not Yet Reviewed

China RoHS 2 Directive MIIT Order No 32, 2016

No Restricted Materials Above Threshold

EU REACH Regulation (EC) No. 1907/2006

Current ECHA Candidate List: JUN 2020 (209)
Not Yet Reviewed

Halogen Content

Not Yet Reviewed for halogen content

Solder Process Capability

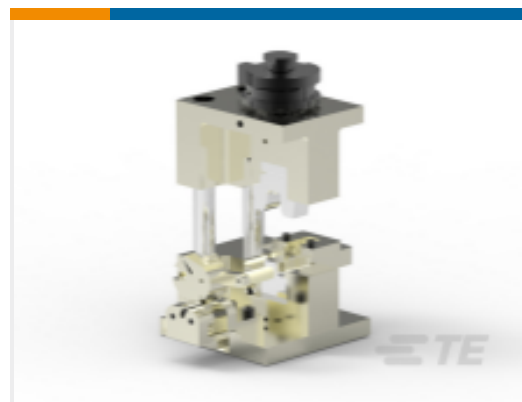
Not applicable for solder process capability

Product Compliance Disclaimer

This information is provided based on reasonable inquiry of our suppliers and represents our current actual knowledge based on the information they provided. This information is subject to change. The part numbers that TE has identified as EU RoHS compliant have a maximum concentration of 0.1% by weight in homogenous materials for lead, hexavalent chromium, mercury, PBB, PBDE, DBP, BBP, DEHP, DIBP, and 0.01% for cadmium, or qualify for an exemption to these limits as defined in the Annexes of Directive 2011/65/EU (RoHS2). Finished electrical and electronic equipment products will be CE marked as required by Directive 2011/65/EU. Components may not be CE marked. Additionally, the part numbers that TE has identified as EU ELV compliant have a maximum concentration of 0.1% by weight in homogenous materials for lead, hexavalent chromium, and mercury, and 0.01% for cadmium, or qualify for an exemption to these limits as defined in the Annexes of Directive 2000/53/EC (ELV). Regarding the REACH Regulations, TE's information on SVHC in articles for this part number is still based on the European Chemical Agency (ECHA) 'Guidance on requirements for substances in articles' (Version: 2, April 2011), applying the 0.1% weight on weight concentration threshold at the finished

product level. TE is aware of the European Court of Justice ruling of September 10th, 2015 also known as O5A (Once An Article Always An Article) stating that, in case of 'complex object', the threshold for a SVHC must be applied to both the product as a whole and simultaneously to each of the articles forming part of its composition. TE has evaluated this ruling based on the new ECHA "Guidance on requirements for substances in articles" (June 2017, version 4.0) and will be updating its statements accordingly.

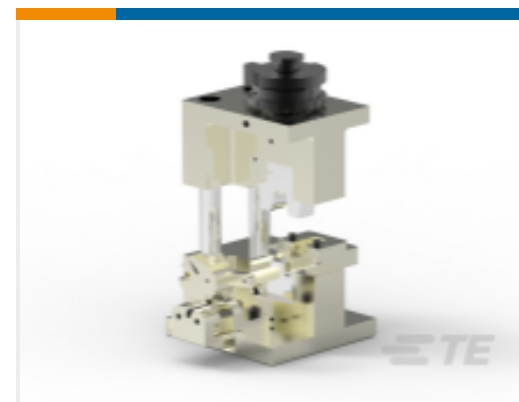
Compatible Parts



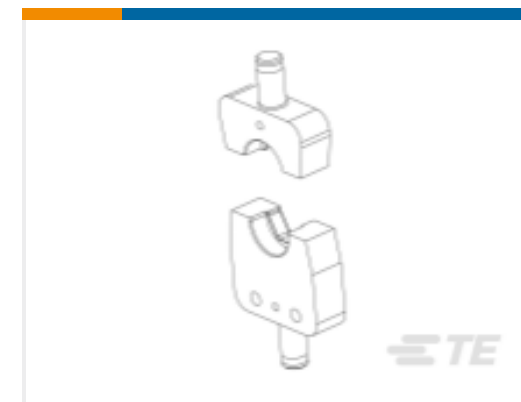
TE Model / Part # 2305470-1
HV MODULAR DIE HOLDER WITH
FINE ADJUST



TE Model / Part # 2326378-1
HV MODULAR DIE HOLDER W/O
FINE ADJUST



TE Model / Part # 2234443-1
HV MODULAR DIE HOLDER WITH
FINE ADJUST



TE Model / Part # 7-2234183-7
CRIMP TOOLING KIT



TE Model / Part # 2316553-2
STEEL, OUTER FERRULE, 50SQMM

Customers Also Bought



TE Model / Part #2266457-2
OC-AT-S-FA-160F2000-001-0304



TE Model / Part #8-1579018-0
EXTRACTION TOOL



TE Model / Part #CQ50283001
ACW0219-0.35-2L9(NS)



TE Model / Part #2150908-2
OC-AT-E-FA-100F120OV-001-0311



TE Model / Part #2151509-2
OCEAN-2.0-APPLICATOR-S-
110F155OVA



TE Model / Part #528018-3
IR-1891-SHUTTLE-RETN DOUBLE
HEAT ELEMENT

Documents

[Datasheets & Catalog Pages](#)

[High Voltage Cable Processing Solutions](#)



English

Product Specifications

Safety Precautions

English

Safety Precautions

French

Instruction Sheets

[High Force 20 \(HF-20\) Terminator, PN 2335500-\[\], and High Voltage 20 \(HV-20\) Terminator, PN 2348822-\[\]](#)

[High Force 20 \(HF-20\) Terminator, PN 2335500-\[\], and High Voltage 20 \(HV-20\) Terminator, PN 2348822-\[\]](#)

German

[High Force 20 \(HF-20\) Terminator, PN 2335500-\[\], and High Voltage 20 \(HV-20\) Terminator, PN 2348822-\[\]](#)

English

[High Force 20 \(HF-20\) Terminator, PN 2335500-\[\], and High Voltage 20 \(HV-20\) Terminator, PN 2348822-\[\]](#)

[High Force 20 \(HF-20\) Terminator, PN 2335500-\[\], and High Voltage 20 \(HV-20\) Terminator, PN 2348822-\[\]](#)

French

[High Force 20 \(HF-20\) Terminator, PN 2335500-\[\], and High Voltage 20 \(HV-20\) Terminator, PN 2348822-\[\]](#)

[High Force 20 \(HF-20\) Terminator, PN 2335500-\[\], and High Voltage 20 \(HV-20\) Terminator, PN 2348822-\[\]](#)

[High Force 20 \(HF-20\) Terminator, PN 2335500-\[\], and High Voltage 20 \(HV-20\) Terminator, PN 2348822-\[\]](#)