



Application Tooling > Spare & Wear Tooling



Applicator & Product Style: **Standard**

Features

Other

Applicator & Product Style	Standard
----------------------------	----------

Product Compliance


[For compliance documentation, visit the product page on TE.com>](#)

EU RoHS Directive 2011/65/EU	Out of Scope
EU ELV Directive 2000/53/EC	Out of Scope
China RoHS 2 Directive MIIT Order No 32, 2016	No Restricted Materials Above Threshold
EU REACH Regulation (EC) No. 1907/2006	Current ECHA Candidate List: JUN 2020 (209) Candidate List Declared Against: JAN 2017 (173) Does not contain REACH SVHC
Halogen Content	Not Yet Reviewed for halogen content
Solder Process Capability	Not applicable for solder process capability

Product Compliance Disclaimer


This information is provided based on reasonable inquiry of our suppliers and represents our current actual knowledge based on the information they provided. This information is subject to change. The part numbers that TE has identified as EU RoHS compliant have a maximum concentration of 0.1% by weight in homogenous materials for lead, hexavalent chromium, mercury, PBB, PBDE, DBP, BBP, DEHP, DIBP, and 0.01% for cadmium, or qualify for an exemption to these limits as defined in the Annexes of Directive 2011/65/EU (RoHS2). Finished electrical and electronic equipment products will be CE marked as required by Directive 2011/65/EU. Components may not be CE marked. Additionally, the part numbers that TE has identified as EU ELV compliant have a maximum concentration of 0.1% by weight in homogenous materials for lead, hexavalent chromium, and mercury, and 0.01% for cadmium, or qualify for an exemption to these limits as defined in the Annexes of Directive 2000/53/EC (ELV). Regarding the REACH Regulations, TE's information on SVHC in articles for this part number is still based on the European Chemical Agency (ECHA) 'Guidance on requirements for substances in articles' (Version: 2, April 2011), applying the 0.1% weight on weight concentration threshold at the finished product level. TE is aware of the European Court of Justice ruling of September 10th, 2015 also known as O5A (Once An Article Always An Article) stating that, in case of 'complex object', the threshold for a SVHC must be applied to both the product as a whole and simultaneously to each of the articles forming part of its composition. TE has evaluated this ruling based on the new ECHA "Guidance on requirements for substances in articles" (June 2017, version 4.0) and will be updating its statements accordingly.

Compatible Parts



TE Model / Part # 566455-2
5K CE THRU SPLICE-140F090F140F-AIR FEED

Customers Also Bought




TE Model / Part #63561-1
SPLICE 10000-16000 CMA 031BR



TE Model / Part #63539-2
FASTON .250 RECEPTACLE 14-10 AWG BR



TE Model / Part #794715-1
09P UMNL CAP HSG NATL,PAN MNT



TE Model / Part #155406-5
TONGUE,RING OPEN BARREL 18-14 AWG BR



TE Model / Part #1-480418-0
FASTON 205 HSG NYLON NAT



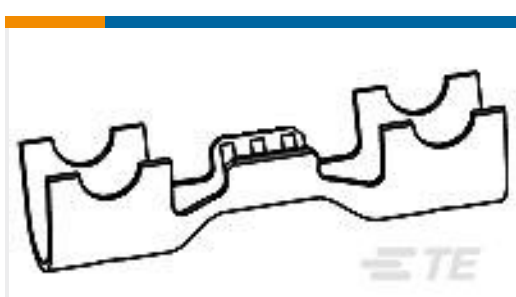
TE Model / Part #1633102-1
ANVIL, AMPLIVAR, SIDE FEED



TE Model / Part #462006-3
FLOATING SHEAR



TE Model / Part #794716-1
12P UMNL CAP HSG NATL,PAN MNT



TE Model / Part #62516-2
SPLICE IS 1600-4100 .0126 BR



TE Model / Part #662183-5
ANVIL, COMBINATION .055

Documents

Datasheets & Catalog Pages

[CRIMPING WHERE FORM MEETS FUNCTION](#)

English

Instruction Sheets

[Instruction Sheet \(U.S.\)](#)



English