

40955 ✓ ACTIVE

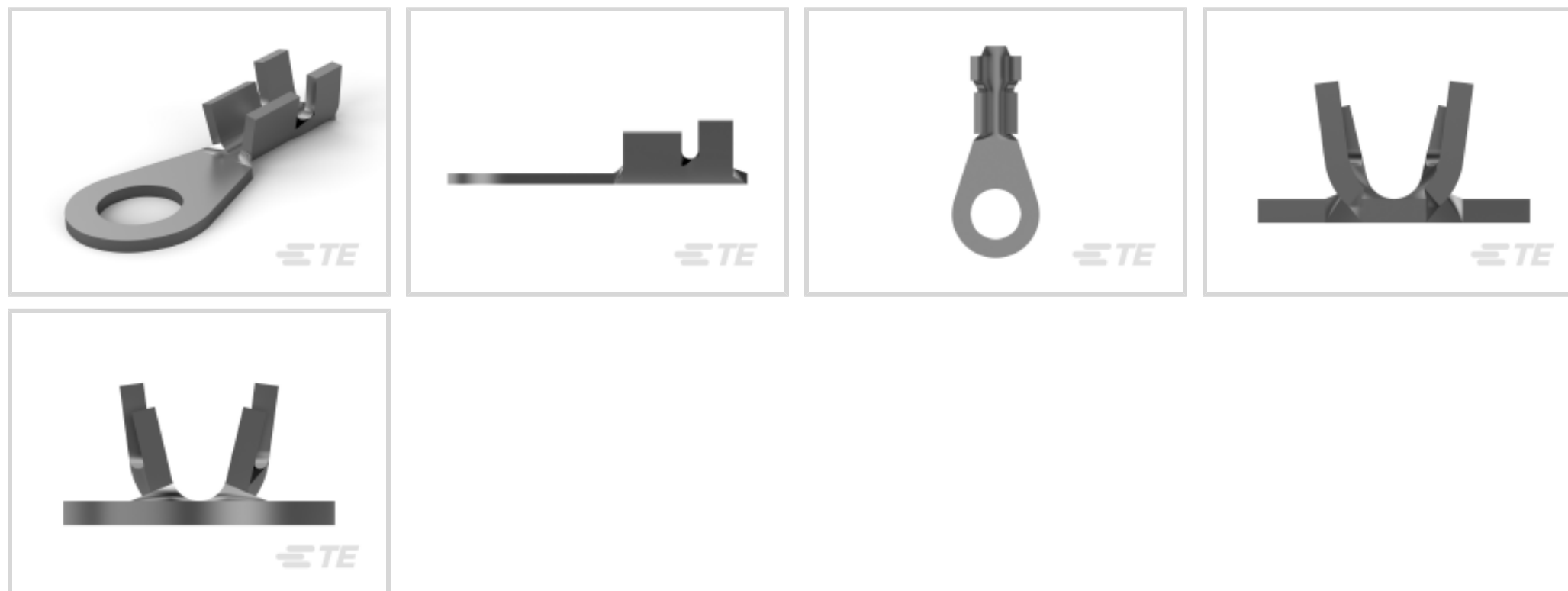
TE Internal #: 40955

Rings & Spades, Ring Tongue, 20 – 16AWG Wire Size, .5 – 1.4mm<sup>2</sup>  
Wire Size, 1021 – 2582CMA Wire Size, #10, Stud Diameter 5 mm [.197 in]

[View on TE.com >](#)



Terminals & Splices > Rings & Spades



Terminal & Splice Type: **Ring Tongue**

Wire Size: **1021 – 2582 CMA**

Stud Size: **#10**

## Features

### Product Type Features

|                   |                    |
|-------------------|--------------------|
| Shape Description | Circular/Oval      |
| Stud Size         | #10                |
| Barrel Type       | Open Barrel        |
| Sealable          | No                 |
| Insulated         | No                 |
| Wire/Cable Type   | Regular Wire       |
| Support Style     | Insulation Support |

### Configuration Features

|                 |          |
|-----------------|----------|
| Number of Holes | 1        |
| Terminal Angle  | Straight |

### Body Features

|                  |        |
|------------------|--------|
| Inspection Slot  | No     |
| Weight per Piece | .871 g |
| Plating Material | Tin    |

### Contact Features

|                       |       |
|-----------------------|-------|
| Contact Base Material | Brass |
|-----------------------|-------|



|                        |             |
|------------------------|-------------|
| Terminal & Splice Type | Ring Tongue |
|------------------------|-------------|

|                      |          |
|----------------------|----------|
| Terminal Orientation | Straight |
|----------------------|----------|

|                       |        |
|-----------------------|--------|
| Underplating Material | Nickel |
|-----------------------|--------|

### Mechanical Attachment

|                         |      |
|-------------------------|------|
| Wire Insulation Support | With |
|-------------------------|------|

### Dimensions

|  |       |
|--|-------|
|  | .1 in |
|--|-------|

|           |                 |
|-----------|-----------------|
| Wire Size | 1021 – 2582 CMA |
|-----------|-----------------|

|               |                |
|---------------|----------------|
| Stud Diameter | 5 mm [.197 in] |
|---------------|----------------|

|                  |                 |
|------------------|-----------------|
| Tongue Thickness | .76 mm [.03 in] |
|------------------|-----------------|

|                |                   |
|----------------|-------------------|
| Overall Length | 19.81 mm [.78 in] |
|----------------|-------------------|

|                        |                                     |
|------------------------|-------------------------------------|
| Barrel Inside Diameter | 1.77 mm, 2.92 mm [.07 in] [.115 in] |
|------------------------|-------------------------------------|

|                                |                   |
|--------------------------------|-------------------|
| Wire Insulation Diameter (Max) | 3.556 mm [.14 in] |
|--------------------------------|-------------------|

|                          |                              |
|--------------------------|------------------------------|
| Wire Insulation Diameter | 2.54 – 3.56 mm [.1 – .14 in] |
|--------------------------|------------------------------|

### Usage Conditions

|                             |                             |
|-----------------------------|-----------------------------|
| Operating Temperature Range | -40 – 110 °C [-40 – 230 °F] |
|-----------------------------|-----------------------------|

### Operation/Application

|            |    |
|------------|----|
| Heavy Duty | No |
|------------|----|

### Industry Standards

|                      |    |
|----------------------|----|
| Government Qualified | No |
|----------------------|----|

### Packaging Features

|                    |       |
|--------------------|-------|
| Packaging Quantity | 10000 |
|--------------------|-------|

|                  |            |
|------------------|------------|
| Packaging Method | Strip/Reel |
|------------------|------------|

### Product Compliance

[For compliance documentation, visit the product page on TE.com>](#)

|                              |           |
|------------------------------|-----------|
| EU RoHS Directive 2011/65/EU | Compliant |
|------------------------------|-----------|

|                             |           |
|-----------------------------|-----------|
| EU ELV Directive 2000/53/EC | Compliant |
|-----------------------------|-----------|

|   |   |
|---|---|
| China RoHS 2 Directive MIIT Order No 32, 2016 | No Restricted Materials Above Threshold |
|---|---|

|  |  |
|--|--|
| EU REACH Regulation (EC) No. 1907/2006 | Current ECHA Candidate List: JUN 2020 (209)<br>Candidate List Declared Against: JAN 2020 (205) |
|--|--|

Does not contain REACH SVHC

Halogen Content

Low Halogen - Br, Cl, F, I < 900 ppm per homogenous material. Also BFR/CFR/PVC Free

Solder Process Capability

Not applicable for solder process capability

Product Compliance Disclaimer

This information is provided based on reasonable inquiry of our suppliers and represents our current actual knowledge based on the information they provided. This information is subject to change. The part numbers that TE has identified as EU RoHS compliant have a maximum concentration of 0.1% by weight in homogenous materials for lead, hexavalent chromium, mercury, PBB, PBDE, DBP, BBP, DEHP, DIBP, and 0.01% for cadmium, or qualify for an exemption to these limits as defined in the Annexes of Directive 2011/65/EU (RoHS2). Finished electrical and electronic equipment products will be CE marked as required by Directive 2011/65/EU. Components may not be CE marked. Additionally, the part numbers that TE has identified as EU ELV compliant have a maximum concentration of 0.1% by weight in homogenous materials for lead, hexavalent chromium, and mercury, and 0.01% for cadmium, or qualify for an exemption to these limits as defined in the Annexes of Directive 2000/53/EC (ELV). Regarding the REACH Regulation, the information TE provides on SVHC in articles for this part number is based on the latest European Chemicals Agency (ECHA) 'Guidance on requirements for substances in articles' posted at this URL: <https://echa.europa.eu/guidance-documents/guidance-on-reach>

## Compatible Parts



TE Model / Part # 2150470-2  
OCEAN\_2.0\_APPLICATOR-E-130F180FA



TE Model / Part # 2-2150470-1  
OCEAN\_2.0\_APPLICATOR-E-130F180F



TE Model / Part # 2-2150470-2  
OCEAN\_2.0\_APPLICATOR-E-130F180FA



TE Model / Part # 2150470-1  
OCEAN\_2.0\_APPLICATOR-E-130F180F



**KIT**  
REPRESENTATION ONLY

TE Model / Part # 7-2150470-7  
OCEAN\_2.0\_SPARE\_PART\_KIT-130F180F

## Customers Also Bought



TE Model / Part #4-928247-2  
2P ST-TIMER GEH



TE Model / Part #61352-1  
RING .197 (5.0 MM) 10-6 AWG TPBR



TE Model / Part #62811-1  
FASTON .250 FLAG REC 18-14 AWG  
BR



TE Model / Part #4-1123722-5  
3.96 EP PLUG HSG 5P(RED)  
BR



TE Model / Part #521411-1  
ULTRA-POD 250 ASY REC 22-18 AWG  
BR



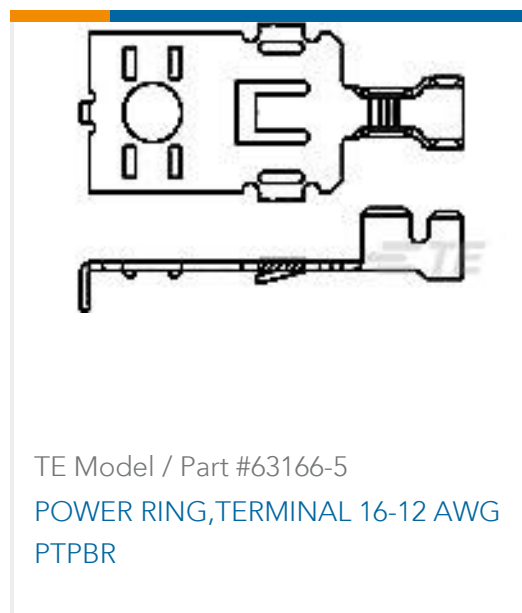
TE Model / Part #1217917-2  
FASTON 250 14-18AWG BR



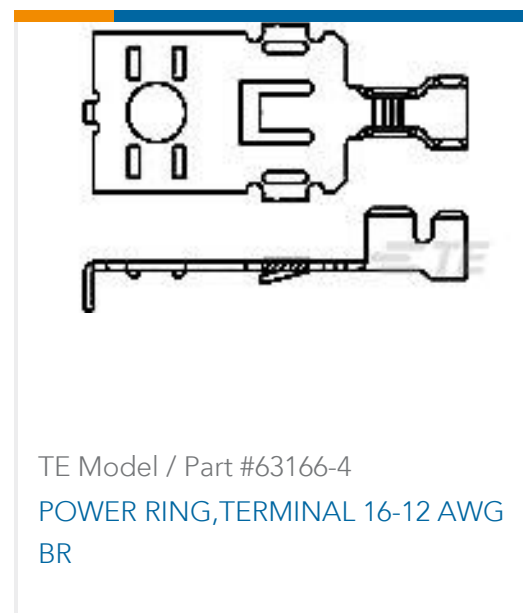
TE Model / Part #770894-6  
06P SL156 HSG W/THRU BD LATCH



TE Model / Part #521085-1  
DRYER .250 HOUSING NYLON 6/6



TE Model / Part #63166-5  
POWER RING, TERMINAL 16-12 AWG  
PTPBR



TE Model / Part #63166-4  
POWER RING, TERMINAL 16-12 AWG  
BR

## Documents

### Product Drawings

[RING 20-16 AWG .0295 X .390 TPBR](#)

English

### CAD Files

[3D PDF](#)

3D

Customer View Model

[ENG\\_CVM\\_CVM\\_40955\\_AB\\_c-40955-ab.2d\\_dxf.zip](#)

English

Customer View Model

[ENG\\_CVM\\_CVM\\_40955\\_AB\\_c-40955-ab.3d\\_igs.zip](#)

English

Customer View Model

[ENG\\_CVM\\_CVM\\_40955\\_AB\\_c-40955-ab.3d\\_stp.zip](#)

English

By downloading the CAD file I accept and agree to the [Terms and Conditions](#) of use.

### Product Specifications



### Engineering Report

English

---

### Product Environmental Compliance

[MD\\_40955\\_060520181210\\_dmtec](#)

English

[MD\\_40955\\_060520181210\\_dmtec](#)

English

---

### Agency Approvals

[UL Report](#)

English