

2-1761713-3 ✓ ACTIVE

AMP-LATCH

TE Internal #: 2-1761713-3

Ribbon Cable Connectors, Wire-to-Board, 10 Position, 2.54mm [.

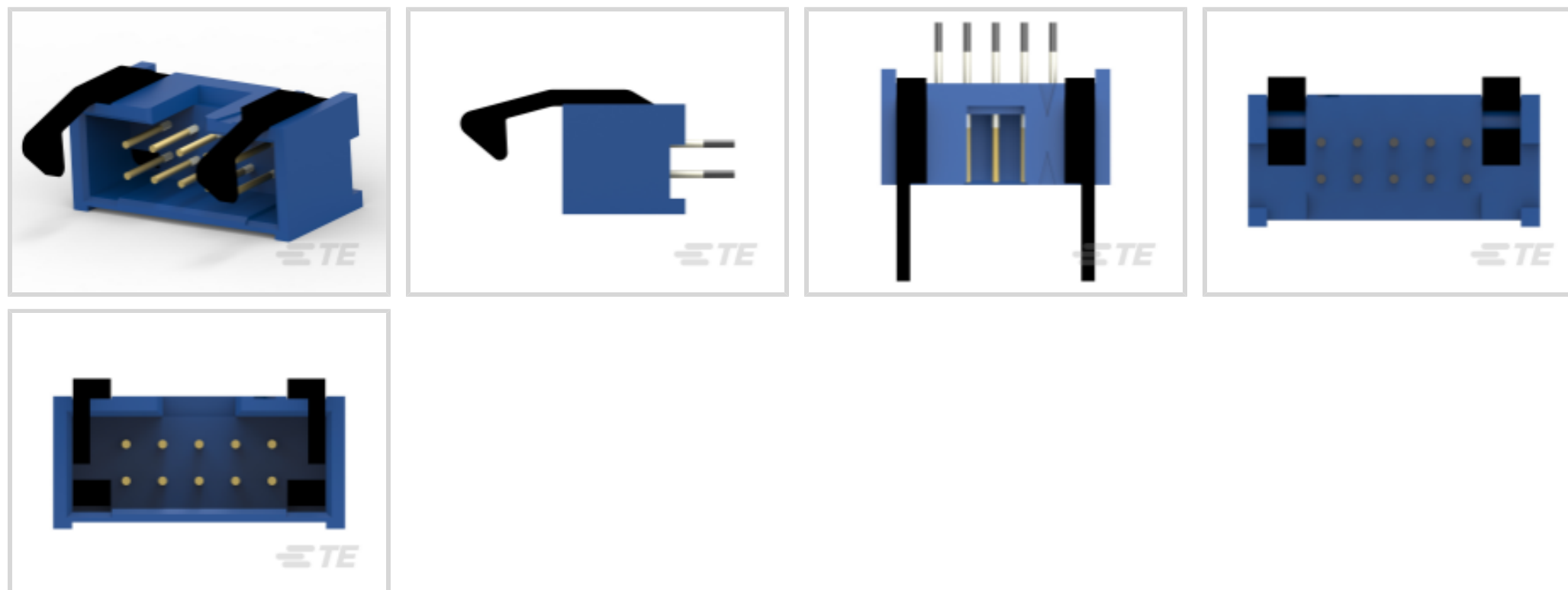
1in] Centerline, Vertical, Through Hole - Solder, Row-to-Row

Spacing 2.54 mm [.1 in]

[View on TE.com >](#)



Connectors > PCB Connectors > Wire-to-Board Connectors > FFC, FPC & Ribbon Connectors > Ribbon Cable Connectors



Connector System: **Wire-to-Board**

Number of Positions: **10**

Centerline (Pitch): **2.54 mm [.1 in]**

PCB Mount Retention: **Without**

PCB Mount Orientation: **Vertical**

Features

Product Type Features

Connector Type	Header
Ribbon Cable Connector Header Type	Pin Header
Connector Mating Latch & Lock Type	Short
Connector Product Type	Connector Assembly
Connector System	Wire-to-Board
Connector & Housing Type	Plug
Connector & Contact Terminates To	Printed Circuit Board

Configuration Features

Number of Positions	10
PCB Mount Orientation	Vertical
Number of Rows	2

Body Features

Connector Profile	Low
-------------------	-----

Contact Features



Mating Square Post Dimension	.64 mm[.025 in]
PCB Contact Termination Area Plating Material Thickness	2.54 μ m[100 μ in]
Contact Type	Pin
Contact Mating Area Plating Material Thickness	.762 μ m[30 μ in]
Contact Mating Area Plating Material	Gold Flash
Contact Shape & Form	Square
Contact Underplating Material	Nickel
PCB Contact Termination Area Plating Material	Tin
Contact Base Material	Phosphor Bronze

Termination Features

Round Termination Post & Tail Diameter	.64 mm[.025 in]
Termination Post & Tail Length	4.11 mm[.162 in]
Termination Method to Printed Circuit Board	Through Hole - Solder

Mechanical Attachment

Mating Alignment	With
PCB Mount Alignment	Without
Panel Mount Feature	Without
PCB Mount Retention	Without
Mating Alignment Type	Center
Mating Retention	With
Mating Retention Type	Ejection Latch
Connector Mounting Type	Board Mount

Housing Features

Mating Entry Location	Top
Housing Material	PBT
Housing Color	Blue
Centerline (Pitch)	2.54 mm[.1 in]

Dimensions

Shrouded End Dimension	3.76 mm[.148 in]
Connector Length	20.32 mm[.8 in]
Connector Height	10.26 mm[.4 in]
Row-to-Row Spacing	2.54 mm[.1 in]



Usage Conditions

Housing Temperature Rating	High
----------------------------	------

Operation/Application

Circuit Application	Signal
---------------------	--------

Industry Standards

UL Flammability Rating	UL 94V-0
------------------------	----------

Packaging Features

Packaging Quantity	50
Packaging Method	Package

Other

Comment	For Use With AMP-Latch Receptacle
---------	-----------------------------------

Product Compliance

[For compliance documentation, visit the product page on TE.com>](#)

EU RoHS Directive 2011/65/EU	Compliant
EU ELV Directive 2000/53/EC	Compliant
China RoHS 2 Directive MIIT Order No 32, 2016	No Restricted Materials Above Threshold
EU REACH Regulation (EC) No. 1907/2006	Current ECHA Candidate List: JUN 2020 (209) Candidate List Declared Against: JAN 2020 (205) Does not contain REACH SVHC
Halogen Content	Not Low Halogen - contains Br or Cl > 900 ppm.
Solder Process Capability	Wave solder capable to 265°C

Product Compliance Disclaimer

This information is provided based on reasonable inquiry of our suppliers and represents our current actual knowledge based on the information they provided. This information is subject to change. The part numbers that TE has identified as EU RoHS compliant have a maximum concentration of 0.1% by weight in homogenous materials for lead, hexavalent chromium, mercury, PBB, PBDE, DBP, BBP, DEHP, DIBP, and 0.01% for cadmium, or qualify for an exemption to these limits as defined in the Annexes of Directive 2011/65/EU (RoHS2). Finished electrical and electronic equipment products will be CE marked as required by Directive 2011/65/EU. Components may not be CE marked. Additionally, the part numbers that TE has identified as EU ELV compliant have a maximum concentration of 0.1% by weight in homogenous materials for lead, hexavalent chromium, and mercury, and 0.01% for cadmium, or qualify for an exemption to these limits as defined in the Annexes of Directive 2000/53/EC (ELV). Regarding the REACH Regulation, the information TE provides on SVHC in articles for this part number is based on the latest European Chemicals Agency (ECHA) 'Guidance on requirements for substances in articles' posted at this URL: <https://echa.europa.eu/guidance-documents/guidance-on-reach>

Compatible Parts



TE Model / Part # 1-1658528-1
636-1030LF=FEM SKT BLADE POL 1



TE Model / Part # 1658526-4
609-1030LF FEM SOCKET, LEAD FREE



TE Model / Part # 1658527-3
622-1030LF FEM SOCKET, LEAD FREE



TE Model / Part # 1658620-1
10 NOVO MIL 15DP, LEAD FREE



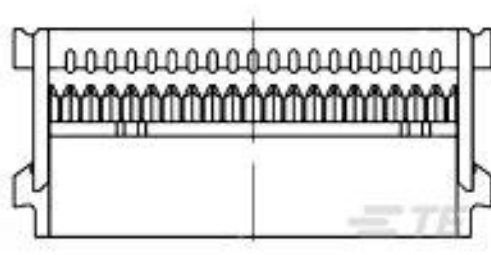
TE Model / Part # 1658623-1
10 NOVO MIL 30DP, LEAD FREE



TE Model / Part # 1658622-1
10 NOVO MIL/CTR 30DP, LEAD FREE



TE Model / Part # 1658621-1
10 NOVO MIL/CTR 15DP, LEAD FREE




TE Model / Part # 1658526-3
609-1000MLF FEM SCKT, LEAD FREE

Customers Also Bought



TE Model / Part #2040002-1
MICRO USB, TYPE B



TE Model / Part #2007254-1
SFP+ 1x1 Cage Assembly, Light Pipe



TE Model / Part #2-1761713-7
IDC LOW PRO HDR 20P VERT SHT L



TE Model / Part #2-1761711-3
IDC LOW PRO HDR 10P VERT LG LA



TE Model / Part #194010-1
PIN ASSY..070



TE Model / Part #4-794682-0
10P MICRO MNL ASSY,VRT,THRU,LF



TE Model / Part #1747786-1
PACKING, REC. ASSY. 8POS. 2MM PITCH BATTE



TE Model / Part #5-104074-2
05 SYSTEM 50 HDR SRRA SHRD SN



TE Model / Part #5-104069-4
10 sys 50 hdr drra shrd sn



Documents

Product Drawings

[IDC LOW PRO HDR 10P VERT SHT L](#)

English

CAD Files

[3D PDF](#)

3D

Customer View Model

[ENG_CVM_CVM_2-1761713-3_C.2d_dxf.zip](#)

English

Customer View Model

[ENG_CVM_CVM_2-1761713-3_C.3d_igs.zip](#)

English

Customer View Model

[ENG_CVM_CVM_2-1761713-3_C.3d_stp.zip](#)

English

By downloading the CAD file I accept and agree to the [Terms and Conditions](#) of use.

Product Environmental Compliance

[Product Compliance](#)

English

[Product Compliance](#)

English

Agency Approvals

[UL Report](#)

English