

1-480351-2 ✓ ACTIVE

MATE-N-LOK | Commercial MATE-N-LOK

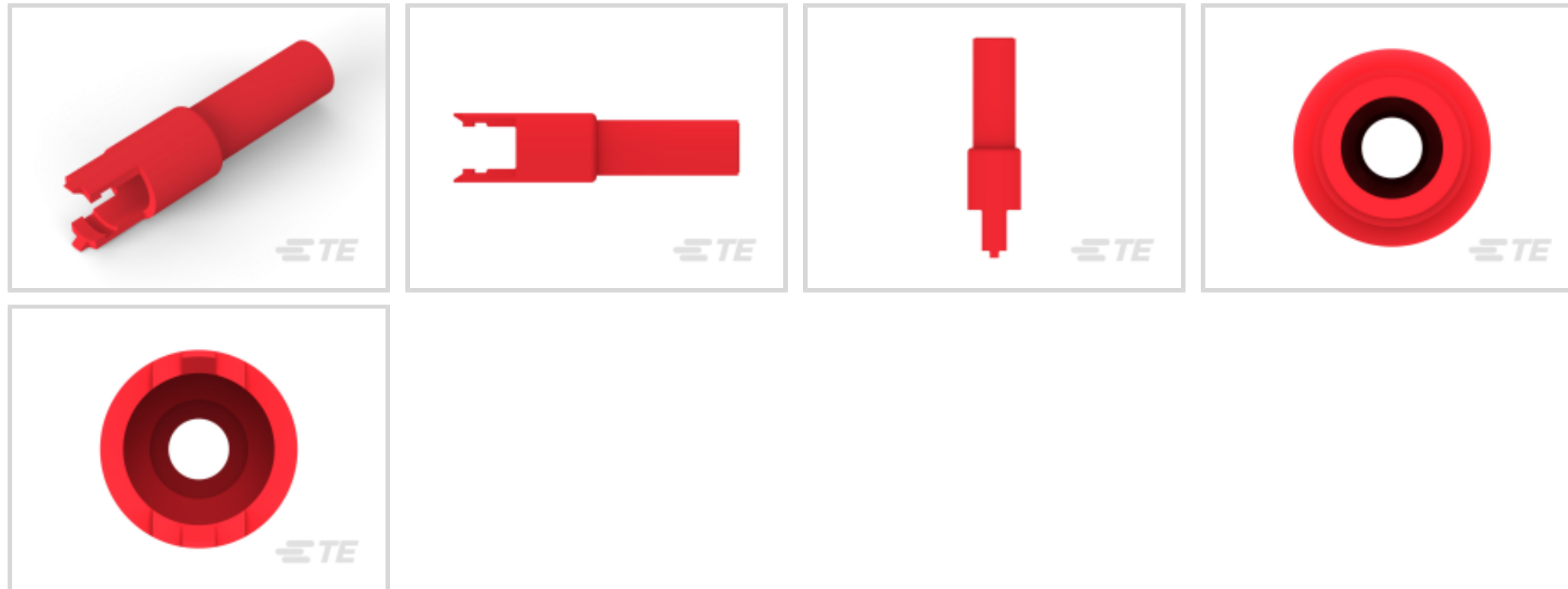
TE Internal #: 1-480351-2

Commercial MATE-N-LOK, Rectangular Power Connectors, Housing, Receptacle, Wire-to-Wire, 1 Position, Wire & Cable, UL 94V-2

[View on TE.com >](#)



Connectors > Power Connectors > Rectangular Power > Rectangular Power Connectors



Rectangular Power Connector Type: **Housing**

Connector & Housing Type: **Receptacle**

Connector System: **Wire-to-Wire**

Number of Positions: **1**

Sealable: **No**

Features

Product Type Features

Rectangular Power Connector Type	Housing
Connector & Housing Type	Receptacle
Connector System	Wire-to-Wire
Sealable	No
Connector & Contact Terminates To	Wire & Cable

Configuration Features

Number of Positions	1
---------------------	---

Electrical Characteristics

Operating Voltage	250 VAC
-------------------	---------

Contact Features

Contact Retention Within Housing	Without
Contact Type	Pin

Termination Features

--	--



Termination Method to Wire & Cable	Crimp
------------------------------------	-------

Mechanical Attachment

Panel Mount Feature	Without
---------------------	---------

Connector Mounting Type	Cable Mount (Free-Hanging)
-------------------------	----------------------------

Housing Features

Housing Color	Red
---------------	-----

Housing Material	Nylon
------------------	-------

Usage Conditions

Operating Temperature Range	-55 – 105 °C[-67 – 221 °F]
-----------------------------	----------------------------

Operation/Application

Circuit Application	Power & Signal
---------------------	----------------

Identification Marking

Circuit Identification Feature	Without
--------------------------------	---------

Industry Standards

UL Flammability Rating	UL 94V-2
------------------------	----------

Glow Wire Rating	Standard Part - Not Glow Wire
------------------	-------------------------------

UL Rating	Certified, Recognized
-----------	-----------------------

Agency/Standard Number	E28476
------------------------	--------

CSA File Number	LR16455
-----------------	---------

VDE Tested	No
------------	----

Agency/Standard	CSA, UL
-----------------	---------

Packaging Features

Packaging Method	Package
------------------	---------

Packaging Quantity	1
--------------------	---

Other

For Use With	Socket (Plug) Housing
--------------	-----------------------

Product Compliance

[For compliance documentation, visit the product page on TE.com>](#)

EU RoHS Directive 2011/65/EU	Compliant
------------------------------	-----------

EU ELV Directive 2000/53/EC	Compliant
-----------------------------	-----------

China RoHS 2 Directive MIIT Order No 32, 2016	No Restricted Materials Above Threshold
-----------------------------------------------	-----------------------------------------



EU REACH Regulation (EC) No. 1907/2006

Current ECHA Candidate List: JUN 2020 (209)

Candidate List Declared Against: JAN 2020 (205)

Does not contain REACH SVHC

Halogen Content

Low Halogen - Br, Cl, F, I < 900 ppm per homogenous material. Also BFR/CFR/PVC Free

Solder Process Capability

Not applicable for solder process capability

Product Compliance Disclaimer

This information is provided based on reasonable inquiry of our suppliers and represents our current actual knowledge based on the information they provided. This information is subject to change. The part numbers that TE has identified as EU RoHS compliant have a maximum concentration of 0.1% by weight in homogenous materials for lead, hexavalent chromium, mercury, PBB, PBDE, DBP, BBP, DEHP, DIBP, and 0.01% for cadmium, or qualify for an exemption to these limits as defined in the Annexes of Directive 2011/65/EU (RoHS2). Finished electrical and electronic equipment products will be CE marked as required by Directive 2011/65/EU. Components may not be CE marked. Additionally, the part numbers that TE has identified as EU ELV compliant have a maximum concentration of 0.1% by weight in homogenous materials for lead, hexavalent chromium, and mercury, and 0.01% for cadmium, or qualify for an exemption to these limits as defined in the Annexes of Directive 2000/53/EC (ELV). Regarding the REACH Regulation, the information TE provides on SVHC in articles for this part number is based on the latest European Chemicals Agency (ECHA) 'Guidance on requirements for substances in articles' posted at this URL: <https://echa.europa.eu/guidance-documents/guidance-on-reach>

Compatible Parts



TE Model / Part # 1-480349-2
01P CMNL PLUG HSG F/H RED



TE Model / Part # 61118-5
CMNL PIN 20-14 AUNIBR



TE Model / Part # 61527-2
CMNL GROUDING PIN 22-18 PTPBR



TE Model / Part # 61117-7
CMNL SOK 20-14 AUBR



TE Model / Part # 61173-5
CMNL SOK 30-22 AUNIBR L/P



TE Model / Part # 61174-5
CMNL PIN L/P AUNIBR



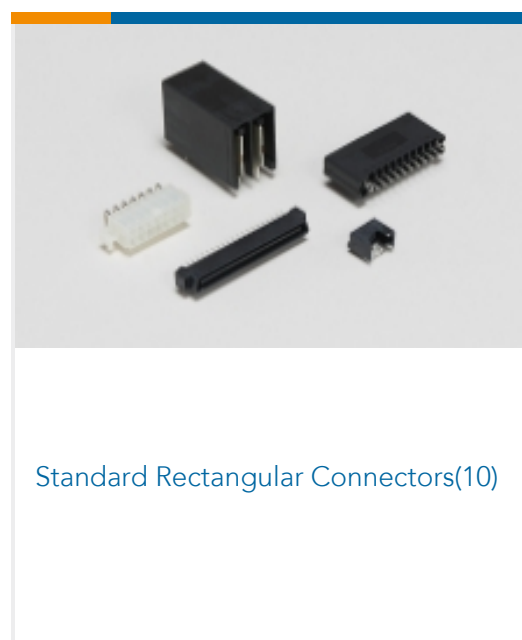
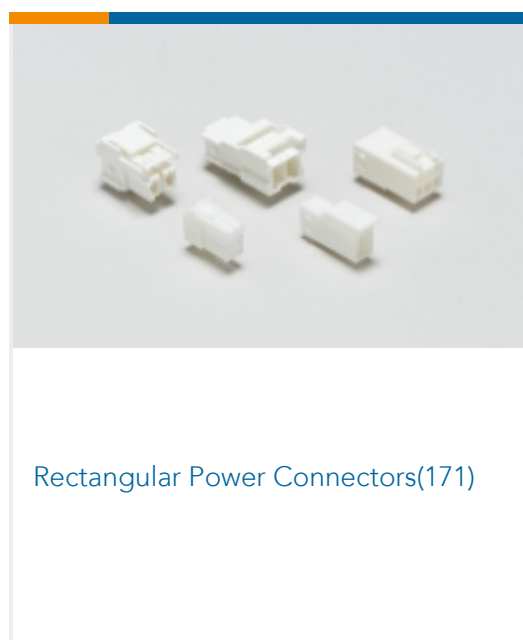
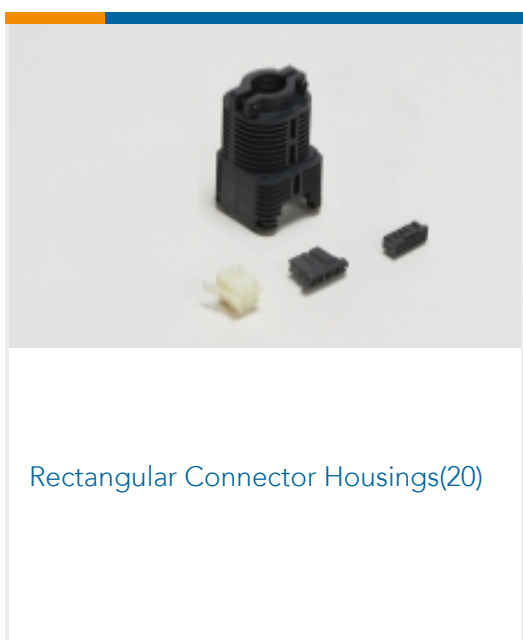
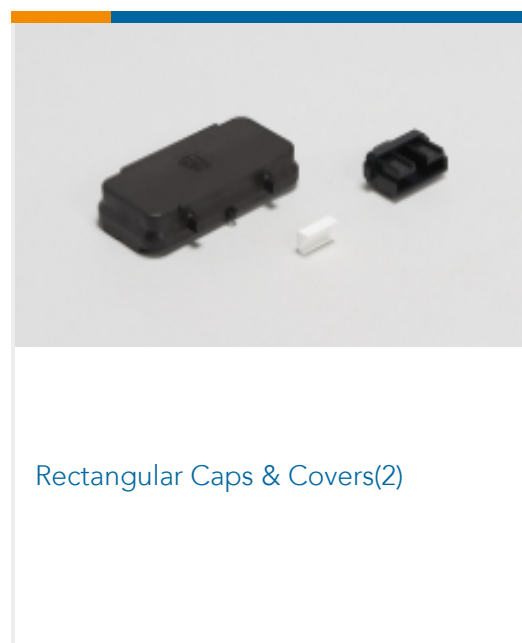
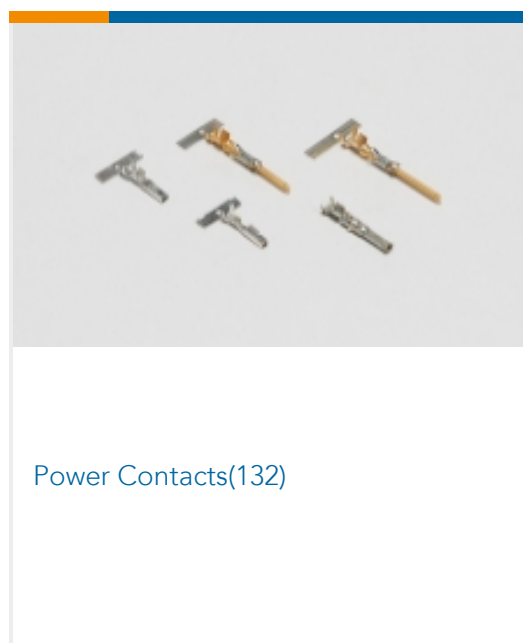
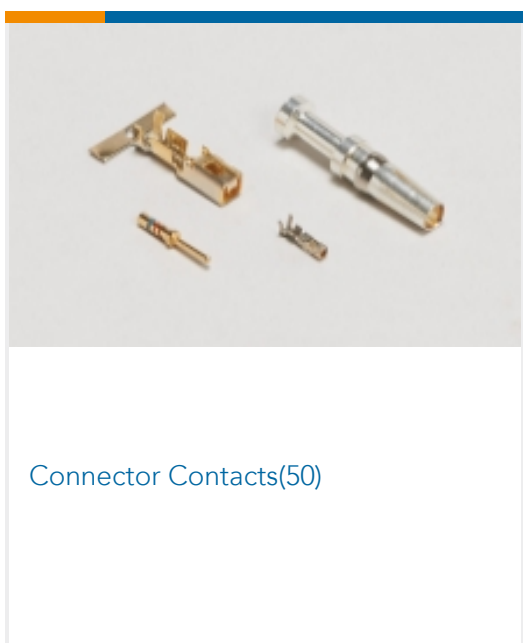
TE Model / Part # 61366-1
AUTO MNL PIN PTPBR



TE Model / Part # 61314-6
CMNL SOK S/F 24-18 .0125AUPHBZ



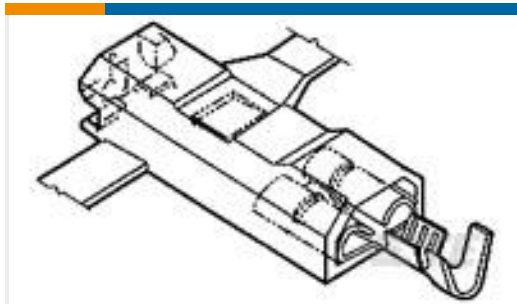
Also in the Series | Commercial MATE-N-LOK



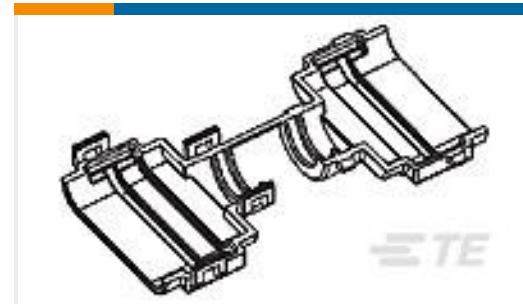


Wire-to-Board Connector Contacts(1)

Customers Also Bought



TE Model / Part #521838-2
ULTRA-POD 187 ASSY REC 20-16
AWG PTPB



TE Model / Part #936113-1
2.8mm Sealed 5P Cover



TE Model / Part #644590-1
08P DUAL ROW R/A SHRD HDR SPCL



TE Model / Part #1-1473898-2
025 12 POS CAP ASSY V, 8 CKT



TE Model / Part #1-2005159-1
BULB ASSY FOR T20/T1 NEW NA

Documents

Product Drawings

01P CMNL CAP HSG RED

English

CAD Files

3D PDF

3D

3D PDF

English

Customer View Model

[ENG_CVM_1-480351-2_H1.2d_dxf.zip](#)

English

Customer View Model

[ENG_CVM_1-480351-2_H1.3d_igs.zip](#)

English

Customer View Model

[ENG_CVM_1-480351-2_H1.3d_stp.zip](#)



English

Customer View Model

[ENG_CVM_CVM_1-480351-2_BH.2d_dxf.zip](#)

English

Customer View Model

[ENG_CVM_CVM_1-480351-2_BH.3d_igs.zip](#)

English

Customer View Model

[ENG_CVM_CVM_1-480351-2_BH.3d_stp.zip](#)

English

By downloading the CAD file I accept and agree to the [Terms and Conditions](#) of use.

Datasheets & Catalog Pages

[SOFT_SHELL_PIN_SOCKET_CONNECTORS_STANDARD_DENSITY](#)

English

Product Specifications

[Application Specification](#)

English

Product Environmental Compliance

[TE Material Declaration](#)

English

Instruction Sheets

[Instruction Sheet \(U.S.\)](#)

English

[Instruction Sheet \(U.S.\)](#)

English

Agency Approvals

[Agency Approval Document](#)

English