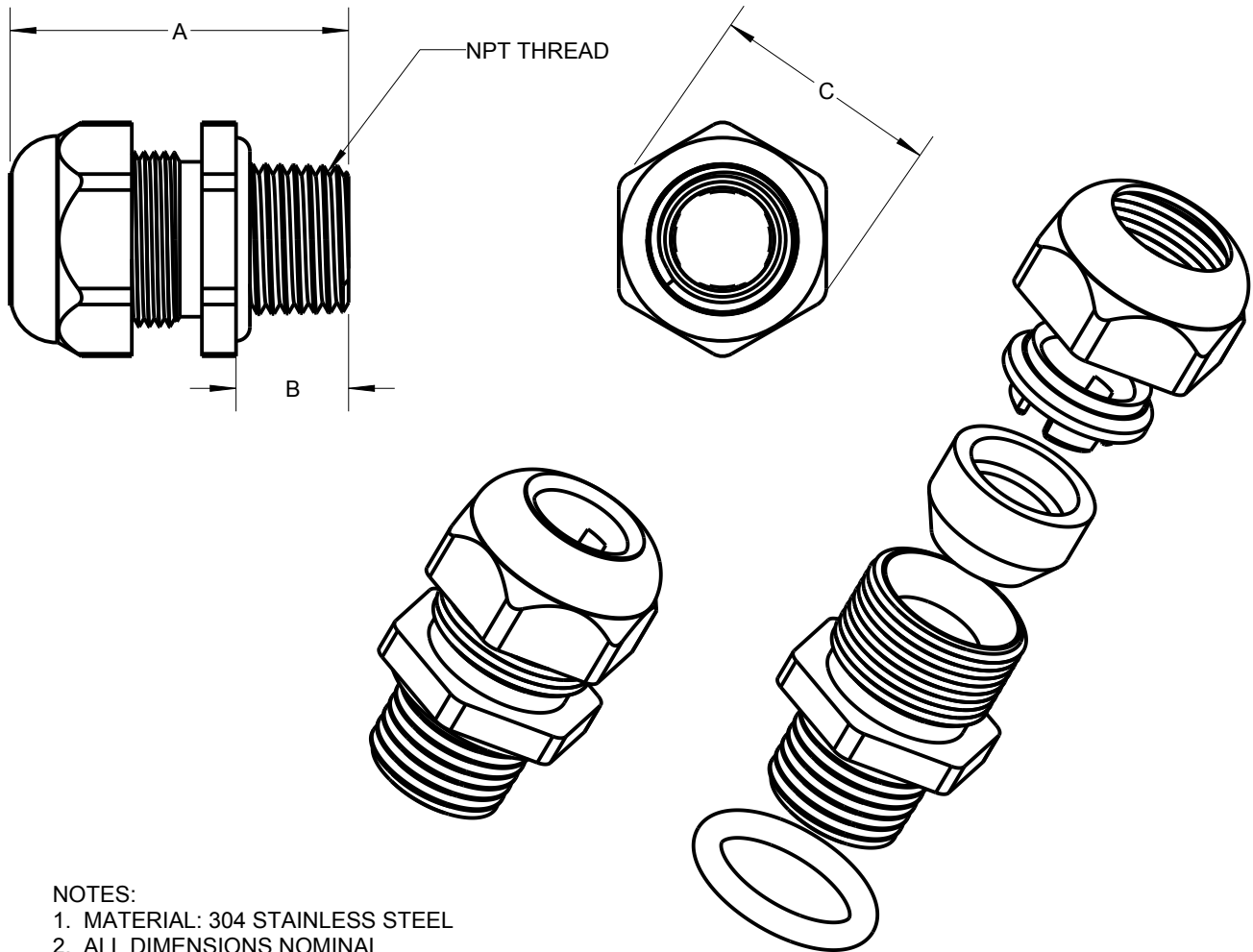




T&B Portable Cord Fittings

**NOTES:**

1. MATERIAL: 304 STAINLESS STEEL
2. ALL DIMENSIONS NOMINAL
3. UL/CSA LISTED PORTABLE CORD ONLY

2942SST	1" NPT STAINLESS STEEL CORD CONN	2.218" (56.3)	.785" (19.9)	1.500" (38.1)	.700"-.950"
2941SST	1" NPT STAINLESS STEEL CORD CONN	2.218" (56.3)	.785" (19.9)	1.500" (38.1)	.500"-.750"
2940SST	1" NPT STAINLESS STEEL CORD CONN	2.178" (55.3)	.785" (19.9)	1.500" (38.1)	.310"-.560"
2932SST	3/4" NPT STAINLESS STEEL CORD CONN	2.063" (52.4)	.630" (16.0)	1.125" (28.6)	.500"-.750"
2931SST	3/4" NPT STAINLESS STEEL CORD CONN	2.063" (52.4)	.630" (16.0)	1.125" (28.6)	.310"-.560"
2930SST	3/4" NPT STAINLESS STEEL CORD CONN	2.063" (52.4)	.630" (16.0)	1.125" (28.6)	.125"-.375"
2922SST	1/2" NPT STAINLESS STEEL CORD CONN	2.003" (50.9)	.610" (14.9)	1.125" (28.6)	.500"-.750"
2921SST	1/2" NPT STAINLESS STEEL CORD CONN	1.935" (49.2)	.610" (14.9)	1.125" (28.6)	.360"-.560"
2920SST	1/2" NPT STAINLESS STEEL CORD CONN	1.935" (49.2)	.610" (14.9)	1.125" (28.6)	.125"-.375"
CAT #	DESCRIPTION	"A" DIM (MAX)	"B" DIM	"C" DIM	CORD RANGE

GENERAL NOTES

1. ALL DIMENSIONS ARE FOR REFERENCE ONLY.
2. DIMENSIONS IN BRACKETS [] ARE IN METRIC UNITS.

www.tnb.com

Thomas & Betts

A Member of the ABB Group

DESCRIPTION:

**STAINLESS STEEL
RANGER CORD CONNECTORS****REVISIONS**

- | | |
|---|--|
| 1 | SEE ERN (2018074) FOR APPROVAL SIGNATURES & RELEASE DATE.
PROJECT NO: RD55582 |
|---|--|

ORIGINAL PROJECT NO / (ERN NO)

RD55582 / (2007992)

SHEET NO:

1 OF 1

REV. NO:

1

DRAWING NO:

WSD-000335