

60598-3 ✓ ACTIVE

AMP-IN

TE Internal #: 60598-3

PCB Terminals, Receptacle, Receptacle, PCB Hole Diameter 3.68 mm [.145 in], PCB Terminal Mating Pin Diameter .058 in [1.47 mm]

[View on TE.com >](#)



Terminals & Splices > PCB Terminals



Terminal & Splice Type: **Receptacle**

PCB Terminal Terminal Type: **Receptacle**

PCB Hole Diameter: **3.68 mm [.145 in]**

PCB Terminal Mating Pin Diameter: **1.47 mm [.058 in]**

PCB Terminal Wire Insulation Diameter (Max): **1.78 mm [.07 in]**

Features

Product Type Features

PCB Terminal Mounting Style	Stud Mount
Terminates To	Wire & Cable

Configuration Features

Stud Hole	No
Terminal Angle	Straight

Body Features

PCB Terminal Plating Material	Pre-Tin
-------------------------------	---------

Contact Features

Contact Plating Material	Tin
Terminal & Splice Type	Receptacle
PCB Terminal Terminal Type	Receptacle
PCB Terminal Mating Pin Diameter	1.47 mm[.058 in]
PCB Terminal Terminal Orientation	Straight

Termination Features



PCB Terminal Termination Method	Crimp
---------------------------------	-------

Mechanical Attachment

Wire Insulation Support	With
-------------------------	------

Dimensions

PCB Hole Diameter	3.68 mm [.145 in]
PCB Terminal Wire Insulation Diameter (Max)	1.78 mm [.07 in]
Accepts Wire Insulation Diameter Range	1.14 – 1.78 mm [.045 – .07 in]
Wire Size	.2 – .6 mm ²
Receptacle Terminal Stock Thickness	.25 mm [.01 in]

Usage Conditions

Operating Temperature Range	-55 – 105 °C [-67 – 221 °F]
-----------------------------	-----------------------------

Packaging Features

Packaging Quantity	15000
PCB Terminal Packaging Method	Reel

Other

Comment	Machine applied applicator required.
---------	--------------------------------------

Product Compliance

[For compliance documentation, visit the product page on TE.com>](#)

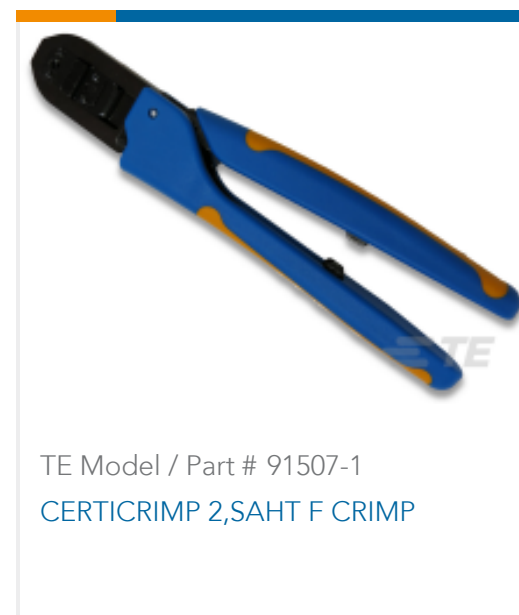
EU RoHS Directive 2011/65/EU	Compliant
EU ELV Directive 2000/53/EC	Compliant
China RoHS 2 Directive MIIT Order No 32, 2016	No Restricted Materials Above Threshold
EU REACH Regulation (EC) No. 1907/2006	Current ECHA Candidate List: JUN 2020 (209) Candidate List Declared Against: JAN 2020 (205) Does not contain REACH SVHC
Halogen Content	Low Halogen - Br, Cl, F, I < 900 ppm per homogenous material. Also BFR/CFR/PVC Free
Solder Process Capability	Not applicable for solder process capability

Product Compliance Disclaimer

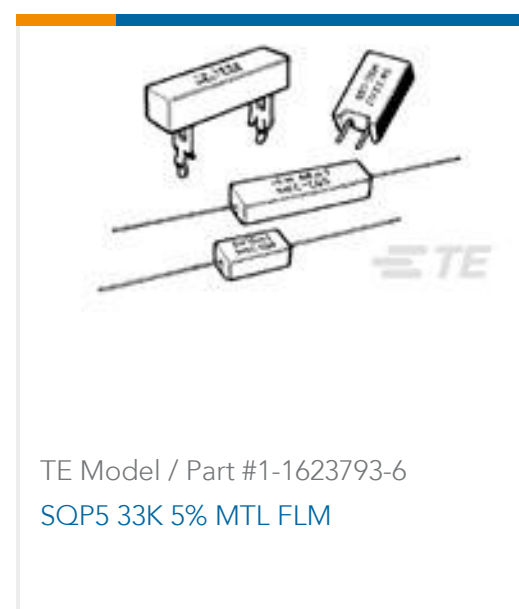
This information is provided based on reasonable inquiry of our suppliers and represents our current actual knowledge based on the information they provided. This information is subject to change. The part numbers that TE has identified as EU RoHS compliant have a maximum concentration of 0.1% by weight in homogenous materials for lead, hexavalent chromium, mercury, PBB, PBDE, DBP, BBP, DEHP, DIBP, and 0.01% for cadmium, or qualify for an exemption to these

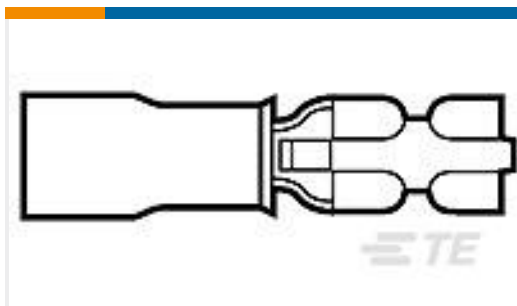
limits as defined in the Annexes of Directive 2011/65/EU (RoHS2). Finished electrical and electronic equipment products will be CE marked as required by Directive 2011/65/EU. Components may not be CE marked. Additionally, the part numbers that TE has identified as EU ELV compliant have a maximum concentration of 0.1% by weight in homogenous materials for lead, hexavalent chromium, and mercury, and 0.01% for cadmium, or qualify for an exemption to these limits as defined in the Annexes of Directive 2000/53/EC (ELV). Regarding the REACH Regulation, the information TE provides on SVHC in articles for this part number is based on the latest European Chemicals Agency (ECHA) 'Guidance on requirements for substances in articles' posted at this URL: <https://echa.europa.eu/guidance-documents/guidance-on-reach>

Compatible Parts



Customers Also Bought





TE Model / Part #640929-2
RECEPT,PIDG FASTON 16-14 110



TE Model / Part #60598-4
058 PIN REC IS 22-20 010TPBECU



TE Model / Part #2-324165-1
TERMINAL,PG SPD FLG 16-14 6



TE Model / Part #63837-1
FASTON .110 RECEPTACLE 26-22
AWG TPBR



TE Model / Part #61513-2
058 PC PIN REC 010TPPHBZ

Documents

Product Drawings

[058PIN REC IS 22-20 010TPPHBZ](#)

English

CAD Files

[3D PDF](#)

3D

Customer View Model

[ENG_CVM_60598-3_AH.3d_igs.zip](#)

English

Customer View Model

[ENG_CVM_60598-3_AH.3d_stp.zip](#)

English

Customer View Model

[ENG_CVM_60598-3_AH.2d_dxf.zip](#)

English

[3D PDF](#)

English

Customer View Model

[ENG_CVM_CVM_60598-3_BA.2d_dxf.zip](#)

English

Customer View Model

[ENG_CVM_CVM_60598-3_BA.3d_igs.zip](#)

English

Customer View Model

[ENG_CVM_CVM_60598-3_BA.3d_stp.zip](#)

English



By downloading the CAD file I accept and agree to the [Terms and Conditions](#) of use.

Datasheets & Catalog Pages

PRINTED CIRCUIT BOARD TERMINALS AND DISCONNECTS

English

Product Specifications

Application Specification

English

Product Environmental Compliance

TE Material Declaration

English