



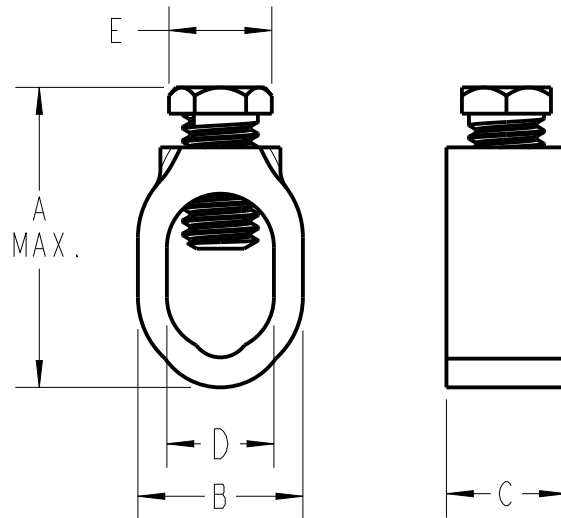
# Blackburn®



## GROUND ROD CLAMPS



TYPE G



CAT. NO.	NOMINAL ROD DIA.		WIRE RANGE				DIMENSIONS (IN.)					
	IN.	(MM)	MAX.	MIN.	MAX. (MM <sup>2</sup> )	MIN. (MM <sup>2</sup> )	A (MAX.) BOLT	SCREW THREAD SIZE UNC-2A	B (MAX.)	C (MAX.)	D (MAX.)	E (MAX.)
*⊕ G3	3/8	9.5	4 STR.	10 SOL.	21.1	5.2	1-7/16	5/16-18	11/16	1/2	27/64	3/8
G4	1/2	12.7	2 STR.	10 SOL.	33.6	5.2	2	3/8-16	27/32	19/32	37/64	1/2
G5	5/8	15.8	2 STR.	10 SOL.	33.6	5.2	2-1/8	3/8-16	29/32	19/32	43/64	1/2
G6	3/4	19.0	2 STR.	10 SOL.	33.6	5.2	2-3/16	3/8-16	1-1/16	21/32	13/16	1/2

- HIGH-STRENGTH CORROSION-RESISTANT COPPER ALLOY CASTING
- FURNISHED WITH HEX HEAD BOLTS
- SIMPLIFIED, COMPACT DESIGN MAKES LASTING, TROUBLE-FREE CONNECTION
- UL LISTED FOR DIRECT BURIAL INSTALLATION

### NOTES:

\* NOT UL LISTED

≡ RUS LISTED

⊕ NOT CSA LISTED

ADD SUFFIX P TO CAT No. FOR TIN-PLATED CLAMP  
G5 IS NOT CSA LISTED FOR REBAR # 4

### GENERAL NOTES

1. ALL DIMENSIONS ARE FOR REFERENCE ONLY.
2. DIMENSIONS IN BRACKETS [ ] ARE IN METRIC UNITS.

[www.tnb.com](http://www.tnb.com)

## Thomas & Betts

A Member of the ABB Group

DESCRIPTION:

## GROUND ROD CLAMPS

### REVISIONS

3. SEE ERN ( 2018345 ) FOR APPROVAL SIGNATURES & RELEASE DATE.  
PROJECT NO: 014V001169

ORIGINAL PROJECT NO / ( ERN NO )

SHEET NO:

REV. NO:

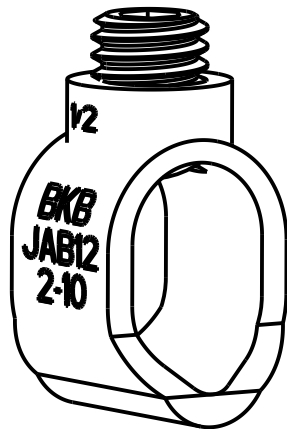
DRAWING NO:

BC55835 / ( 2010404 )

1 OF 2

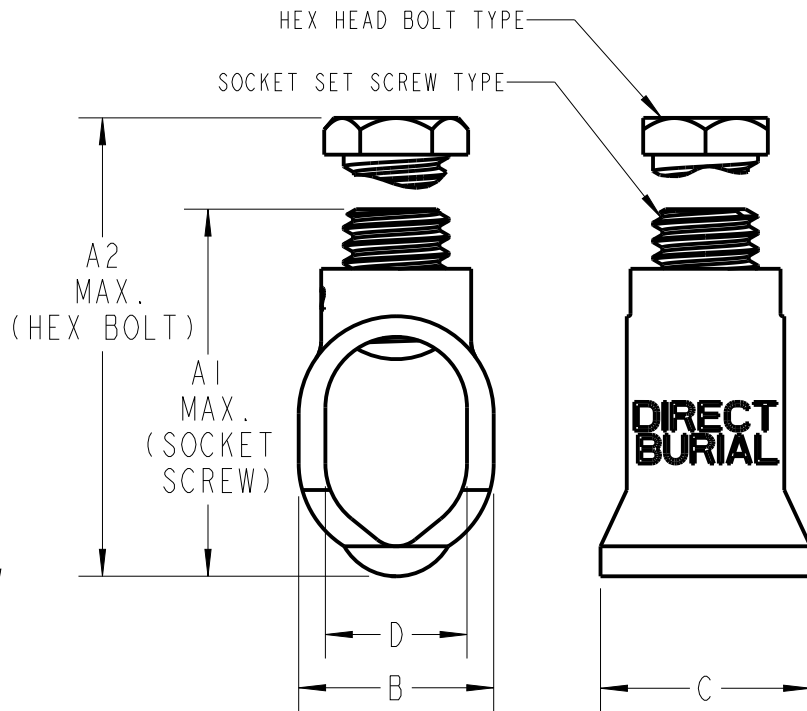
3

WSD-000478



**TYPES JAB and JABH**

(SOCKET SET SCREW TYPE SHOWN)



CAT. NO.		NOMINAL ROD DIA.		WIRE RANGE				DIMENSION (IN.)					
SOCKET SET SCREW	HEX HEAD BOLT	IN.	(MM)	MAX.	MIN.	MAX. (MM <sup>2</sup> )	MIN. (MM <sup>2</sup> )	A1 (MAX.) SOC. SCREW	A2 (MAX.) HEX BOLT	SCREW THREAD SIZE UNC-2A	B (MAX.)	C (MAX.)	D (MAX.)
JAB12	JAB12H	1/2	12.7	2 STR.	10 SOL.	33.6	5.2	1-5/8	2-3/32	7/16-14	27/32	15/16	5/8
JAB58	JAB58H	5/8	15.8	1/0 STR.	8 SOL.	53.4	8.3	1-27/32	2-1/4	7/16-14	15/16	1-1/16	11/16
JAB34	JAB34H	3/4	19.0	1/0 STR.	8 SOL.	53.4	8.3	1-7/8	2-5/16	7/16-14	1-1/16	1-1/16	13/16
—	JAB34C	5/8 3/4	15.8 19.0	3/0 STR.	8 SOL.	95.0	8.3	—	1-3/8	7/16-14	1-1/8	1-1/16	13/16
⊕ JAB1	JAB1H	1	25.0	4/0 STR.	8 SOL.	107.1	8.3	2-7/16	3	7/16-14	1-3/8	1-1/8	1

- HIGH-STRENGTH CORROSION-RESISTANT COPPER ALLOY CASTING
- SOCKET SET SCREW OR HEX HEAD BOLTS TYPES AVAILABLE
- UL LISTED FOR DIRECT BURIAL INSTALLATION
- CSA CERTIFIED

NOTES:

\* NOT UL LISTED

≡ RUS LISTED

⊕ NOT CSA LISTED

ADD SUFFIX P TO CAT No. FOR TIN-PLATED CLAMP

G5 IS NOT CSA LISTED FOR REBAR # 4

**Thomas & Betts**  
A Member of the ABB Group

www.tnb.com

DESCRIPTION: **Ground Clamps**

SHEET NO: 2 OF 2	REV. NO: 3	DRAWING NO: WSD-000478
---------------------	---------------	---------------------------