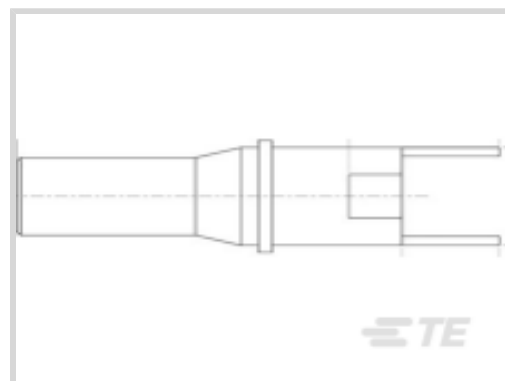




Connectors > Circular Connectors > Circular Connector Accessories > Circular Connector Boots & Strain Relief



Protection & Strain Relief Accessory Type: **Plug**

Connector System: **Cable-to-Board**

Number of Positions: **1**

Sealable: **No**

Connector & Contact Terminates To: **Printed Circuit Board**

## Features

### Product Type Features

Protection & Strain Relief Accessory Type	Plug
Connector System	Cable-to-Board
Sealable	No
Connector & Contact Terminates To	Printed Circuit Board

### Configuration Features

Number of Positions	1
---------------------	---

### Mechanical Attachment

Connector Mounting Type	Board Mount
-------------------------	-------------

### Usage Conditions

Operating Temperature Range	-65 – 125 °C[-85 – 257 °F]
-----------------------------	----------------------------

## Product Compliance

[For compliance documentation, visit the product page on TE.com>](#)

EU RoHS Directive 2011/65/EU	Compliant with Exemptions
EU ELV Directive 2000/53/EC	Compliant with Exemptions
China RoHS 2 Directive MIIT Order No 32, 2016	Restricted Materials Above Threshold
EU REACH Regulation (EC) No. 1907/2006	Current ECHA Candidate List: JUN 2020 (209) Candidate List Declared Against: JAN 2020 (205)



Pb (3.7% in Component Part)

**Article Safe Usage Statements:**  
Do not eat, drink or smoke when using this product. Wash thoroughly after handling. Recycle if possible and dispose of the article by following all applicable governmental regulations relevant to your geographic location.

Halogen Content

Low Halogen - Br, Cl, F, I < 900 ppm per homogenous material. Also BFR/CFR/PVC Free

Solder Process Capability

Wave solder capable to 240°C

Product Compliance Disclaimer

This information is provided based on reasonable inquiry of our suppliers and represents our current actual knowledge based on the information they provided. This information is subject to change. The part numbers that TE has identified as EU RoHS compliant have a maximum concentration of 0.1% by weight in homogenous materials for lead, hexavalent chromium, mercury, PBB, PBDE, DBP, BBP, DEHP, DIBP, and 0.01% for cadmium, or qualify for an exemption to these limits as defined in the Annexes of Directive 2011/65/EU (RoHS2). Finished electrical and electronic equipment products will be CE marked as required by Directive 2011/65/EU. Components may not be CE marked. Additionally, the part numbers that TE has identified as EU ELV compliant have a maximum concentration of 0.1% by weight in homogenous materials for lead, hexavalent chromium, and mercury, and 0.01% for cadmium, or qualify for an exemption to these limits as defined in the Annexes of Directive 2000/53/EC (ELV). Regarding the REACH Regulation, the information TE provides on SVHC in articles for this part number is based on the latest European Chemicals Agency (ECHA) 'Guidance on requirements for substances in articles' posted at this URL: <https://echa.europa.eu/guidance-documents/guidance-on-reach>

## Compatible Parts

TE Model / Part # 4-1773447-3  
[Wire & Cable-Protection & Termination](#)

## Customers Also Bought



TE Model / Part #1617120-6  
J1MSW-5XP = M39016/10-017P



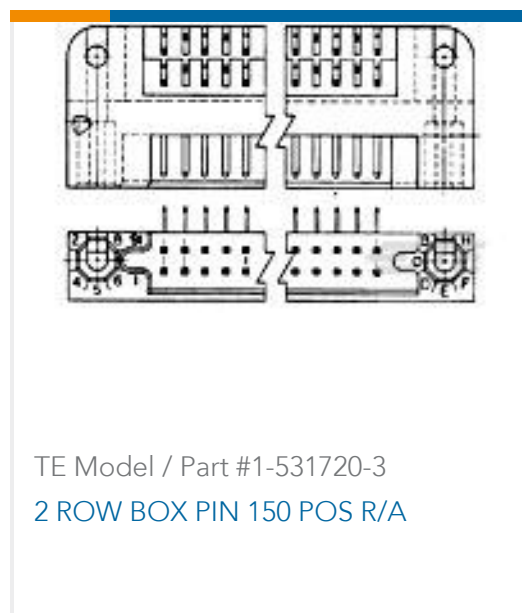
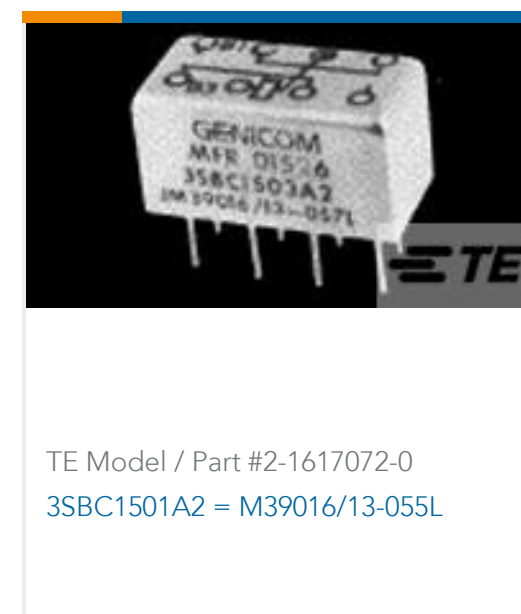
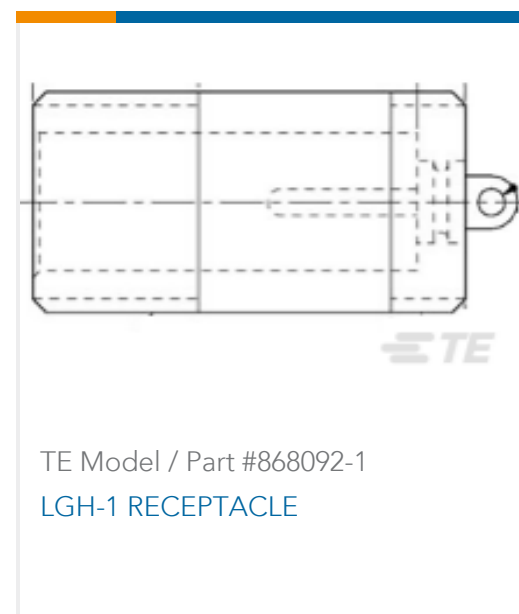
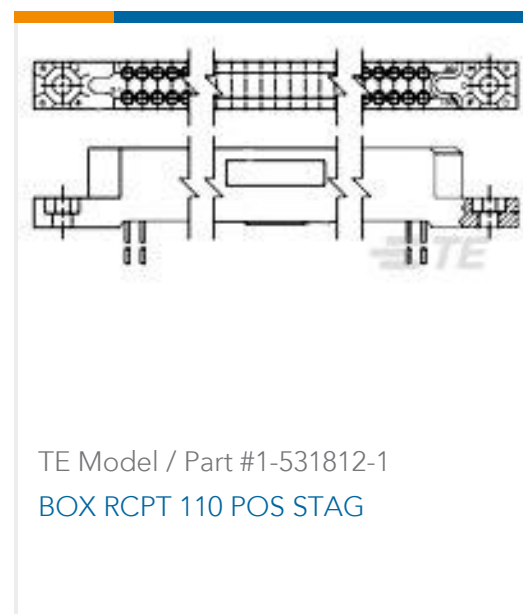
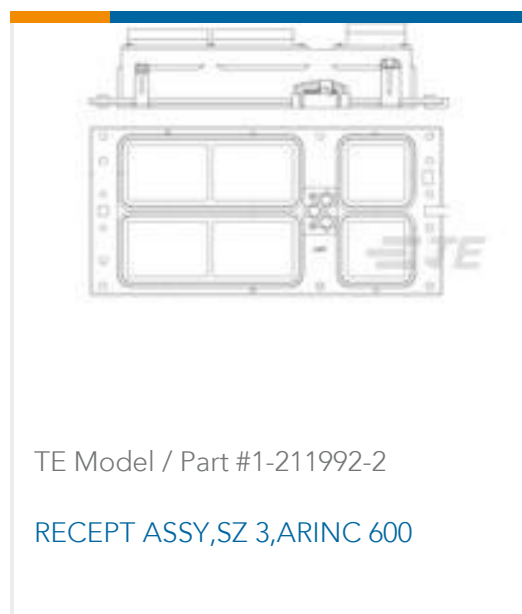
TE Model / Part #3-646529-0  
Z-PACK 2MM HM TYPE A/B 169P



TE Model / Part #1-1571551-2  
540-AG12D-ES-LF=500 DIP,SN/SN



TE Model / Part #2-1617036-9  
HFW4A1231D00 = HFW4A Relay



## Documents

### Product Drawings

SHELL,BLANK,PIN,SZ 8,FR/FR

English

### Datasheets & Catalog Pages

Quadrax Contacts, Connectors and Cables Brochure

English