

41808 ✓ ACTIVE

TE Internal #: 41808

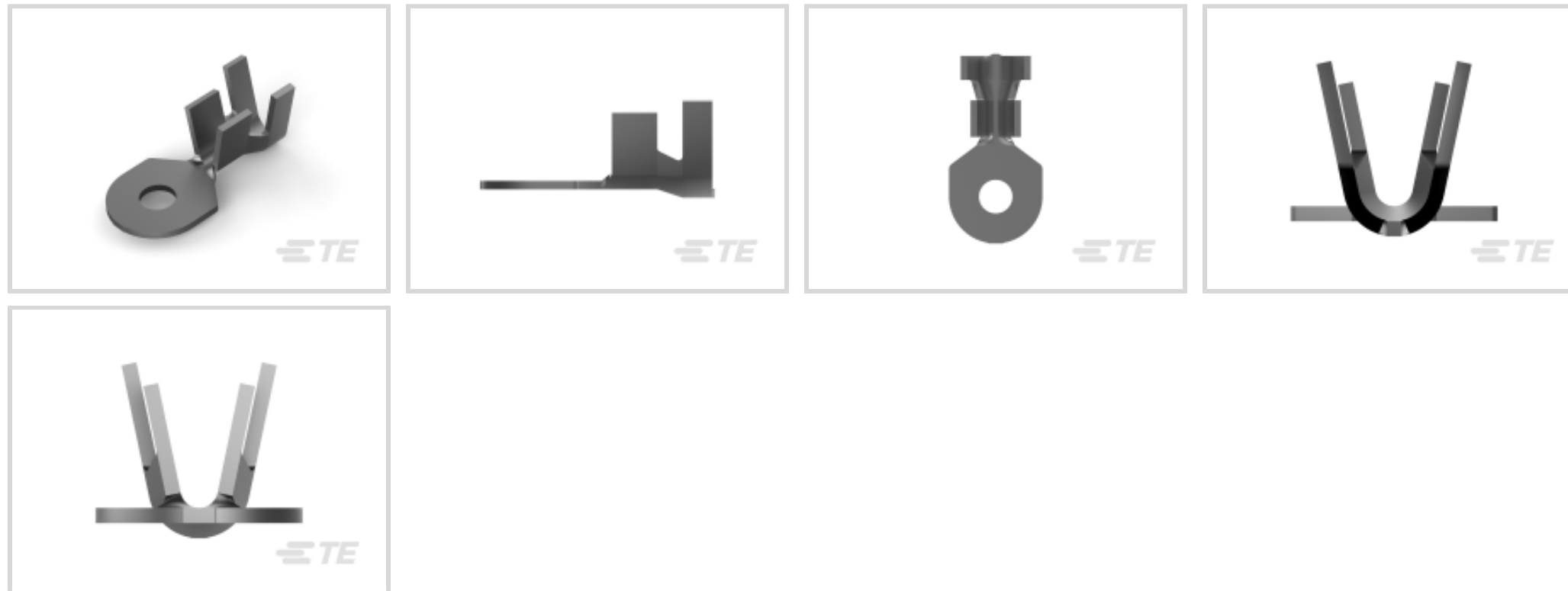
Rings & Spades, Ring Tongue, 10 – 8AWG Wire Size, 5 – 8mm²

Wire Size, 10382 – 16507 CMA Wire Size, #10, Stud Diameter 5 mm [.19 in]

[View on TE.com >](#)



Terminals & Splices > Rings & Spades



Terminal & Splice Type: **Ring Tongue**

Wire Size: **10382 – 16507 CMA**

Stud Size: **#10**

Features

Product Type Features

| | |
|-------------------|--------------------|
| Shape Description | D Shaped |
| Stud Size | #10 |
| Barrel Type | Open Barrel |
| Sealable | No |
| Insulated | No |
| Wire/Cable Type | Regular Wire |
| Support Style | Insulation Support |

Configuration Features

| | |
|-----------------|----------|
| Number of Holes | 1 |
| Terminal Angle | Straight |

Body Features

| | |
|------------------|---------|
| Inspection Slot | No |
| Weight per Piece | 4.304 g |
| Plating Material | Tin |

Contact Features

| | |
|-----------------------|--------|
| Contact Base Material | Copper |
|-----------------------|--------|



| | |
|------------------------|-------------|
| Terminal & Splice Type | Ring Tongue |
|------------------------|-------------|

| | |
|----------------------|----------|
| Terminal Orientation | Straight |
|----------------------|----------|

| | |
|-----------------------|--------|
| Underplating Material | Nickel |
|-----------------------|--------|

Mechanical Attachment

| | |
|-------------------------|------|
| Wire Insulation Support | With |
|-------------------------|------|

Dimensions

| | |
|--|--------|
| | .22 in |
|--|--------|

| | |
|-----------|-------------------|
| Wire Size | 10382 – 16507 CMA |
|-----------|-------------------|

| | |
|---------------|---------------|
| Stud Diameter | 5 mm [.19 in] |
|---------------|---------------|

| | |
|------------------|------------------|
| Tongue Thickness | 1.27 mm [.05 in] |
|------------------|------------------|

| | |
|----------------|--------------------|
| Overall Length | 28.19 mm [1.11 in] |
|----------------|--------------------|

| | |
|------------------------|------------------------------------|
| Barrel Inside Diameter | 3.55 mm, 4.57 mm [.13 in] [.27 in] |
|------------------------|------------------------------------|

| | |
|--------------------------------|--------------------|
| Wire Insulation Diameter (Max) | 8.001 mm [.315 in] |
|--------------------------------|--------------------|

| | |
|--------------------------|-----------------------------|
| Wire Insulation Diameter | 5.59 – 8 mm [.22 – .315 in] |
|--------------------------|-----------------------------|

Usage Conditions

| | |
|-----------------------------|-----------------------------|
| Operating Temperature Range | -40 – 110 °C [-40 – 230 °F] |
|-----------------------------|-----------------------------|

Operation/Application

| | |
|------------|----|
| Heavy Duty | No |
|------------|----|

Industry Standards

| | |
|----------------------|----|
| Government Qualified | No |
|----------------------|----|

Packaging Features

| | |
|--------------------|------|
| Packaging Quantity | 1200 |
|--------------------|------|

| | |
|------------------|------------|
| Packaging Method | Strip/Reel |
|------------------|------------|

Product Compliance

[For compliance documentation, visit the product page on TE.com>](#)

| | |
|------------------------------|-----------|
| EU RoHS Directive 2011/65/EU | Compliant |
|------------------------------|-----------|

| | |
|-----------------------------|-----------|
| EU ELV Directive 2000/53/EC | Compliant |
|-----------------------------|-----------|

| | |
|---|---|
| China RoHS 2 Directive MIIT Order No 32, 2016 | No Restricted Materials Above Threshold |
|---|---|

| | |
|--|--|
| EU REACH Regulation (EC) No. 1907/2006 | Current ECHA Candidate List: JUN 2020 (209) Candidate List Declared Against: JAN 2020 (205) |
|--|--|



Does not contain REACH SVHC

Halogen Content

Low Halogen - Br, Cl, F, I < 900 ppm per homogenous material. Also BFR/CFR/PVC Free

Solder Process Capability

Not applicable for solder process capability

Product Compliance Disclaimer

This information is provided based on reasonable inquiry of our suppliers and represents our current actual knowledge based on the information they provided. This information is subject to change. The part numbers that TE has identified as EU RoHS compliant have a maximum concentration of 0.1% by weight in homogenous materials for lead, hexavalent chromium, mercury, PBB, PBDE, DBP, BBP, DEHP, DIBP, and 0.01% for cadmium, or qualify for an exemption to these limits as defined in the Annexes of Directive 2011/65/EU (RoHS2). Finished electrical and electronic equipment products will be CE marked as required by Directive 2011/65/EU. Components may not be CE marked. Additionally, the part numbers that TE has identified as EU ELV compliant have a maximum concentration of 0.1% by weight in homogenous materials for lead, hexavalent chromium, and mercury, and 0.01% for cadmium, or qualify for an exemption to these limits as defined in the Annexes of Directive 2000/53/EC (ELV). Regarding the REACH Regulation, the information TE provides on SVHC in articles for this part number is based on the latest European Chemicals Agency (ECHA) 'Guidance on requirements for substances in articles' posted at this URL: <https://echa.europa.eu/guidance-documents/guidance-on-reach>

Compatible Parts



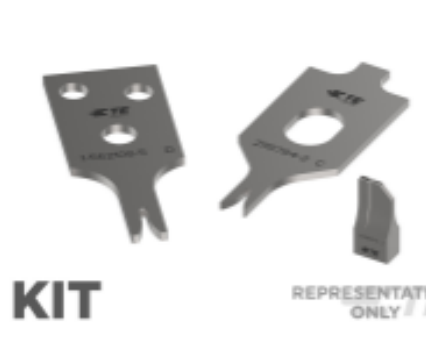
TE Model / Part # 2-2150472-2
OCEAN_2.0_APPLICATOR-E-250F375O



TE Model / Part # 2150472-2
OCEAN_2.0_APPLICATOR-E-250F375O



TE Model / Part # 7-2150472-2
OCEAN_2.0_APPLICATOR-E-250F375O



TE Model / Part # 7-2150472-7
OCEAN_2.0_SPARE_PART_KIT-250F375O

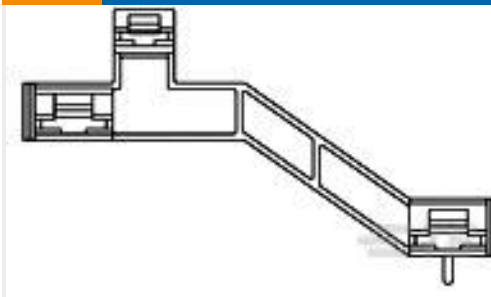
Customers Also Bought



TE Model / Part #499683-000
ES2000-NO.2-B9-0-39MM



TE Model / Part #089543-000
ES2000-NO.3-B8-0-38MM



TE Model / Part #521488-1
FASTON 187/250 REC HSG 3 CIR NYLON NAT



TE Model / Part #3-1123722-9
3.96 EP PLUG HSG 9P(BLUE)



Documents

Product Drawings

RING TERMINAL 10-8 AWG TPCU

English

CAD Files

3D PDF

3D

Customer View Model

[ENG_CVM_CVM_41808_V_c-41808-v.2d_dxf.zip](#)

English

Customer View Model

[ENG_CVM_CVM_41808_V_c-41808-v.3d_igs.zip](#)

English

Customer View Model

[ENG_CVM_CVM_41808_V_c-41808-v.3d_stp.zip](#)

English

By downloading the CAD file I accept and agree to the [Terms and Conditions](#) of use.

Product Specifications

Engineering Report

English

Product Environmental Compliance

TE Material Declaration

English

Agency Approvals

UL Report

41808

Rings & Spades, Ring Tongue, 10 – 8AWG Wire Size, 5 – 8mm² Wire Size, 10382 – 16507CMA Wire Size, #10, Stud Diameter 5 mm [.19 in]



English