

607847-1 ✓ ACTIVE

AMP-TY

TE Internal #: 607847-1

Cable Tie Mounts & Accessories, Cable Tie Mount, Swivel,
Adhesive Back, 1in [25.4mm] Cable Tie Mount & Accessory Width,
Nylon, White, Bag

[View on TE.com >](#)



Wire & Cable > Wire & Cable Accessories > Cable Tie Mounts & Accessories



Cable Tie Mount Accessory Type: **Cable Tie Mount**

Cable Tie Mount & Accessory Mounting Type: **Swivel**

Adhesive Back: **With**

Cable Tie Mount & Accessory Width: **25.4 mm [1 in]**

Cable Tie Mount & Accessory Material: **Nylon**

Features

Product Type Features

Product Type	Accessory
Cable Tie Mount Accessory Type	Cable Tie Mount

Body Features

Cable Tie Mount & Accessory Material	Nylon
Cable Tie Mount & Accessory Color	White

Mechanical Attachment

Cable Tie Mount & Accessory Mounting Type	Swivel
Adhesive Back	With

Dimensions

Cable Tie Mount & Accessory Width	25.4 mm[1 in]
-----------------------------------	---------------

Packaging Features

Cable Tie Mount & Accessory Packaging Method	Bag
--	-----

Other

Comment	Rubber-based adhesive backing has a tensile strength of 26.7 N [6 lb.] per sq. in. This rating applies in temperatures from -45 °C [-50 °F] to 82 °C [180 °F]. For best performance, mounts should be applied to a smooth, clean, dry, and oil-free surface.
---------	--

Product Compliance

[For compliance documentation, visit the product page on TE.com>](#)

EU RoHS Directive 2011/65/EU	Compliant
EU ELV Directive 2000/53/EC	Compliant
China RoHS 2 Directive MIIT Order No 32, 2016	No Restricted Materials Above Threshold
EU REACH Regulation (EC) No. 1907/2006	Current ECHA Candidate List: JUN 2020 (209) Candidate List Declared Against: JUL 2017 (174) Does not contain REACH SVHC
Halogen Content	Not Yet Reviewed for halogen content
Solder Process Capability	Not applicable for solder process capability

Product Compliance Disclaimer

This information is provided based on reasonable inquiry of our suppliers and represents our current actual knowledge based on the information they provided. This information is subject to change. The part numbers that TE has identified as EU RoHS compliant have a maximum concentration of 0.1% by weight in homogenous materials for lead, hexavalent chromium, mercury, PBB, PBDE, DBP, BBP, DEHP, DIBP, and 0.01% for cadmium, or qualify for an exemption to these limits as defined in the Annexes of Directive 2011/65/EU (RoHS2). Finished electrical and electronic equipment products will be CE marked as required by Directive 2011/65/EU. Components may not be CE marked. Additionally, the part numbers that TE has identified as EU ELV compliant have a maximum concentration of 0.1% by weight in homogenous materials for lead, hexavalent chromium, and mercury, and 0.01% for cadmium, or qualify for an exemption to these limits as defined in the Annexes of Directive 2000/53/EC (ELV). Regarding the REACH Regulation, the information TE provides on SVHC in articles for this part number is based on the latest European Chemicals Agency (ECHA) 'Guidance on requirements for substances in articles' posted at this URL: <https://echa.europa.eu/guidance-documents/guidance-on-reach>

Compatible Parts

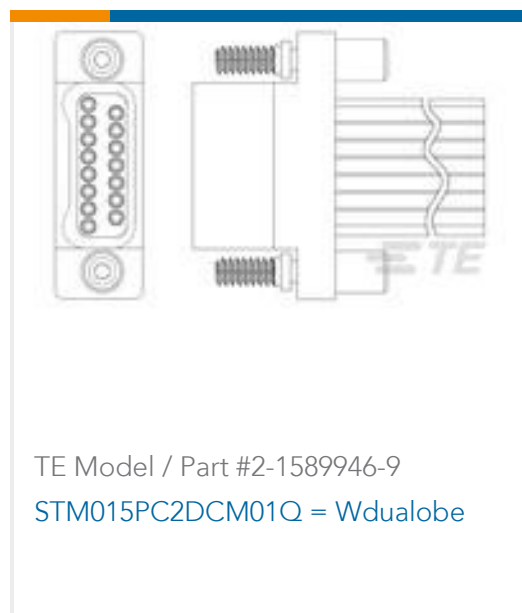
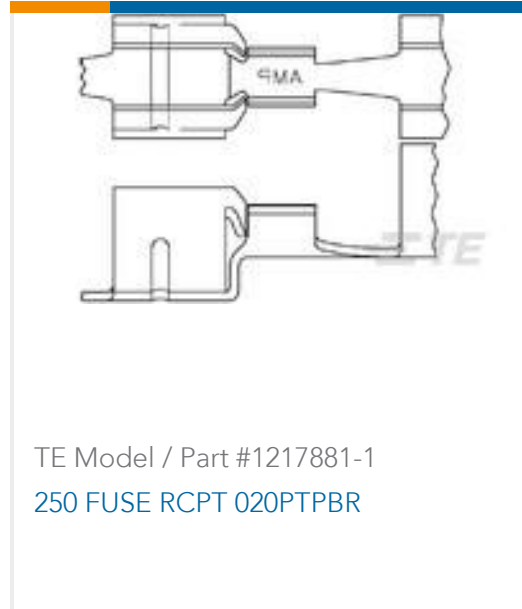
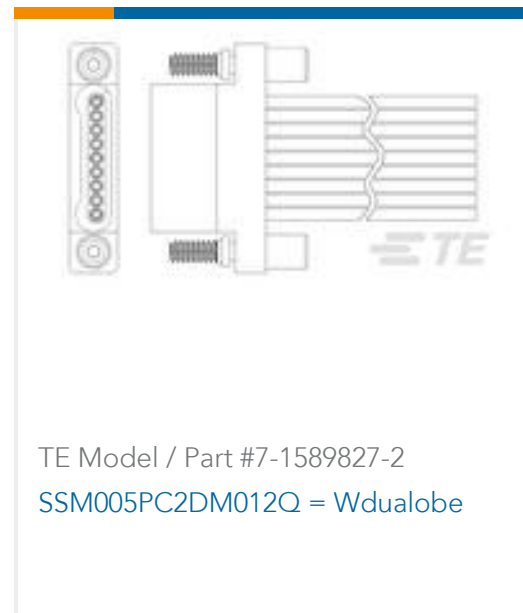
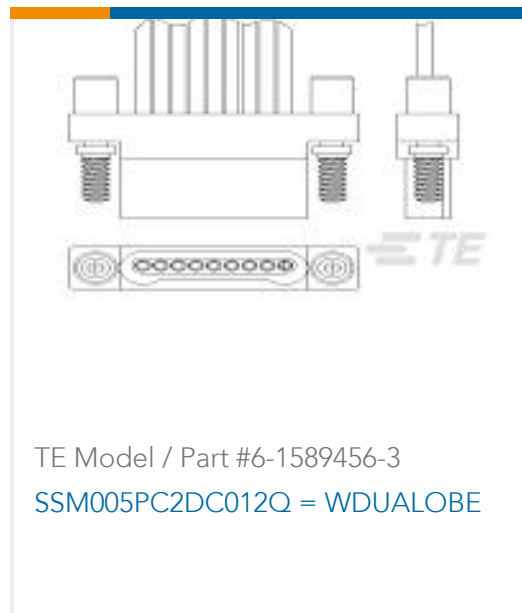


TE Model / Part # 608801-1
CABLE TIE MOUNT, 2-WAY



TE Model / Part # 2-106093-2
PANEL SCREW SUPPORT F/AMP-TV

Customers Also Bought



Documents

[Product Drawings](#)
[CABLE TIE MOUNT](#)

English