

103946-1 ✓ ACTIVE

AMPMODU | AMPMODU MTE

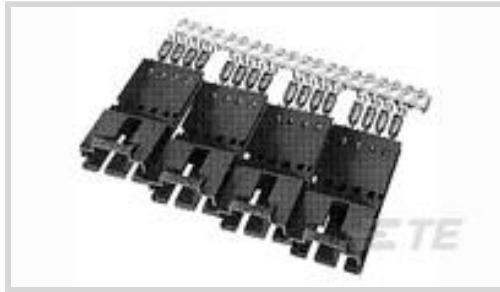
TE Internal #: 103946-1

AMPMODU MTE, Connector Assembly, Plug, Wire-to-Board, 2 Position, 2.54mm [.1in] Centerline, Insulation Displacement Crimp (IDC) / Crimp, 1 Row

[View on TE.com >](#)



Connectors > PCB Connectors > Wire-to-Board Connectors > Wire-to-Board Connector Assemblies & Housings



Connector Product Type: **Connector Assembly**

Connector & Housing Type: **Plug**

Connector System: **Wire-to-Board**

Number of Positions: **2**

Centerline (Pitch): **2.54 mm [.1 in]**

Features

Product Type Features

| | |
|-----------------------------------|--------------------|
| Connector Product Type | Connector Assembly |
| Connector & Housing Type | Plug |
| Connector System | Wire-to-Board |
| Sealable | No |
| Connector & Contact Terminates To | Wire & Cable |

Configuration Features

| | |
|---------------------|---|
| Number of Positions | 2 |
| Number of Rows | 1 |

Electrical Characteristics

| | |
|---------------------------------------|---------|
| Termination Resistance | 15 mΩ |
| Insulation Resistance | 5000 MΩ |
| Dielectric Withstanding Voltage (Max) | 600 V |
| Operating Voltage | 267 V |

Contact Features

| | |
|--|----------|
| Contact Layout | Inline |
| Contact Type | Pin |
| PCB Contact Termination Area Plating Material Finish | Bright |
| PCB Contact Termination Area Plating Material | Tin-Lead |



| | |
|-----------------------|-----------------|
| Contact Base Material | Phosphor Bronze |
|-----------------------|-----------------|

| | |
|------------------------------|-----|
| Contact Current Rating (Max) | 3 A |
|------------------------------|-----|

Termination Features

| | |
|------------------------------------|--|
| Termination Method to Wire & Cable | Crimp, Insulation Displacement Crimp (IDC) |
|------------------------------------|--|

Mechanical Attachment

| | |
|---------------|------|
| Strain Relief | With |
|---------------|------|

| | |
|---------------------|---------|
| Panel Mount Feature | Without |
|---------------------|---------|

| | |
|---------------------|---------|
| PCB Mount Retention | Without |
|---------------------|---------|

| | |
|-----------------------|-------|
| Mating Retention Type | Latch |
|-----------------------|-------|

| | |
|------------------|------|
| Mating Retention | With |
|------------------|------|

| | |
|-------------------------|----------------------------|
| Connector Mounting Type | Cable Mount (Free-Hanging) |
|-------------------------|----------------------------|

Housing Features

| | |
|------------------|---------------|
| Housing Material | Thermoplastic |
|------------------|---------------|

| | |
|--------------------|----------------|
| Centerline (Pitch) | 2.54 mm[.1 in] |
|--------------------|----------------|

| | |
|---------------|-------|
| Housing Color | Black |
|---------------|-------|

Dimensions

| | |
|------------------|------------------|
| Connector Length | 5.99 mm[2.36 in] |
|------------------|------------------|

| | |
|------------------|----------------|
| Connector Height | .66 mm[.26 in] |
|------------------|----------------|

| | |
|-----------|--------------------------|
| Wire Size | .12 – .4 mm ² |
|-----------|--------------------------|

| | |
|--------------------|----------------|
| Row-to-Row Spacing | 2.54 mm[.1 in] |
|--------------------|----------------|

Usage Conditions

| | |
|-----------------------------|----------------------------|
| Operating Temperature Range | -65 – 105 °C[-85 – 221 °F] |
|-----------------------------|----------------------------|

Operation/Application

| | |
|---------------------|--------|
| Circuit Application | Signal |
|---------------------|--------|

Industry Standards

| | |
|------------------|-------------------------------|
| Glow Wire Rating | Standard Part - Not Glow Wire |
|------------------|-------------------------------|

| | |
|--------------------|-----------------------|
| Approved Standards | CSA LR7189, UL E28476 |
|--------------------|-----------------------|

| | |
|------------------------|----------|
| UL Flammability Rating | UL 94V-0 |
|------------------------|----------|

Packaging Features

| | |
|--------------------|---|
| Packaging Quantity | 8 |
|--------------------|---|

| | |
|------------------|------|
| Packaging Method | Tube |
|------------------|------|

Other



| | |
|---------|---|
| Comment | Maximum insulation diameter is 1.14 [.045] for Pneumatic Terminators., Ribbon Cable Notched handles 22-28 AWG |
|---------|---|

Product Compliance

[For compliance documentation, visit the product page on TE.com>](#)

| | |
|---|--|
| EU RoHS Directive 2011/65/EU | Not Compliant |
| EU ELV Directive 2000/53/EC | Not Compliant |
| China RoHS 2 Directive MIIT Order No 32, 2016 | Restricted Materials Above Threshold |
| EU REACH Regulation (EC) No. 1907/2006 | Current ECHA Candidate List: JUN 2020 (209) Candidate List Declared Against: JAN 2020 (205) Pb (13% in Component Part) Article Safe Usage Statements: Do not eat, drink or smoke when using this product. Wash thoroughly after handling. Recycle if possible and dispose of the article by following all applicable governmental regulations relevant to your geographic location. |
| Halogen Content | Not Low Halogen - contains Br or Cl > 900 ppm. |
| Solder Process Capability | Not applicable for solder process capability |

Product Compliance Disclaimer

This information is provided based on reasonable inquiry of our suppliers and represents our current actual knowledge based on the information they provided. This information is subject to change. The part numbers that TE has identified as EU RoHS compliant have a maximum concentration of 0.1% by weight in homogenous materials for lead, hexavalent chromium, mercury, PBB, PBDE, DBP, BBP, DEHP, DIBP, and 0.01% for cadmium, or qualify for an exemption to these limits as defined in the Annexes of Directive 2011/65/EU (RoHS2). Finished electrical and electronic equipment products will be CE marked as required by Directive 2011/65/EU. Components may not be CE marked. Additionally, the part numbers that TE has identified as EU ELV compliant have a maximum concentration of 0.1% by weight in homogenous materials for lead, hexavalent chromium, and mercury, and 0.01% for cadmium, or qualify for an exemption to these limits as defined in the Annexes of Directive 2000/53/EC (ELV). Regarding the REACH Regulation, the information TE provides on SVHC in articles for this part number is based on the latest European Chemicals Agency (ECHA) 'Guidance on requirements for substances in articles' posted at this URL: <https://echa.europa.eu/guidance-documents/guidance-on-reach>

Compatible Parts

| | | |
|---|---|--|
|  <p>TE Model / Part # 58074-1 MTA 50/100/156 MANUAL TOOL FRAME</p> |  <p>TE Model / Part # 58336-1 HEAD (IDC) MODU MTE W/O TL</p> |  <p>TE Model / Part # 843477-1 TOOL, EXTRACTION RESET</p> |
|---|---|--|

Also in the Series | AMPMODU MTE



PCB Connector Shrouds(40)



Ribbon Connector Accessories(1)



Standard Rectangular Connectors(1)



Wire-to-Board Connector Assemblies & Housings(589)



Wire-to-Board Connector Contacts(32)



Wire-to-Board Headers & Receptacles (738)

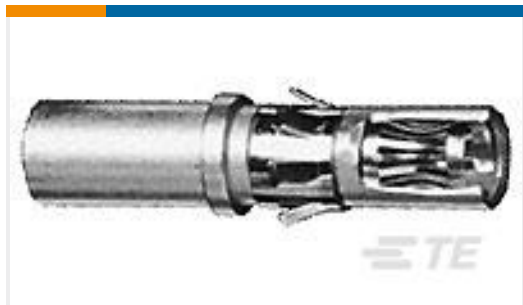
Customers Also Bought



TE Model / Part #103946-2
5X3 MTE SHRD PIN SR POL .100CL



TE Model / Part #103946-3
4X4 MTE SHRD PIN SR POL .100CL



TE Model / Part #193535-1
SKT ASSY.,POWER, #12-14 AWG



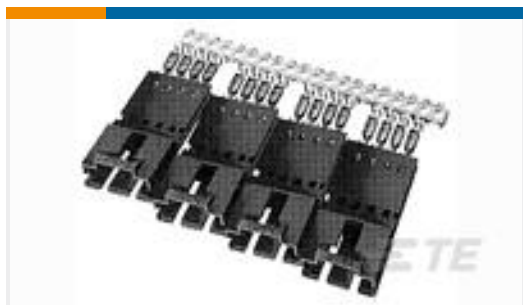
TE Model / Part #194189-3
PIN ASSY., CRIMP



TE Model / Part #3-643820-2
02P MTA156 CONN ASSY 24AWG LF



TE Model / Part #194189-8
PIN ASSY., CRIMP



TE Model / Part #5-103946-1
8X2 MTE SHRD PIN SR POL .100CL



TE Model / Part #1-103167-4
34 MODII HDR DRRR SHRD .100CL



TE Model / Part #641192-3
03P MTA100 CONN ASSY BLU 26AWG



TE Model / Part #641192-6
06P MTA100 CONN ASSY BLU 26AWG



Documents

Product Drawings

[8X2 MTE SHRD PIN SR POL .100CL](#)

English

CAD Files

Customer View Model

[ENG_CVM_103946-1_K.3d_igs.zip](#)

English

Customer View Model

[ENG_CVM_103946-1_K.3d_stp.zip](#)

English

Customer View Model

[ENG_CVM_103946-1_K.2d_dxf.zip](#)

English

[3D PDF](#)

English

By downloading the CAD file I accept and agree to the [Terms and Conditions](#) of use.

Datasheets & Catalog Pages

[AMPMODU MTE INTERCONNECT SYSTEM](#)

English

Product Specifications

[Application Specification](#)

English

Product Environmental Compliance

[TE Material Declaration](#)

English

Instruction Sheets

[Instruction Sheet \(U.S.\)](#)

English

Agency Approvals

[UL Report](#)

English
