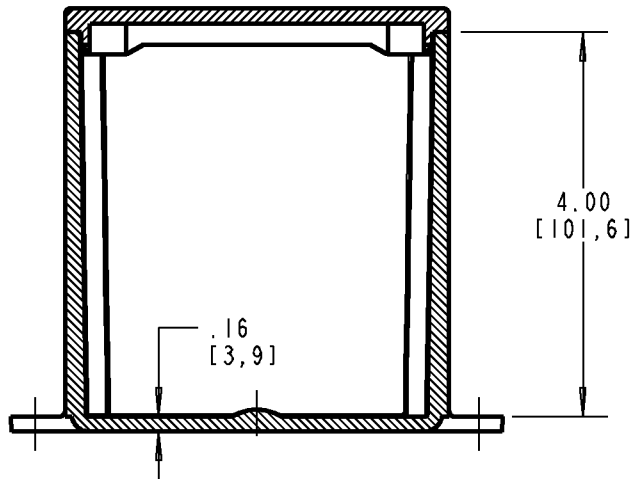
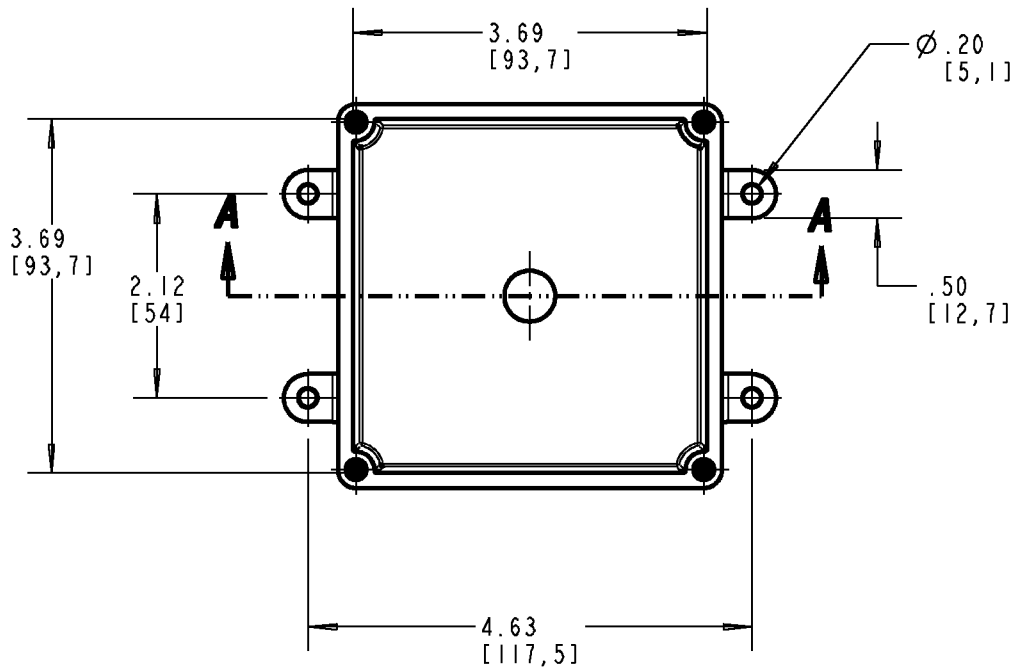


Carlton®



SECTION **A-A**

- NOTES:
 1. MATERIAL: PVC
 2. NEMA TYPES: 4/4X, 6P

P/N
 E987N
 E987N-CAR
 E987NR
 E987NCL
 E987NL

GENERAL NOTES

1. ALL DIMENSIONS ARE FOR REFERENCE ONLY.
2. DIMENSIONS IN BRACKETS [] ARE IN METRIC UNITS.

REVISIONS

F SEE ERN 2016195 FOR APPROVAL SIGNATURES & RELEASE DATE.
 PROJECT NO: 5AM000006

Thomas & Betts
 www.tnb.com

DESCRIPTION: **MOLDED NON-METALLIC ENCLOSURE
 4X4X4**

ORIGINAL PROJECT NO / (ERN NO)
 / ()

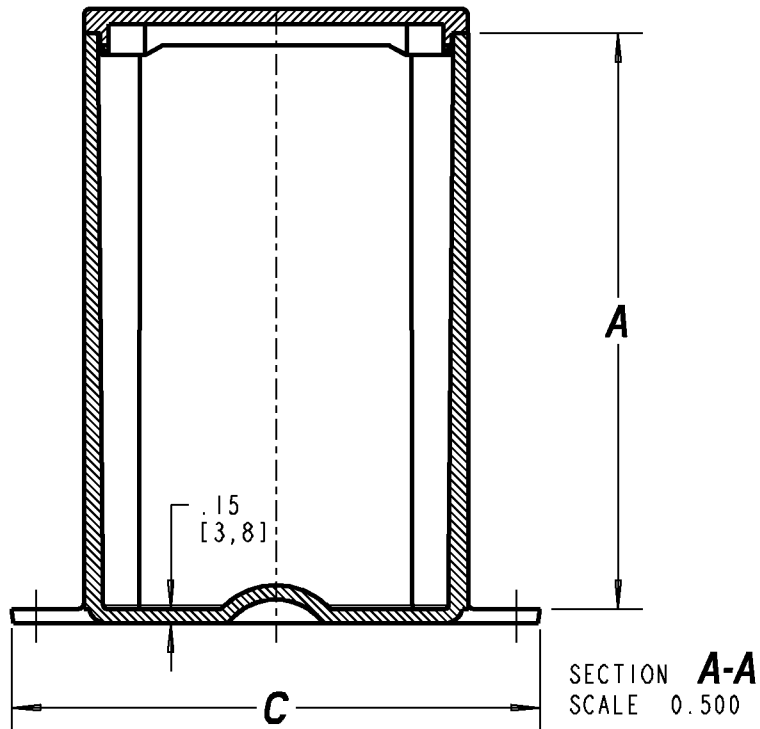
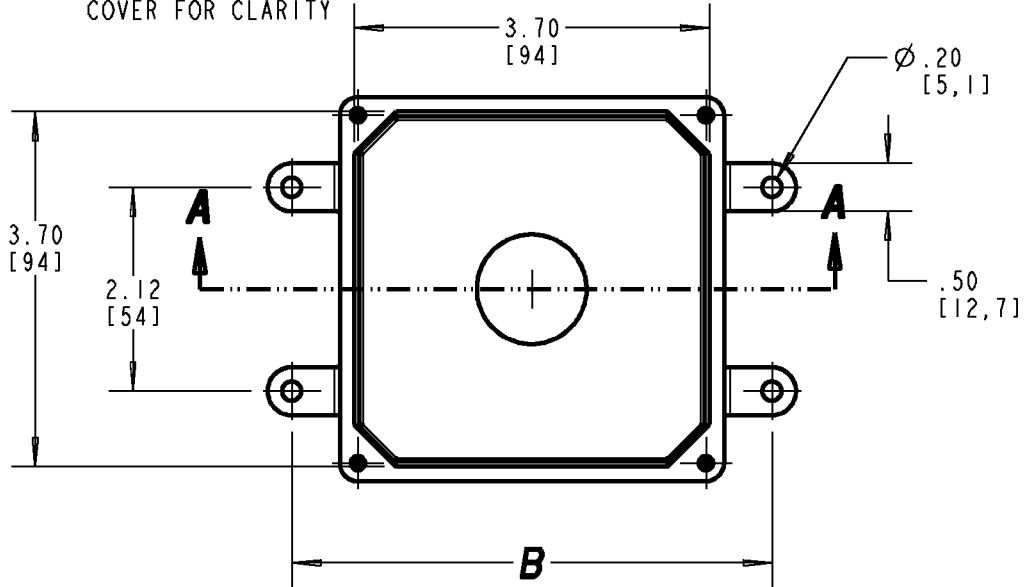
SHEET NO:
 1 OF 2

REV. NO:
F

DRAWING NO:
WSD-AC01977

Carlton®

VIEW SHOWN LESS COVER FOR CLARITY



SIZE	A	B	C
E989NNJ E989NNJB E989NNJ-CAR E989NNJCL E989NNJL (4X4X2)	2.00 (50,8)	4.63 (117,6)	5.13 (130,2)
E989NNR E989NNR-CAR (4X4X6)	6.00 (152,4)	5.00 (127,0)	5.50 (139,7)

- NOTES:
1. MATERIAL: PVC
2. NEMA TYPES: 4/4X, 6P

GENERAL NOTES

- ALL DIMENSIONS ARE FOR REFERENCE ONLY.
- DIMENSIONS IN BRACKETS [] ARE IN METRIC UNITS.

REVISIONS

F SEE ERN 2016195 FOR APPROVAL SIGNATURES & RELEASE DATE.
PROJECT NO: 5AM000006

Thomas & Betts
www.tnb.com

DESCRIPTION: **MOLDED NON-METALLIC ENCLOSURE**

ORIGINAL PROJECT NO / (ERN NO)
/ ()

SHEET NO:
2 OF 2

REV. NO:
F

DRAWING NO:
WSD-AC01977