



Application Tooling > Spare & Wear Tooling



Applicator & Product Style: **High Voltage**

Features

Other

Applicator & Product Style	High Voltage
----------------------------	--------------

Product Compliance

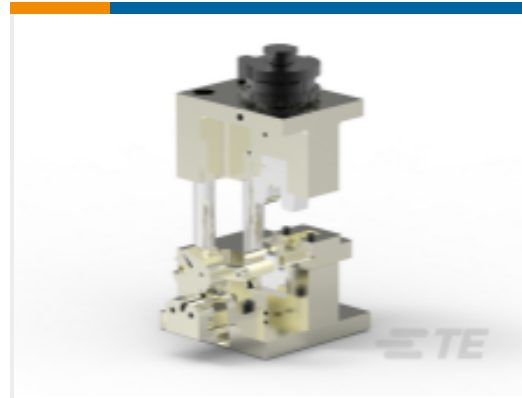
[For compliance documentation, visit the product page on TE.com>](#)

EU RoHS Directive 2011/65/EU	Out of Scope
EU ELV Directive 2000/53/EC	Out of Scope
China RoHS 2 Directive MIIT Order No 32, 2016	No Restricted Materials Above Threshold
EU REACH Regulation (EC) No. 1907/2006	Current ECHA Candidate List: JUN 2020 (209) Candidate List Declared Against: JUN 2018 (191) Does not contain REACH SVHC
Halogen Content	Not Yet Reviewed for halogen content
Solder Process Capability	Not applicable for solder process capability

Product Compliance Disclaimer

This information is provided based on reasonable inquiry of our suppliers and represents our current actual knowledge based on the information they provided. This information is subject to change. The part numbers that TE has identified as EU RoHS compliant have a maximum concentration of 0.1% by weight in homogenous materials for lead, hexavalent chromium, mercury, PBB, PBDE, DBP, BBP, DEHP, DIBP, and 0.01% for cadmium, or qualify for an exemption to these limits as defined in the Annexes of Directive 2011/65/EU (RoHS2). Finished electrical and electronic equipment products will be CE marked as required by Directive 2011/65/EU. Components may not be CE marked. Additionally, the part numbers that TE has identified as EU ELV compliant have a maximum concentration of 0.1% by weight in homogenous materials for lead, hexavalent chromium, and mercury, and 0.01% for cadmium, or qualify for an exemption to these limits as defined in the Annexes of Directive 2000/53/EC (ELV). Regarding the REACH Regulations, TE's information on SVHC in articles for this part number is still based on the European Chemical Agency (ECHA) 'Guidance on requirements for substances in articles' (Version: 2, April 2011), applying the 0.1% weight on weight concentration threshold at the finished product level. TE is aware of the European Court of Justice ruling of September 10th, 2015 also known as O5A (Once An Article Always An Article) stating that, in case of 'complex object', the threshold for a SVHC must be applied to both the product as a whole and simultaneously to each of the articles forming part of its composition. TE has evaluated this ruling based on the new ECHA "Guidance on requirements for substances in articles" (June 2017, version 4.0) and will be updating its statements accordingly.

Compatible Parts



TE Model / Part # 2305470-1
HV MODULAR DIE HOLDER WITH
FINE ADJUST



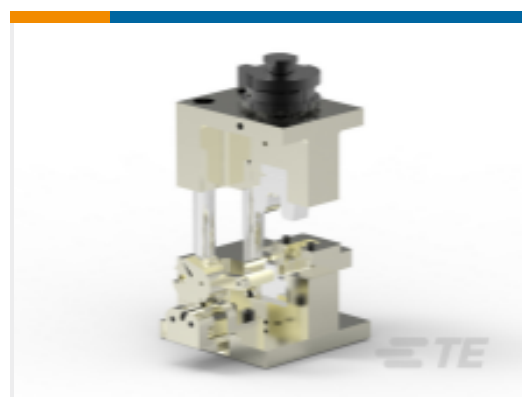
TE Model / Part # 2326378-1
HV MODULAR DIE HOLDER W/O
FINE ADJUST



TE Model / Part # 2177090-2
STEEL, OUTER FERRULE, 8MM HV,
35SQMM



TE Model / Part # 2177060-3
CU ALLOY, SHIELD, 8MM HV, CONN
HSG, 180 DEG



TE Model / Part # 2234443-1
HV MODULAR DIE HOLDER WITH
FINE ADJUST



TE Model / Part # 2177061-2
SHIELD CRIMP FERRULE, 180DEG

Customers Also Bought



TE Model / Part #7-2150041-7
OCEAN_2.0_SPARE_PART_KIT-
110F180F



TE Model / Part #2266088-2
OC-AT-S-FA-070F090O-040-0837



TE Model / Part #2266526-2
OC-AT-S-FA-062O100O-055-1033



TE Model / Part #2326571-1
DIE SET HVP 800-180 T 35MM2



TE Model / Part #2836768-1
OC-AT-S-FM-055F067F-145-1537



TE Model / Part #3-1633919-4
ANVIL COMBINATION

Documents

[Datasheets & Catalog Pages](#)

[High Voltage Cable Processing Solutions](#)

[English](#)

[Product Specifications](#)

[Application Specification](#)



English

Instruction Sheets

[High Force 20 \(HF-20\) Terminator, PN 2335500-\[\], and High Voltage 20 \(HV-20\) Terminator, PN 2348822-\[\]](#)

[High Force 20 \(HF-20\) Terminator, PN 2335500-\[\], and High Voltage 20 \(HV-20\) Terminator, PN 2348822-\[\]](#)

German

[High Force 20 \(HF-20\) Terminator, PN 2335500-\[\], and High Voltage 20 \(HV-20\) Terminator, PN 2348822-\[\]](#)

English

[High Force 20 \(HF-20\) Terminator, PN 2335500-\[\], and High Voltage 20 \(HV-20\) Terminator, PN 2348822-\[\]](#)

[High Force 20 \(HF-20\) Terminator, PN 2335500-\[\], and High Voltage 20 \(HV-20\) Terminator, PN 2348822-\[\]](#)

French

[High Force 20 \(HF-20\) Terminator, PN 2335500-\[\], and High Voltage 20 \(HV-20\) Terminator, PN 2348822-\[\]](#)

[High Force 20 \(HF-20\) Terminator, PN 2335500-\[\], and High Voltage 20 \(HV-20\) Terminator, PN 2348822-\[\]](#)

[High Force 20 \(HF-20\) Terminator, PN 2335500-\[\], and High Voltage 20 \(HV-20\) Terminator, PN 2348822-\[\]](#)