

1-2213871-2 ✓ ACTIVE

LUMAWISE | LUMAWISE Endurance N

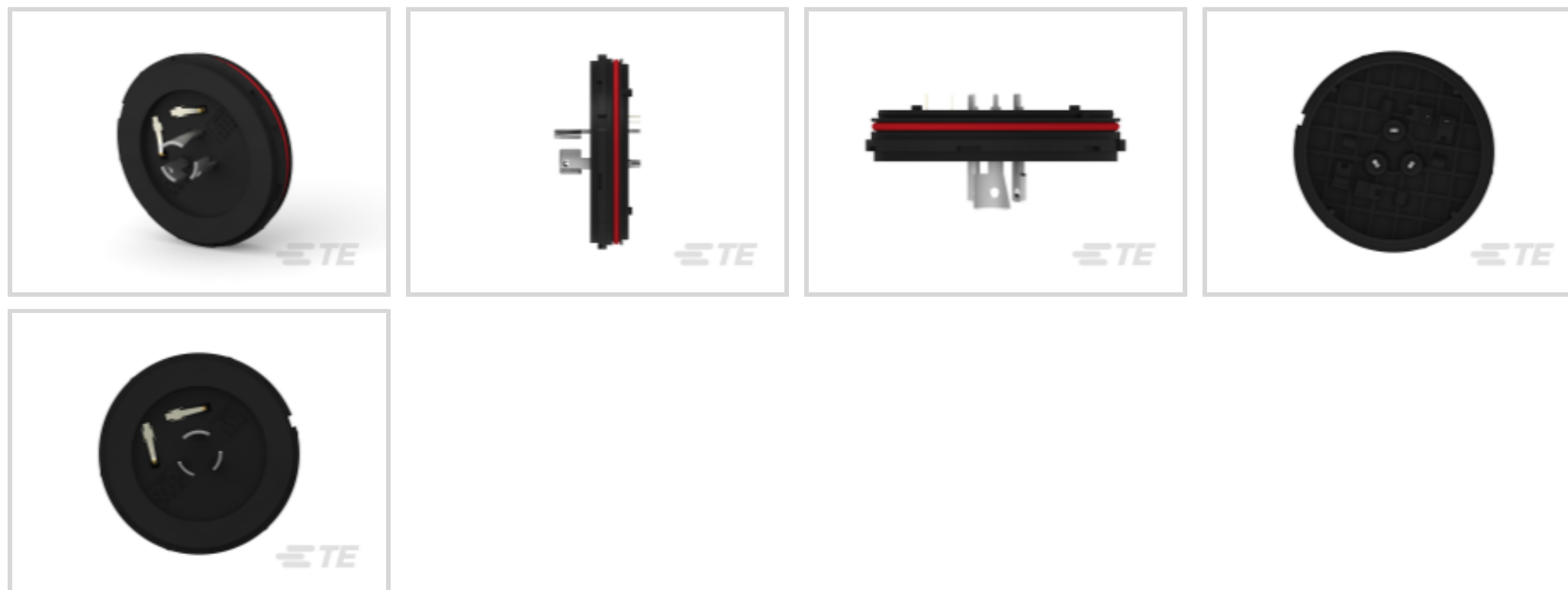
TE Internal #: 1-2213871-2

LUMAWISE Endurance N, NEMA/ANSI Street Light Controls, Connector, Black Housing Color, ANSI, Not Vented / Sleeve Compatible, 5 Position, Sealable

[View on TE.com >](#)



Connectors > Lighting Connectors > Solid State Lighting > NEMA/ANSI Street Light Controls > PHOTO CONTROL BASE



Lighting Product Type: **Connector**

Housing Color: **Black**

Agency/Standard: **ANSI**

Lighting Connector Features Included: **Not Vented, Sleeve Compatible**

Number of Positions: **5**

[All PHOTO CONTROL BASE \(5\)](#)

Features

Product Type Features

Lighting Product Type	Connector
Sealable	Yes
Connector & Contact Terminates To	Printed Circuit Board

Configuration Features

Lighting Connector Features Included	Not Vented, Sleeve Compatible
Number of Positions	5

Electrical Characteristics

Surge Protection	None
Operating Voltage	600 VAC

Contact Features

Contact Mating Area Plating Material	Gold
Contact Current Rating (Max)	15 A



Housing Features

Housing Color	Black
---------------	-------

Dimensions

Product Diameter	81 mm
------------------	-------

Usage Conditions

Operating Temperature Range	-40 – 85 °C, -40 – 85 °C[-40 – 185 °F][-40 – 185 °F]
-----------------------------	--

Operation/Application

Circuit Application	Power & Signal
---------------------	----------------

Industry Standards

Agency/Standard	ANSI
-----------------	------

Product Compliance


[For compliance documentation, visit the product page on TE.com>](#)

EU RoHS Directive 2011/65/EU	Compliant
EU ELV Directive 2000/53/EC	Not Yet Reviewed
China RoHS 2 Directive MIIT Order No 32, 2016	No Restricted Materials Above Threshold
EU REACH Regulation (EC) No. 1907/2006	Current ECHA Candidate List: JUN 2020 (209) Candidate List Declared Against: JAN 2019 (197) Does not contain REACH SVHC
Halogen Content	Low Halogen - Br, Cl, F, I < 900 ppm per homogenous material. Also BFR/CFR/PVC Free
Solder Process Capability	Not reviewed for solder process capability


Product Compliance Disclaimer

This information is provided based on reasonable inquiry of our suppliers and represents our current actual knowledge based on the information they provided. This information is subject to change. The part numbers that TE has identified as EU RoHS compliant have a maximum concentration of 0.1% by weight in homogenous materials for lead, hexavalent chromium, mercury, PBB, PBDE, DBP, BBP, DEHP, DIBP, and 0.01% for cadmium, or qualify for an exemption to these limits as defined in the Annexes of Directive 2011/65/EU (RoHS2). Finished electrical and electronic equipment products will be CE marked as required by Directive 2011/65/EU. Components may not be CE marked. Additionally, the part numbers that TE has identified as EU ELV compliant have a maximum concentration of 0.1% by weight in homogenous materials for lead, hexavalent chromium, and mercury, and 0.01% for cadmium, or qualify for an exemption to these limits as defined in the Annexes of Directive 2000/53/EC (ELV). Regarding the REACH Regulation, the information TE provides on SVHC in articles for this part number is based on the latest European Chemicals Agency (ECHA) 'Guidance on requirements for substances in articles' posted at this URL: <https://echa.europa.eu/guidance-documents/guidance-on-reach>

Compatible Parts




TE Model / Part # CAT-ST833-R2435
DIMMING RECEPTACLE, ROTATABLE



TE Model / Part # CAT-ST833-R2435A
DIMMING RECEPTACLE



TE Model / Part # CAT-ST833-P5663
PHOTO CONTROL COVER




TE Model / Part # CAT-ST833-L97A
Tool-Less Rotatable Dimming Receptacle



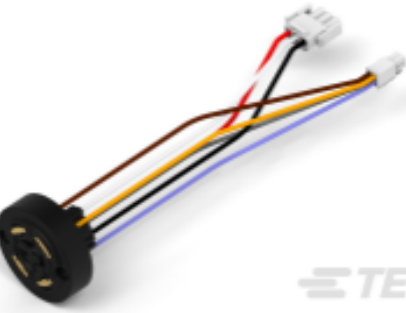
TE Model / Part # 2338716-2
LUMAWISE ENDURANCE N DOME, 81MM DIA, MED



TE Model / Part # 2306130-2
COVER, LIGHT CONTROLLER, 81MM DIA., MED



TE Model / Part # 2310878-1
PHOTO CONTROL BASE ASSEMBLY, 5 POSITION



TE Model / Part # 1-2213785-1
RCPT ASSY,DIM PHOTO,105C,3/2, CONNECTORS




TE Model / Part # 1-2338716-1
LUMAWISE ENDURANCE N COVER, 81MM DIA,MED



TE Model / Part # 2213899-1
Rcpt Assy,Dimmable Photocontrol, 150C,3/2




TE Model / Part # 2313899-3
Rcpt Assy,Dimmable Photocontrol, 105C,3/2



TE Model / Part # 2314670-1
Rcpt Assy,Dimmable Photocontrol, 150C,3/2




TE Model / Part # 2338716-1
LUMAWISE ENDURANCE N COVER, 81MM DIA,MED



TE Model / Part # 1-2213362-3
Rcpt Assy,Dimmable Photocontrol, 105C,3/2



TE Model / Part # 2315539-2
COVER, LIGHT CONTROLLER, 81MM DIA., 62MM




TE Model / Part # 1-2213362-1
Rcpt Assy,Dimmable Photocontrol, 150C,3/2


Also in the Series | LUMAWISE Endurance N



NEMA Base AC/DC Power Management(6)

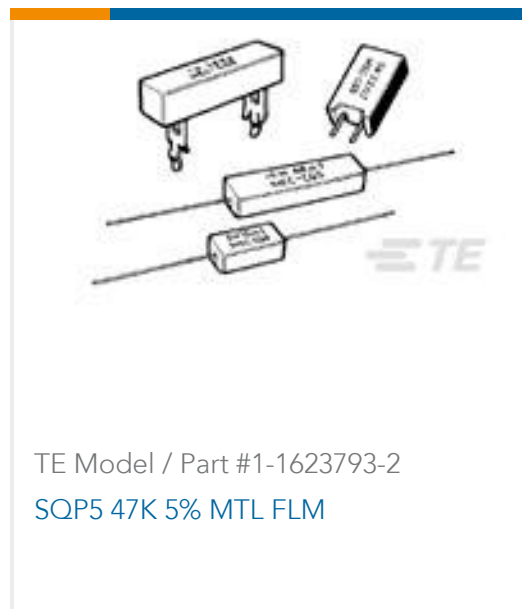


NEMA/ANSI Street Light Controls(34)



NEMA/ANSI Street Light Receptacles (27)

Customers Also Bought



TE Model / Part #1-1623793-2
SQP5 47K 5% MTL FLM



TE Model / Part #9-1879510-2
CRGH0805 1% 10K2 0.33W



TE Model / Part #1-2328823-3
LUMAWISE S 80MM DIA DOME
CLEAR TALL



TE Model / Part #1-2336396-2
ASSEMBLY, LIGHT CONTROLLER
BASE, W/VENT



TE Model / Part #7-1879496-1
CRGH0805 5% 10M 0.33W



TE Model / Part #2-2176304-3
RP 1E 0.1W 16R9 0.1% 25PPM 5K RL

Documents

Product Drawings

[LIGHT CONTROLLER BASE ASSY,81MM DIA,5POS](#)

English

CAD Files

[3D PDF](#)

3D

Customer View Model

[ENG_CVM_CVM_1-2213871-2_A.2d_dxf.zip](#)

English

Customer View Model

[ENG_CVM_CVM_1-2213871-2_A.3d_igs.zip](#)

English

Customer View Model

[ENG_CVM_CVM_1-2213871-2_A.3d_stp.zip](#)

English

By downloading the CAD file I accept and agree to the [Terms and Conditions](#) of use.

Datasheets & Catalog Pages

[LUMAWISE STREET LIGHT DIMMING AND CONTROL QUICK REFERENCE GUIDE](#)

English

[LUMAWISE ENDURANCE N CONTROL BASE, SLEEVE AND COVER](#)

English

[LUMAWISE ENDURANCE N CONTROL BASE, SLEEVE AND COVER](#)

Product Specifications



Application Specification

English

Agency Approvals

Dimmable Photocontrol CB Certificate

English