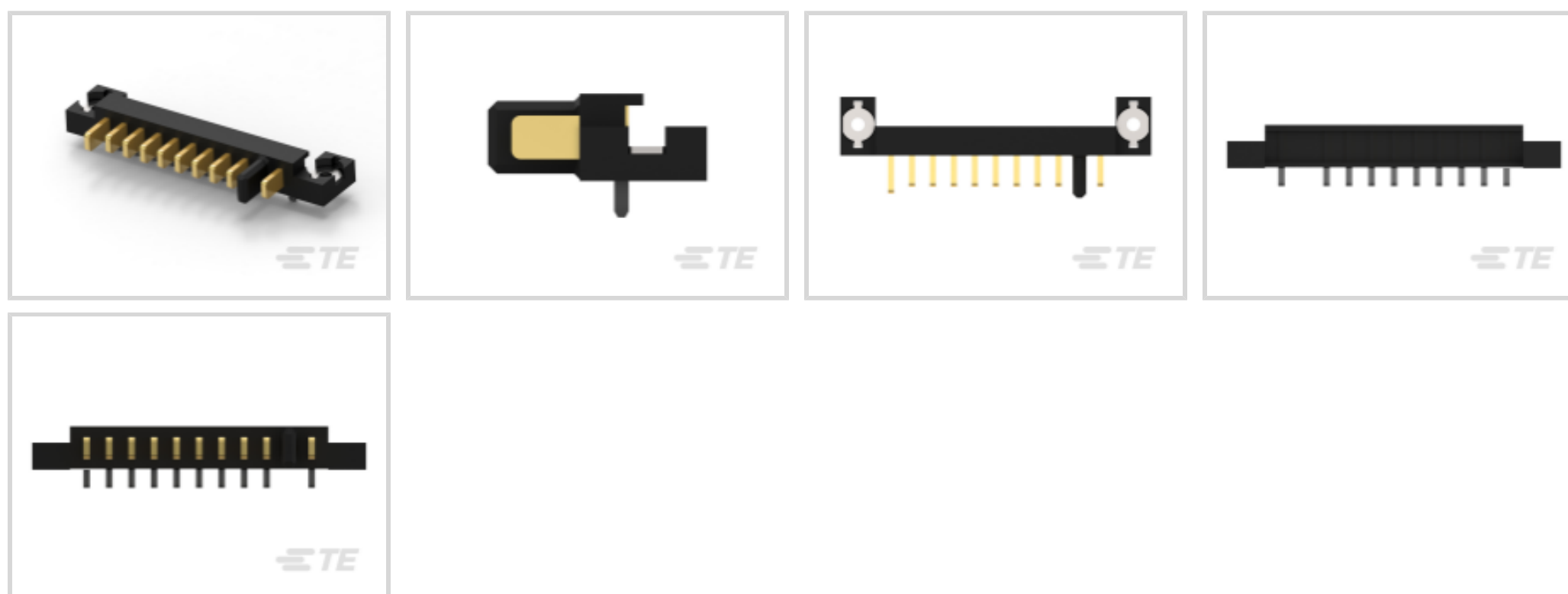




TE Internal #: 1123684-7
 DC Jack Connectors, Board-to-Board, 10 Position, 2.5mm [.098in]
 Centerline, Plug, 30VDC Operating Voltage, Right Angle, Printed
 Circuit Board

[View on TE.com >](#)

Connectors > PCB Connectors > Battery Connectors & Holders > DC Jack Connectors



Connector System: **Board-to-Board**
 Number of Positions: **10**
 Centerline (Pitch): **2.5 mm [.098 in]**
 Connector & Housing Type: **Plug**
 Operating Voltage: **30 VDC**

Features

Product Type Features

Connector System	Board-to-Board
Connector & Housing Type	Plug
Sealable	No
Connector & Contact Terminates To	Printed Circuit Board

Configuration Features

Number of Positions	10
PCB Mount Orientation	Right Angle

Electrical Characteristics

Operating Voltage	30 VDC
-------------------	--------

Contact Features

Contact Current Rating (Max)	6 A
------------------------------	-----

Mechanical Attachment

PCB Mount Retention	With
PCB Mount Retention Type	Locating Post



Connector Mounting Type	Board Mount
-------------------------	-------------

Housing Features

Centerline (Pitch)	2.5 mm [.098 in]
--------------------	------------------

Usage Conditions

Operating Temperature Range	-20 – 80 °C [-4 – 176 °F]
-----------------------------	---------------------------

Operation/Application

Circuit Application	Power & Signal
---------------------	----------------

Packaging Features

Packaging Quantity	50
--------------------	----

Packaging Method	Tray
------------------	------

Product Compliance

[For compliance documentation, visit the product page on TE.com>](#)

EU RoHS Directive 2011/65/EU	Compliant
------------------------------	-----------

EU ELV Directive 2000/53/EC	Compliant
-----------------------------	-----------

China RoHS 2 Directive MIIT Order No 32, 2016	No Restricted Materials Above Threshold
---	---

EU REACH Regulation (EC) No. 1907/2006	Current ECHA Candidate List: JUN 2020 (209) Candidate List Declared Against: JUN 2018 (191) Does not contain REACH SVHC
--	---

Halogen Content	Low Halogen - Br, Cl, F, I < 900 ppm per homogenous material. Also BFR/CFR/PVC Free
-----------------	---

Solder Process Capability	Wave solder capable to 265°C
---------------------------	------------------------------

Product Compliance Disclaimer

This information is provided based on reasonable inquiry of our suppliers and represents our current actual knowledge based on the information they provided. This information is subject to change. The part numbers that TE has identified as EU RoHS compliant have a maximum concentration of 0.1% by weight in homogenous materials for lead, hexavalent chromium, mercury, PBB, PBDE, DBP, BBP, DEHP, DIBP, and 0.01% for cadmium, or qualify for an exemption to these limits as defined in the Annexes of Directive 2011/65/EU (RoHS2). Finished electrical and electronic equipment products will be CE marked as required by Directive 2011/65/EU. Components may not be CE marked. Additionally, the part numbers that TE has identified as EU ELV compliant have a maximum concentration of 0.1% by weight in homogenous materials for lead, hexavalent chromium, and mercury, and 0.01% for cadmium, or qualify for an exemption to these limits as defined in the Annexes of Directive 2000/53/EC (ELV). Regarding the REACH Regulation, the information TE provides on SVHC in articles for this part number is based on the latest European Chemicals Agency (ECHA) 'Guidance on requirements for substances in articles' posted at this URL: <https://echa.europa.eu/guidance-documents/guidance-on-reach>

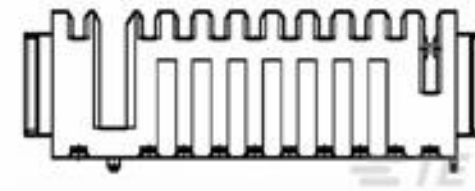
Compatible Parts



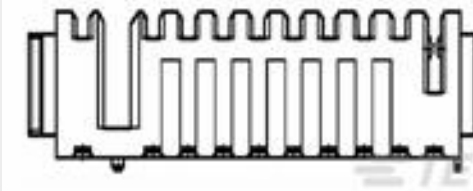

TE Model / Part # 1674231-1
2.5MM PITCH HIGH CURRENT BATTE



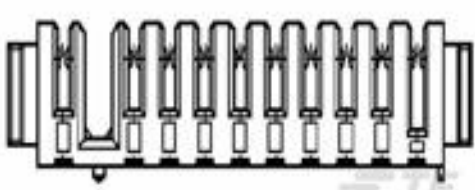
TE Model / Part # 1612964-4
2MM PITCH BATTERY REC. ASSY 10



TE Model / Part # 1-1123688-7
RECEPTACLE ASSY.10POS, 2.5MM PITCH BATTE



TE Model / Part # 1123688-7
2.5 BATTERY CONN REC 10P



TE Model / Part # 1565860-1
2.5MM PITCH BATTERY CONNECTOR,



TE Model / Part # 1123688-3
2.5 BATTERY REC ASSY 6P




TE Model / Part # 1-1473776-7
2.5MM PITCH BATTERY REC ASSEMBLY SMT TYP



TE Model / Part # 1123738-7
2.5 BATTERY CONN PLUG 10P



TE Model / Part # 1473539-7
2.5 BATTERY PLUG ASSY 10P




TE Model / Part # 1473776-7
2.5MM BATTERY REC ASSEMBLY



TE Model / Part # 1565596-1
PLUG ASSY FOR 2.5MM PITCH BATT



TE Model / Part # 1674999-1
PLUG ASSY,2.5MM PITCH BATTERY



TE Model / Part # 1717712-1
2.5MM PITCH BATTERY PLUG ASSY OFF-SET TY

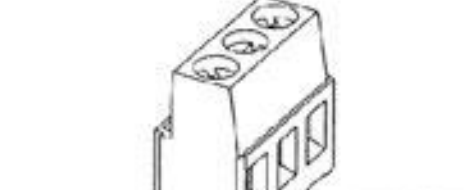


TE Model / Part # 1827622-2
2mm pitch Battery Rec. Assy 10Pos.

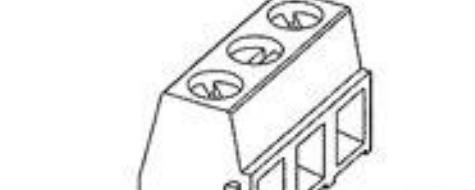
Customers Also Bought



TE Model / Part #1674231-1
2.5MM PITCH HIGH CURRENT BATTE



TE Model / Part #282856-2
TERMI-BLOK PCB MOUNT 2P



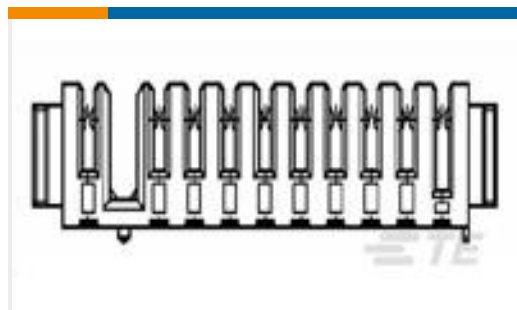
TE Model / Part #1546217-2
TERMI-BLOK PCB MOUNT 90 2P.



TE Model / Part #1-1674231-1
2.5MM PITCH BATTERY REC ASSEMBLY DIP TYP



TE Model / Part #2132415-3
EP2.5 Shrouded HDR ASSY 3P VERT w /o boss



TE Model / Part #1-1473776-7
2.5MM PITCH BATTERY REC ASSEMBLY SMT TYP



TE Model / Part #2328702-4
4PIN 0.5MMP FPC CONNECTOR, BACK FLIP LOCK

Documents

Product Drawings

2.5 BATTERY CONN PLUG 10P STD

English

CAD Files

3D PDF

English

Customer View Model

[ENG_CVM_1123684-7_C.2d_dxf.zip](#)

English

Customer View Model

[ENG_CVM_1123684-7_C.3d_igs.zip](#)

English

Customer View Model

[ENG_CVM_1123684-7_C.3d_stp.zip](#)

English

By downloading the CAD file I accept and agree to the [Terms and Conditions](#) of use.

Datasheets & Catalog Pages

POWER_CONNECTORS_CATALOG_SEC09_LAPTOPS_PORTABLES

English

[2_PIECE_POWER_CONNECTORS_qrg_4-1773458-1](#)

English

Product Specifications

Product Specification

English