

40521 ✓ ACTIVE

TE Internal #: 40521

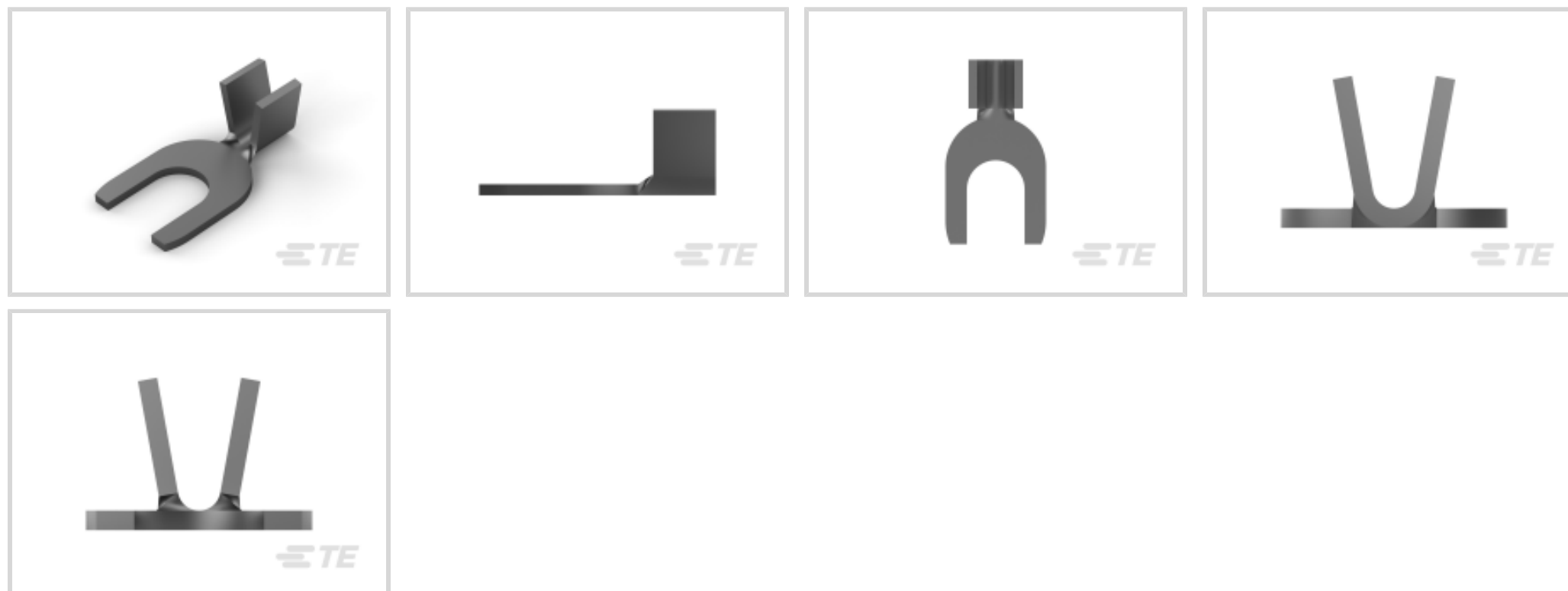
Rings & Spades, Spade Tongue, 18 – 14AWG Wire Size, .8 – 2mm²

Wire Size, 1624 – 4106CMA Wire Size, #10, Stud Diameter 5 mm [.19 in]

[View on TE.com >](#)



Terminals & Splices > Rings & Spades



Terminal & Splice Type: **Spade Tongue**

Wire Size: **1624 – 4106 CMA**

Stud Size: **#10**

Features

Product Type Features

Shape Description	Round Spade
Stud Size	#10
Barrel Type	Open Barrel
Sealable	No
Insulated	No
Wire/Cable Type	Regular Wire
Support Style	Non - Insulation Support

Configuration Features

Terminal Angle	Straight
----------------	----------

Body Features

Inspection Slot	No
Weight per Piece	.864 g
Plating Material	Tin

Contact Features

Contact Base Material	Brass
Terminal & Splice Type	Spade Tongue



Terminal Orientation	Straight
Underplating Material	None

Mechanical Attachment

Wire Insulation Support	Without
-------------------------	---------

Dimensions

Wire Size	1624 – 4106 CMA
Stud Diameter	5 mm [.19 in]
Tongue Thickness	.76 mm [.03 in]
Overall Length	15.95 mm [.628 in]
Barrel Inside Diameter	1.65 mm [.065 in]

Usage Conditions

Operating Temperature Range	-40 – 110 °C [-40 – 230 °F]
-----------------------------	-----------------------------

Operation/Application

Heavy Duty	No
------------	----

Industry Standards

Government Qualified	No
----------------------	----

Packaging Features

Packaging Quantity	10000
Packaging Method	Strip/Reel

Product Compliance

[For compliance documentation, visit the product page on TE.com>](#)

EU RoHS Directive 2011/65/EU	Compliant
EU ELV Directive 2000/53/EC	Compliant
China RoHS 2 Directive MIIT Order No 32, 2016	No Restricted Materials Above Threshold
EU REACH Regulation (EC) No. 1907/2006	Current ECHA Candidate List: JUN 2020 (209) Candidate List Declared Against: JAN 2020 (205) Does not contain REACH SVHC
Halogen Content	Low Halogen - Br, Cl, F, I < 900 ppm per homogenous material. Also BFR/CFR/PVC Free
Solder Process Capability	Not applicable for solder process capability



Product Compliance Disclaimer

This information is provided based on reasonable inquiry of our suppliers and represents our current actual knowledge based on the information they provided. This information is subject to change. The part numbers that TE has identified as EU RoHS compliant have a maximum concentration of 0.1% by weight in homogenous materials for lead, hexavalent chromium, mercury, PBB, PBDE, DBP, BBP, DEHP, DIBP, and 0.01% for cadmium, or qualify for an exemption to these limits as defined in the Annexes of Directive 2011/65/EU (RoHS2). Finished electrical and electronic equipment products will be CE marked as required by Directive 2011/65/EU. Components may not be CE marked. Additionally, the part numbers that TE has identified as EU ELV compliant have a maximum concentration of 0.1% by weight in homogenous materials for lead, hexavalent chromium, and mercury, and 0.01% for cadmium, or qualify for an exemption to these limits as defined in the Annexes of Directive 2000/53/EC (ELV). Regarding the REACH Regulation, the information TE provides on SVHC in articles for this part number is based on the latest European Chemicals Agency (ECHA) 'Guidance on requirements for substances in articles' posted at this URL: <https://echa.europa.eu/guidance-documents/guidance-on-reach>

Compatible Parts



TE Model / Part # 2-2150644-1
OCEAN_2.0_Applicator-E-140F



TE Model / Part # 2-2150644-2
OCEAN_2.0_Applicator-E-140FA



TE Model / Part # 2150644-1
OCEAN_2.0_Applicator-E-140F



TE Model / Part # 2150644-2
OCEAN_2.0_Applicator-E-140FA

Customers Also Bought



TE Model / Part #62021-3
FASTON .250 FLAG REC 12-10 AWG
TPBR



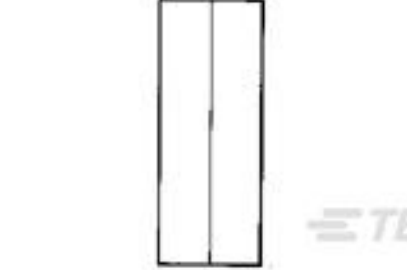
TE Model / Part #40977
RING TERMINAL 18-14 AWG TPBR



TE Model / Part #61177-2
FASTON 250 FLAG REC 18-12 AWG
PTPBR



TE Model / Part #42799-2
FASTON 187 RECEPTACLE 20-16
AWG TPBR



TE Model / Part #322276
SPLICE,SOLIS PARA 300-350MCM



TE Model / Part #60733-1
PIN .090 RECEPTACLE TPPHBZ



TE Model / Part #62008-1
BRUSH CONTACT TAB 20-14 AWG
PHBZ



TE Model / Part #60744-2
RING CRIMP 18-14 AWG TPBR



TE Model / Part #240651-2
BLADE, SLUG



TE Model / Part #62757-1
225 DIA PIN 18-14 016BR

Documents

Product Drawings

SPADE TERMINAL 18-14 AWG TPBR

English

CAD Files

3D PDF

3D

Customer View Model

[ENG_CVM_CVM_40521_AG_c-40521-ag.2d_dxf.zip](#)

English

Customer View Model

[ENG_CVM_CVM_40521_AG_c-40521-ag.3d_igs.zip](#)

English

Customer View Model

[ENG_CVM_CVM_40521_AG_c-40521-ag.3d_stp.zip](#)

English

By downloading the CAD file I accept and agree to the [Terms and Conditions](#) of use.

Product Specifications

Engineering Report

English

Product Environmental Compliance

TE Material Declaration

English

Agency Approvals

UL Report

English