

824-AG31D ✓ ACTIVE

DIPLOMATE | DIPLOMATE 800 Series

TE Internal #: 8-1437537-9

DIPLOMATE 800 Series, DIP Sockets, Screw Machine, 24 Position, Standard Connector Profile, Row-to-Row Spacing .3 in [7.62 mm], Vertical, Straight

[View on TE.com >](#)



Connectors > Socket Connectors > IC Sockets > DIP Sockets



Contact Fabrication: **Screw Machine**

Number of Positions: **24**

Connector Profile: **Standard**

Row-to-Row Spacing: **7.62 mm [.3 in]**

PCB Mount Orientation: **Vertical**

Features

Product Type Features

Leg Style	Straight
Connector & Contact Terminates To	Printed Circuit Board
Product Type	Socket

Configuration Features

Number of Positions	24
PCB Mount Orientation	Vertical
Number of Rows	2

Electrical Characteristics

Contact Resistance	10 mΩ
Insulation Resistance	5000 MΩ

Body Features

Sleeve Material	Brass
Sleeve Plating Material	Tin-Lead
Frame Style	Ladder, Open
Connector Profile	Standard

Contact Features

Socket Style	Standard
Mating Contact Type	Four-Fingered

PCB Contact Termination Area Plating Material	Tin-Lead
Contact Base Material	Beryllium Copper
Contact Fabrication	Screw Machine
Contact Mating Area Plating Material	Gold
	25 μ m
Contact Current Rating (Max)	3 A
Socket Type	DIP
Contact Type	Pin

Termination Features

Termination Method to Printed Circuit Board	Through Hole - Solder
Termination Post Length	3.18 mm [.125 in]

Mechanical Attachment

PCB Mount Retention	Without
Connector Mounting Type	Board Mount
Mating Alignment Type	Polarization
Mating Alignment	With

Housing Features

Centerline (Pitch)	2.54 mm [.1 in]
Housing Material	Polyester

Dimensions

Height Above PC Board	2.67 mm [.105 in]
Row-to-Row Spacing	7.62 mm [.3 in]
	1.2 in

Usage Conditions

Operating Temperature Range	-55 – 125 °C [-67 – 257 °F]
-----------------------------	-----------------------------

Operation/Application

Circuit Application	Signal
---------------------	--------

Industry Standards

UL Flammability Rating	UL 94V-0
------------------------	----------

Packaging Features

Packaging Method	Box & Tube, Tube
Packaging Quantity	20



Product Compliance

[For compliance documentation, visit the product page on TE.com>](#)

EU RoHS Directive 2011/65/EU	Not Compliant
EU ELV Directive 2000/53/EC	Not Compliant
China RoHS 2 Directive MIIT Order No 32, 2016	Restricted Materials Above Threshold
EU REACH Regulation (EC) No. 1907/2006	Current ECHA Candidate List: JUN 2020 (209) Candidate List Declared Against: JAN 2020 (205) Pb (13% in Component Part) Article Safe Usage Statements: Do not eat, drink or smoke when using this product. Wash thoroughly after handling. Recycle if possible and dispose of the article by following all applicable governmental regulations relevant to your geographic location.
Halogen Content	Not Low Halogen - contains Br or Cl > 900 ppm.
Solder Process Capability	Wave solder capable to 265°C

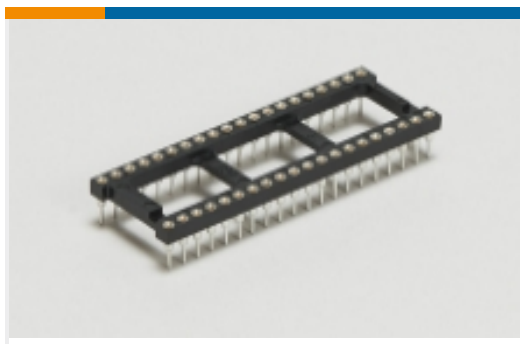
Product Compliance Disclaimer

This information is provided based on reasonable inquiry of our suppliers and represents our current actual knowledge based on the information they provided. This information is subject to change. The part numbers that TE has identified as EU RoHS compliant have a maximum concentration of 0.1% by weight in homogenous materials for lead, hexavalent chromium, mercury, PBB, PBDE, DBP, BBP, DEHP, DIBP, and 0.01% for cadmium, or qualify for an exemption to these limits as defined in the Annexes of Directive 2011/65/EU (RoHS2). Finished electrical and electronic equipment products will be CE marked as required by Directive 2011/65/EU. Components may not be CE marked. Additionally, the part numbers that TE has identified as EU ELV compliant have a maximum concentration of 0.1% by weight in homogenous materials for lead, hexavalent chromium, and mercury, and 0.01% for cadmium, or qualify for an exemption to these limits as defined in the Annexes of Directive 2000/53/EC (ELV). Regarding the REACH Regulation, the information TE provides on SVHC in articles for this part number is based on the latest European Chemicals Agency (ECHA) 'Guidance on requirements for substances in articles' posted at this URL: <https://echa.europa.eu/guidance-documents/guidance-on-reach>

Compatible Parts

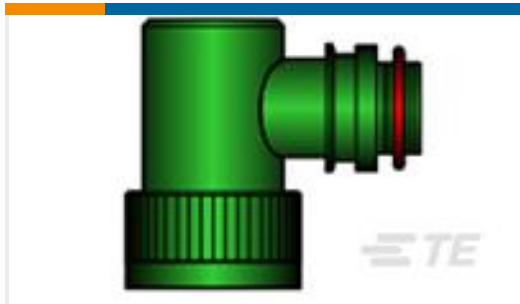


Also in the Series | [DIPLOMATE 800 Series](#)

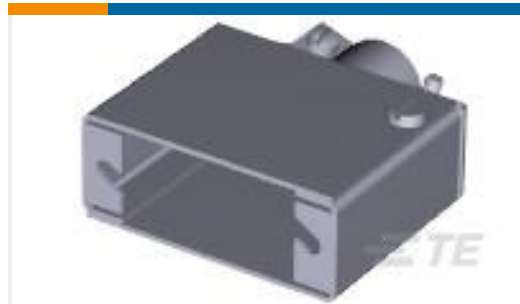


DIP Sockets(59)

Customers Also Bought



TE Model / Part #950825-000
TXR40AB90-2210AI



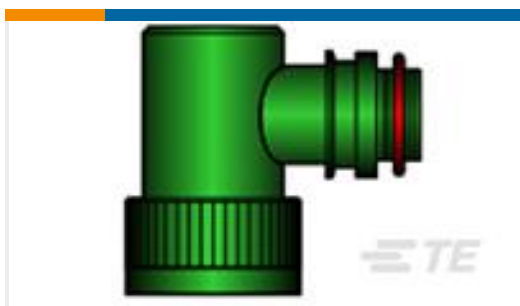
TE Model / Part #200514-2
SHIELD ASSM.



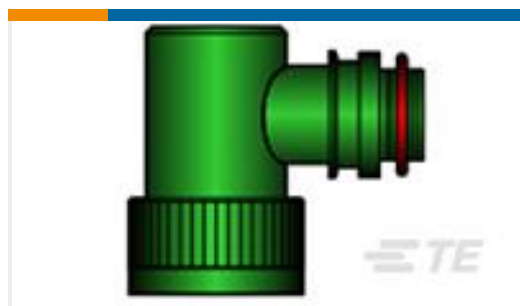
TE Model / Part #6-1437537-6
820-AG11D=SOCKET ASSY



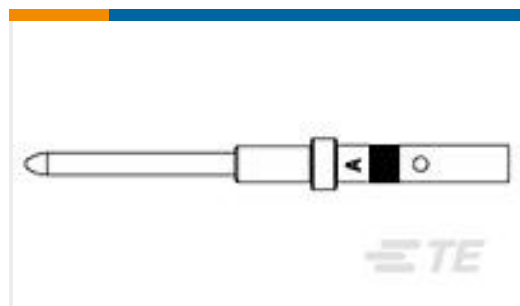
TE Model / Part #3-1437538-0
840-AG11D=SOCKET ASSY



TE Model / Part #430225-000
TXR40AB90-2420AI



TE Model / Part #480961-000
TXR40AB90-2014AI



TE Model / Part #1738007-1
PIN CONT,SIZE 22,GPR

Documents

Product Drawings

[824-AG31D=SOCKET ASSY](#)

English

CAD Files

[3D PDF](#)

3D

Customer View Model

[ENG_CVM_CVM_8-1437537-9_E.2d_dxf.zip](#)

English

Customer View Model

[ENG_CVM_CVM_8-1437537-9_E.3d_igs.zip](#)

English

Customer View Model

[ENG_CVM_CVM_8-1437537-9_E.3d_stp.zip](#)

English

By downloading the CAD file I accept and agree to the [Terms and Conditions](#) of use.



Product Environmental Compliance

TE Material Declaration

English